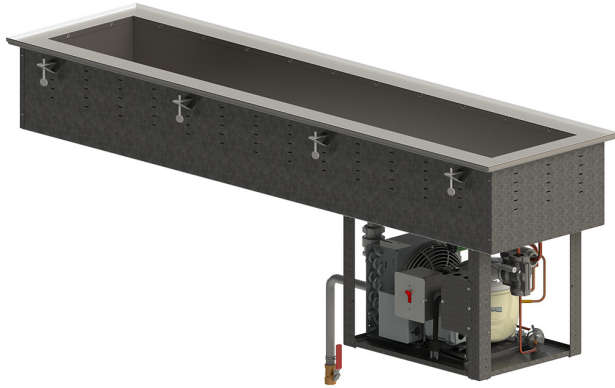




Project:
Item Number:
Quantity:

STANDARD REFRIGERATED SHORT SIDE COLD PAN DROP-IN



ITEMS

Item No.	Description
FC-4CS-02120-R	Two Pan
FC-4CS-03120-R	Three Pan
FC-4CS-04120-R	Four Pan

FEATURES

- Flange and fabricated well are 300 series stainless steel
- Uses R513A, a non-flammable low Global Warming Potential (GWP) refrigerant
- Designed for top-mount installation
- Includes gasket for under drip edge
- Includes standard mounting clips for use on counters up to 3" (7.6 cm) thick for easy installation
- Flat work surface around opening
- A full-perimeter drip edge contains spills and condensation within the stainless steel countertop area of the drop-in
- The deep well is designed to accommodate standard 12" x 20" (30.5 x 50.8 cm) pans with adaptor bars
- 1" (2.5 cm) integral drain
- Refrigeration coils surround the exterior side walls of well for maximum cooling
- High-density polyurethane foam insulation surrounds the exterior of the well to provide the most efficient performance and energy savings
- Condensing unit suspended below well
- Exterior housing is 20-gauge galvanized steel
- Remote On/Off switch with 4 ft. (122 cm) cord
- 6 ft. (183 cm) cord with plug, does not require hard wiring

DESCRIPTION

Vollrath's Standard Refrigerated Short Side Cold Pan Drop-ins hold pre-chilled cold food at proper serving temperature. Food pans can be turned sideways for a more narrow presentation.

For best performance, stainless steel containers are recommended.

Note: Drop-in orders cannot be canceled or returned.

False Bottom Options

Optional perforated false bottom is nominal 1" (2.5 cm) high and constructed of 18-gauge 300 series stainless steel. False bottom will reduce well depth by 1 inch.

Drop-In Model	False Bottom Model
FC-4CS-02120-R	70100 – Quantity 2
FC-4CS-03120-R	70100 – Quantity 3
FC-4CS-04120-R	70100 – Quantity 4

WARRANTY

All models shown come with Vollrath's standard warranty against defects in materials and workmanship. For full warranty details, please refer to www.Vollrath.com.

Modifying refrigeration parameters will void the warranty.

AGENCY LISTINGS



Note: Product has not been performance tested for potentially hazardous foods.

Due to continued product improvement, please consult www.vollrath.com for current product specifications.

CLEARANCE AND ENVIRONMENT REQUIREMENTS

- Zero clearance installation on all sides.
- Indoor use only. Room temperatures and HVAC can effect performance temperatures.
- For best performance, prevent drafts and room air currents from passing over the display surface.
- Requires a minimum of 80 square inches for fresh air intake and a minimum of 80 square inches for exhaust. See back page for details.

Approvals	Date



www.vollrath.com

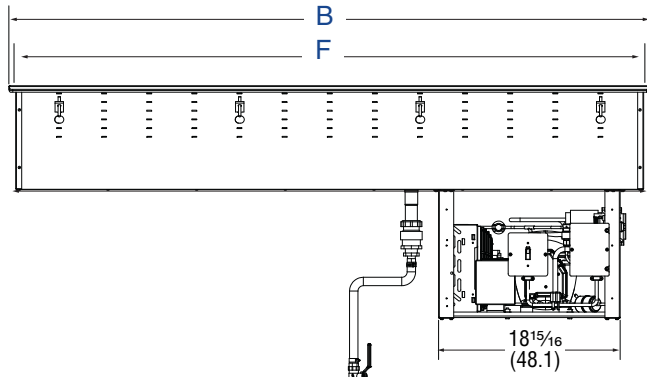
The Vollrath Company, L.L.C.

1236 North 18th Street
 Sheboygan, WI 53081-3201 U.S.A.
 Main Tel: 800.624.2051 or 920.457.4851
 Main Fax: 800.752.5620 or 920.459.6573
 Customer Service: 800.628.0830
 Canada Customer Service: 800.695.8560

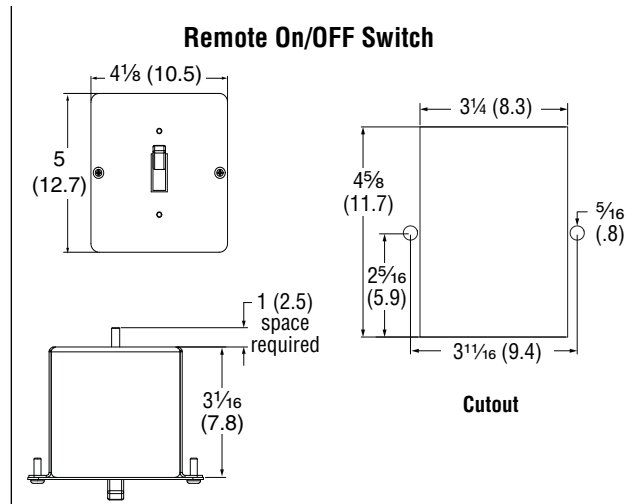
Technical Services
techservicereps@vollrathco.com
 Induction Products: 800.825.6036
 Countertop Warming Products: 800.354.1970
 All Other Products: 800.628.0832

STANDARD REFRIGERATED SHORT SIDE COLD PAN DROP-IN

DIMENSIONS (Shown in Inches (cm))

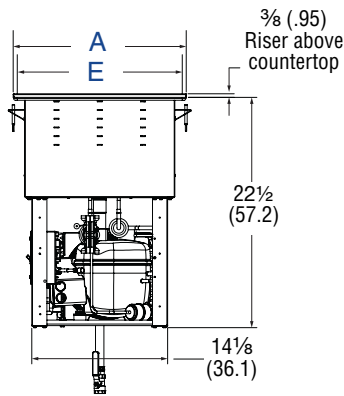


Front View



Remote On/OFF Switch

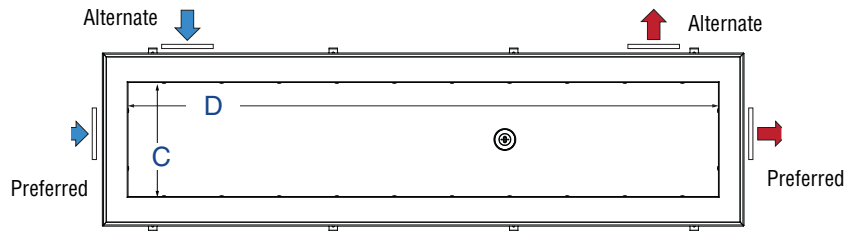
Cutout



Side View

VENTING REQUIREMENTS

Customer supplied louvers must be installed in surrounding cabinet to ensure adequate ventilation. One intake and one discharge louver are required. Preferred louver location is the short ends of the cabinet.

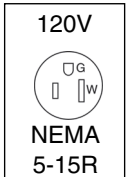


Top View

SPECIFICATIONS

Item No.	Pan Size	Dimensions						Louvers	Weight LB (Kg)	Comp. (HP)	Peak Heat of Rejection (BTUH)	Refrig. Charge	Volts	Hz	Amps	Plug	
		Overall		Inner		Drop-in Cutout											
		A	B	C	D	E	F										
FC-4CS-02120-R	Two		45 ⁷ / ₁₆ (115.4)		40 ³ / ₄ (103.5)		44 ¹ / ₁₆ (113.5)	8 x 10	106 (48)								
FC-4CS-03120-R	Three	18 (45.7)	66 ⁷ / ₈ (170)	11 ⁷ / ₈ (30.2)	61 ¹ / ₂ (156.2)	17 ⁵ / ₁₆ (44)	66 ¹ / ₈ (168)	(20.3 x 25.4)	126 (57)	1/5	2800	7 oz.	120	60	3.5	NEMA 5-15P	
FC-4CS-04120-R	Four		88 ⁵ / ₁₆ (224.2)		82 ¹ / ₄ (208.9)		87 ⁹ / ₁₆ (222.4)		150 (68)	1/3	4800				7.8		

Straight
Blade
Receptacle



NOTICE: Vollrath drop-ins are made to order and cannot be returned. It is the responsibility of the installer to ensure cut-outs on new installations are correct, or retrofit installation dimensions match up with Vollrath product dimensions. Vollrath will not guarantee that our models retrofit with specific competitive models (as competitive specifications can change without notice). We recommend countertop cut-outs be made after receipt of the Vollrath drop-in to ensure proper fit prior to cutting into countertop materials.

NOTICE: Do NOT modify the cord or plug. Modification may damage the drop-in or cause injury, and will void the warranty.



www.vollrath.com

The Vollrath Company, L.L.C.
 1236 North 18th Street
 Sheboygan, WI 53081-3201 U.S.A.
 Main Tel: 800.624.2051 or 920.457.4851
 Main Fax: 800.752.5620 or 920.459.6573
 Customer Service: 800.628.0830
 Canada Customer Service: 800.695.8560

Technical Services
 techservicereps@vollrathco.com
 Induction Products: 800.825.6036
 Countertop Warming Products: 800.354.1970
 All Other Products: 800.628.0832