



Outperform every day.™

Project:
Item Number:
Quantity:

Mirage® Standard Drop-in Induction Range

The Vollrath Company, L.L.C.

MIRAGE® STANDARD DROP-IN INDUCTION RANGE



Mirage® Standard Drop-in Induction Range

DESCRIPTION

The high-efficiency, standard drop-in induction range is designed for use in commercial kitchens and front-of-the-house cooking.

The ceramic top is easily cleaned with a mild cleaner.

The induction range is equipped with a variety of safety features including:

- Over-heat protection
- Small-article detection
- Pan auto-detection function
- Empty-pan shut-off

ITEMS

59501 Single Hob Drop-in Range (US/Canada)

FEATURES

- G4 engine for longer life
- Power and temperature control
- 100 power levels
- Temperature control in °F and °C
- Variable-speed knob for fast adjustment
- Fast, high temperature cooking
- Sensitive low-end control
- 180 minute timer
- 90% efficiency rating
- Control box displays HOT when drop-in is turned off if the top is still hot
- Digital display is easy to clean and read
- Drop-in has 6-ft. (183 cm) cord with plug
- Control box cable is 59 inches (1.5 meters)

NOTICE: This appliance is intended for use with induction-ready cookware.

WARRANTY

One year parts and labor. See Vollrath.com for full warranty details.

CLEARANCE AND ENVIRONMENT REQUIREMENTS

All models require unrestricted intake and exhaust air ventilation for proper operation of the controls. The maximum intake temperature must not exceed 110°F (43°C). Temperatures are measured in ambient air while all appliances in the kitchen are in operation.

Minimum Clearances:

- Sides: 2 inches (5.1 cm)
- Below: 12 inches (30.5 cm)

Agency Listings



This device complies with Part 18 FCC Rules.

Due to continued product improvement, please consult www.vollrath.com for current product specifications.

Approvals	Date



Outperform every day.™

www.vollrath.com

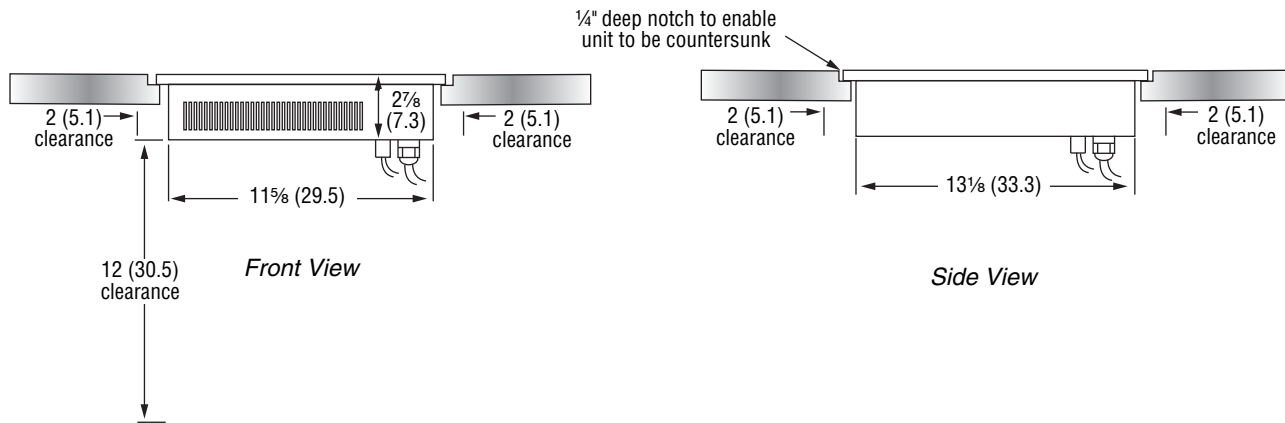
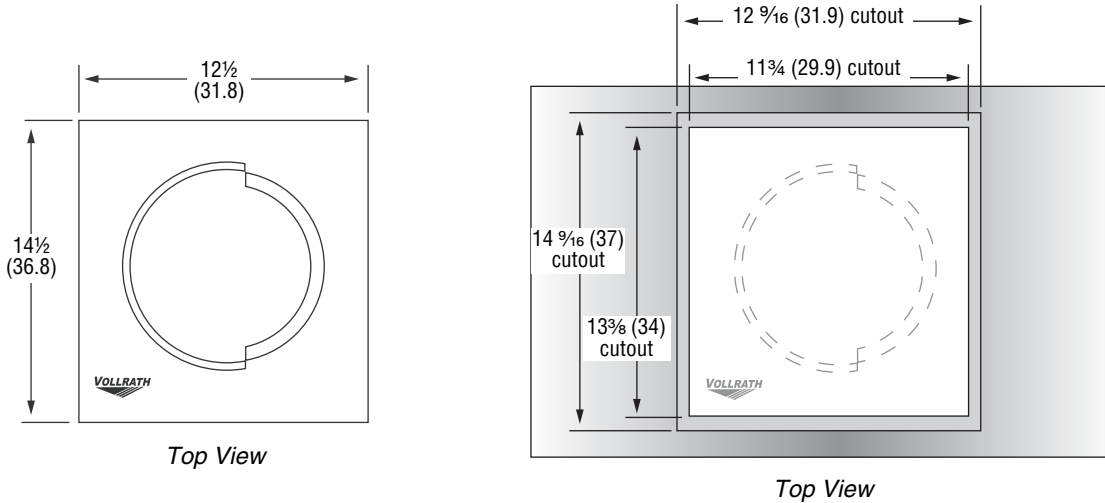
The Vollrath Company, L.L.C.

1236 North 18th Street
Sheboygan, WI 53081-3201 U.S.A.
Main Tel: 800.624.2051 or 920.457.4851
Main Fax: 800.752.5620 or 920.459.6573
Customer Service: 800.628.0830
Canada Customer Service: 800.695.8560

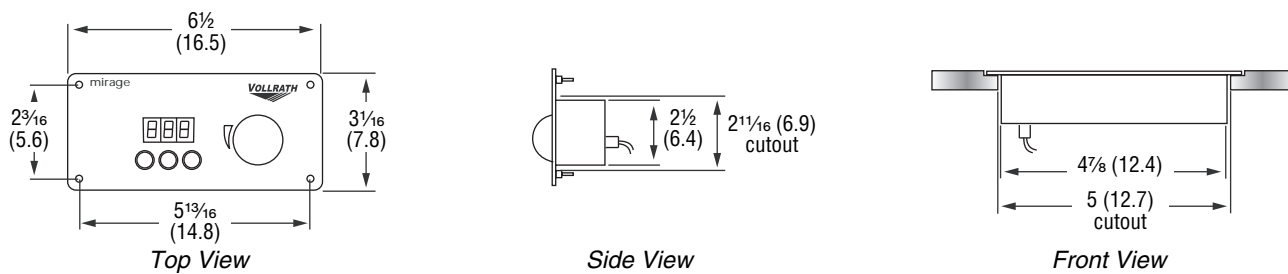
Technical Services
techservicereps@vollrathco.com
Induction Products: 800.825.6036
Countertop Warming Products: 800.354.1970
All Other Products: 800.628.0832

MIRAGE® STANDARD DROP-IN INDUCTION RANGE

DIMENSIONS (Shown in inches (cm))



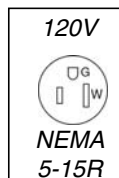
Control Box



SPECIFICATIONS

Item No.	Max Pan Size	Volts	Watts	Amps	Phase	Hz	Plug	Weight
59501	14 (35.6)	120	1400	12	Single	50/60	NEMA 5-15P	12 lbs (5.4 kg)

Receptacle



Outperform every day.™

www.vollrath.com

The Vollrath Company, L.L.C.

1236 North 18th Street
 Sheboygan, WI 53081-3201 U.S.A.
 Main Tel: 800.624.2051 or 920.457.4851
 Main Fax: 800.752.5620 or 920.459.6573
 Customer Service: 800.628.0830
 Canada Customer Service: 800.695.8560

Technical Services
techservicereps@vollrathco.com
 Induction Products: 800.825.6036
 Countertop Warming Products: 800.354.1970
 All Other Products: 800.628.0832