

Carts & Kiosks - Euro Style & Straight Mobile Bars

Contact Your Vollrath Sales Representative for Custom Carts & Kiosks!

Carts & Kiosks—Euro Style & Straight Mobile Bars

Option: Signage for wrap-style and tubular canopies. Vinyl graphics on ACM (artwork provided by customer)

Option: Countertop grommet holes

Item 75686 — 5' Euro Style Bar shown with modular options

Option: Base color option
 -laminated (one color) on 3 sides
 -painted base (one color) on 3 sides
 -digital graphics (artwork supplied by customer) on 3 sides

Standard: All aluminum composite material construction
 -Standard black or silver (specify)
 -Matching toe kick

Option: 1" (2.5cm) bumper (all sides)

Back view - 75686 — 5' Euro Style Bar shown with modular options

Standard: Polyform work and service counters

Standard: Heavy-duty casters

Standard: Open storage

Back view - 98744-5 — 5' Straight Style Bar shown with optional stainless steel speed rail

Standard Feature (Not Shown)

- Built in polyform speed rails

Optional Features (Not Shown)

- ACM wrap-style canopy with two adjustable poles (color matching base)
- Adjustable black plastic undercounter shelving
- Aluminum tubular canopy (bulkhead) with two adjustable poles (powder coated - color specified)
- Umbrella
- Track lighting for canopies (Requires at least 120V 15 AMP service)
 - 15 amp 120V electrical service (NEMA 5-15P)
 - 20 amp 120V electrical service (NEMA 5-20P)
 - 30 amp electrical service (NEMA #L14-30P)
 - 60 amp electrical service (plug #460P-12W)
 - 100 amp electrical service (plug#4100P-12W)

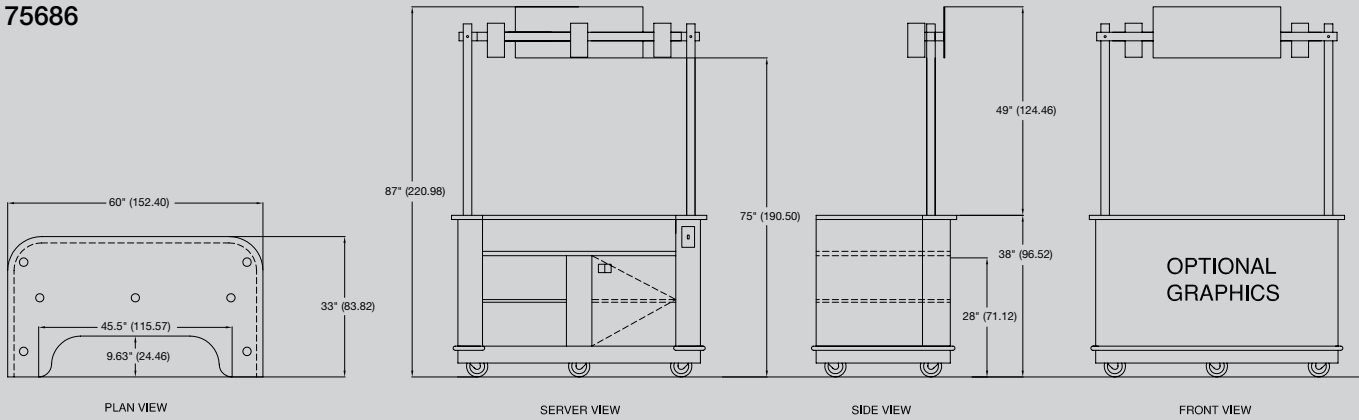


Setting the Standard™

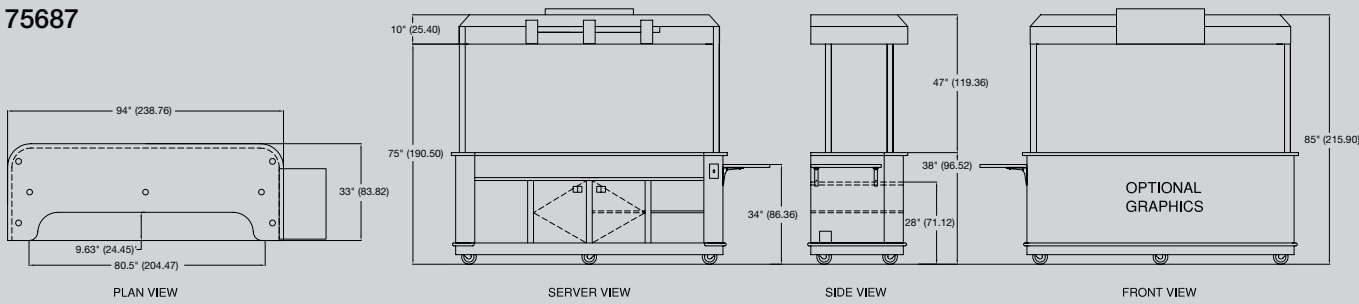
Carts & Kiosks - Euro Style & Straight Mobile Bars

Euro Style & Straight Mobile Bars — Dimensions shown in IN (CM)

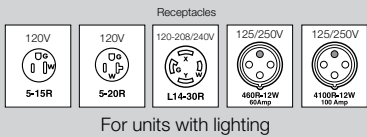
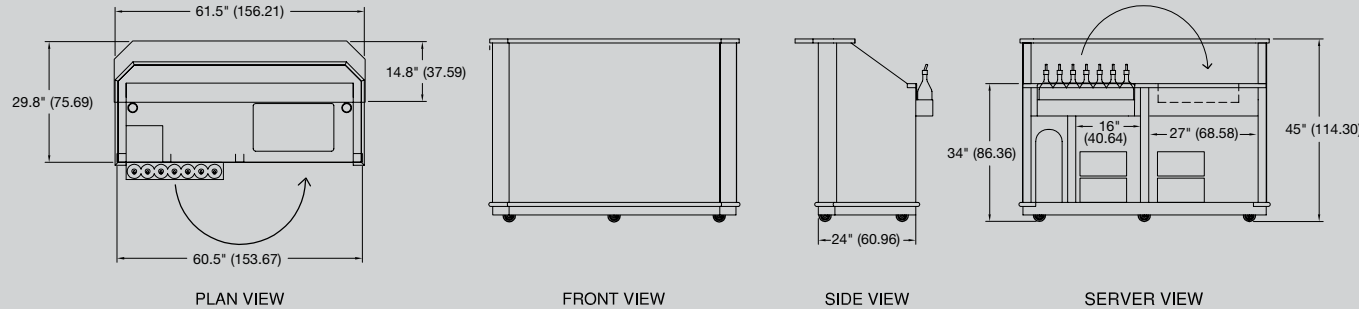
75686



75687



98744-5



The Vollrath Company, L.L.C.
 1236 North 18th Street
 Sheboygan, WI 53081-3201 USA
 Customer Service: 800.628.0830
 Equipment Service: 800.628.0832
 Main PH: 920.457.4851
 Fax: 920.459.6573
 Form L35699 Rev 4/09



Setting
the Standard™