



Outperform every day.™

Project:

Item Number:

Quantity:

INDUCTION UNDERCOUNTER WARMING KIT



Induction Undercounter Warming Kit

DESCRIPTION

Create beautiful serving stations with Vollrath's Induction Undercounter Warming Kits. The kits include Vollrath's Induction Drop-in Mirage® Warmer (item 5950145) and a ceramic template available in four colors. Kits are available in two sizes, with one or two induction warmers.

Templates install flush with countertops with the warmer mounted below. The kits are ideally suited for use in Vollrath V-Class, Milestone® or Signature Server® 2.0 serving equipment.

The induction warmer is equipped with a variety of safety features including:

- Over-heat protection
- Small-article detection
- Pan auto-detection function
- Empty-pan shut-off

Agency Listings



This device complies with Part 18 FCC Rules.

Due to continued product improvement, please consult www.vollrath.com for current product specifications.

ITEMS

- 5960820 Black Ceramic Template with 1 Warmer
- 5960845 Black Granite Ceramic Template with 1 Warmer
- 5960835 Bisque Granite Ceramic Template with 1 Warmer
- 5960810 White Granite Ceramic Template with 1 Warmer
- 5960920 Black Ceramic Template with 2 Warmers
- 5960945 Black Granite Ceramic Template with 2 Warmers
- 5960935 Bisque Granite Ceramic Template with 2 Warmers
- 5960910 White Granite Ceramic Template with 2 Warmers

INDUCTION WARMER FEATURES

- G4 engine for long life
- 5 power levels
- Variable speed knob for fast adjustment
- 180 minute timer
- 90% efficiency rating
- Control box displays HOT when turned off if the top is still hot
- Drop-in has 6-ft. (183 cm) cord with plug
- Control box cable is 59 inches (1.5 meters)

NOTICE: This appliance is intended for use with induction-ready cookware.

WARRANTY

One year parts and labor. See Vollrath.com for full warranty details.

CLEARANCE AND ENVIRONMENT REQUIREMENTS

All models require unrestricted intake and exhaust air ventilation for proper operation of the controls. The maximum intake temperature must not exceed 110°F (43°C). Temperatures are measured in ambient air while all appliances in the kitchen are in operation.

Minimum Clearances:

- Sides: 2 inches (5.1 cm)
- Below: 12 inches (30.5 cm)

TEMPLATE FEATURES

- 5/32" (4mm) thick ceramic works with induction-ready cookware
- Only the area directly under the cookware heats. Heat is not transferred to the rest of the template or adjacent surfaces.
- Black Ceramic template closely matches: Corian® Nonturque, Wilsonart® Black 1595-60, Zodiac® Mystic Black
- Black Granite template closely matches: Corian® Night Sky, Wilsonart® Luna Night 1854K-35, Zodiac® Galaxy Black, Zodiac® Licorice
- Bisque Granite template closely matches: Corian® Witch Hazel, Wilsonart® Fresco 4207-60, Zodiac® Crema Marfil
- White Granite template closely matches: Corian® Antartica, Wilsonart® Grey Pampas 4168-60, Zodiac® Cloud White

Approvals	Date



Outperform every day.™

www.vollrath.com

The Vollrath Company, L.L.C.

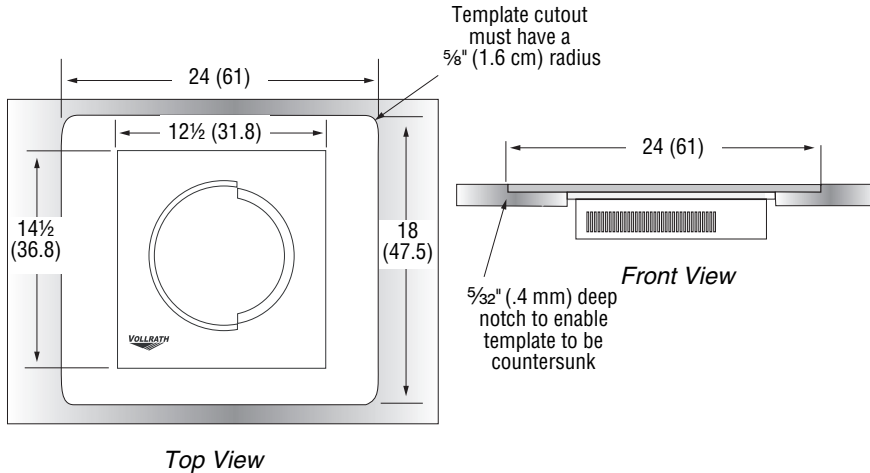
1236 North 18th Street
Sheboygan, WI 53081-3201 U.S.A.
Main Tel: 800.624.2051 or 920.457.4851
Main Fax: 800.752.5620 or 920.459.6573
Customer Service: 800.628.0830
Canada Customer Service: 800.695.8560

Technical Services

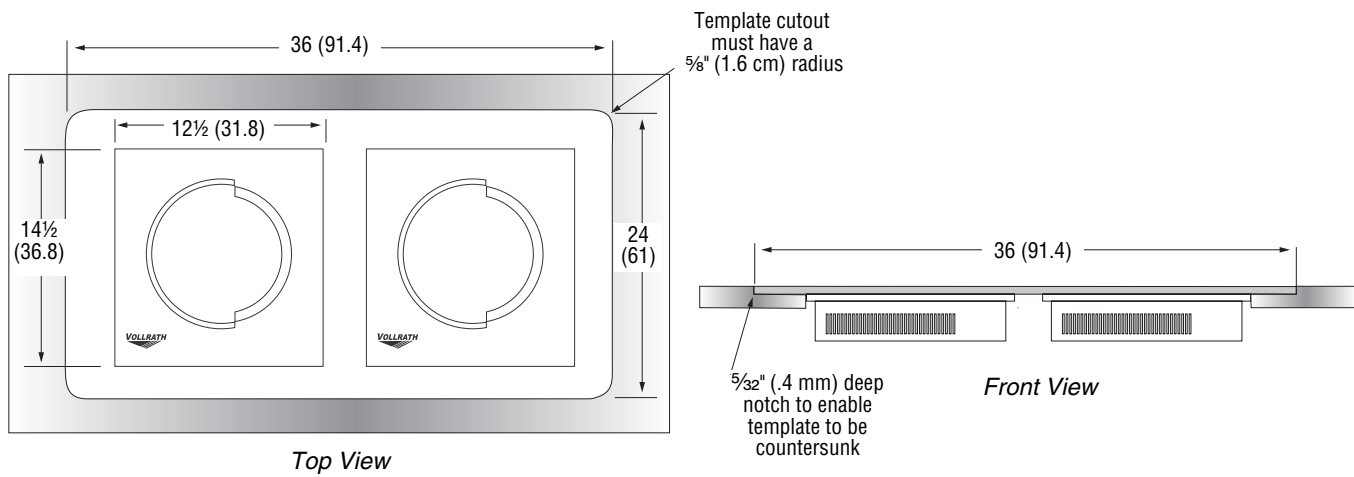
techservicereps@vollrathco.com
Induction Products: 800.825.6036
Countertop Warming Products: 800.354.1970
All Other Products: 800.628.0832

INDUCTION UNDERCOUNTER WARMING KIT

DIMENSIONS (shown in inches (cm))



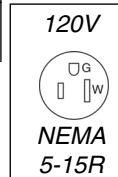
See specification sheet for 5950145 warmer for additional dimensions.



SPECIFICATIONS

Warmer	Description	Max Pan Size	Volts	Watts	Amps	Phase	Hz	Plug
5950145	Drop-In	14 (35.6)	120	450	3.8	Single	50/60	NEMA 5-15P

Receptacle



Kit	Description	Cutout (D x W)	Number of Zones	Number of Warmers	Kit	Description	Cutout (D x W)	Number of Zones	Number of Warmers
5960820	Black Ceramic	18½ x 24½ (46 x 61.3)	1	1	5960920	Black Ceramic	24½ x 36½ (61.3 x 91.8)	2	2
5960845	Black Granite				5960945	Black Granite			
5960835	Bisque Granite				5960935	Bisque Granite			
5960810	White Granite				5960910	White Granite			



Outperform every day.™

www.vollrath.com

The Vollrath Company, L.L.C.

1236 North 18th Street
 Sheboygan, WI 53081-3201 U.S.A.
 Main Tel: 800.624.2051 or 920.457.4851
 Main Fax: 800.752.5620 or 920.459.6573
 Customer Service: 800.628.0830
 Canada Customer Service: 800.695.8560

Technical Services
techservicereps@vollrathco.com
 Induction Products: 800.825.6036
 Countertop Warming Products: 800.354.1970
 All Other Products: 800.628.0832