



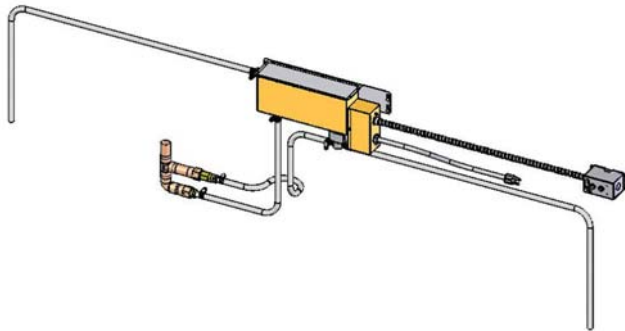
Outperform every day.™

Project:

Item Number:

Quantity:

### DROP-IN: AUTO-FILL OPTION



Auto-fill option

### DESCRIPTION

The auto-fill is a field-installed option that efficiently maintains a constant water level. Eliminates the need to monitor wells and add water, reducing operating and labor costs. It attaches easily to the manifold drain assembly using simple tools. The check valve/siphon prevents cross contamination of drain and potable water lines.

### MODELS

26806 Auto-fill accessory (US and Canada)

### FEATURES

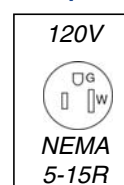
- Maintains constant water level
- Eliminates the need to monitor well and add water - reducing labor and operating costs
- Connects easily to manifold drain assembly with flexible tubing using simple tools
- Check valve/siphon brake prevents cross contamination of drain and potable water
- With manifold drain, flexible use with one or more hot wells (12 maximum) or multiple soup wells
- Adjustable water level
- Overflow connection provided
- Control box mounts inside base enclosure
- Power ON/OFF toggle switch
- Solenoid valve will close if power is interrupted
- Flexible hose supplied for all connections
- 6ft. cord and plug does not require hard wiring

**WARRANTY:** All models shown come with Vollrath's standard warranty against defects in materials and workmanship. For full warranty details, please refer to the Vollrath Equipment and Smallwares Catalog.

### SPECIFICATIONS

Item	Dimensions IN (CM)	Voltage	Watts	Max Water Pressure	Plug
26806	6 x 17 (15.2 x 43.2)	120	16	80 PSI	NEMA 5-15P

### Receptacle



### Agency Listings



Due to continued product improvement, please consult [www.vollrath.com](http://www.vollrath.com) for current product specifications.

Approvals	Date



Outperform every day.™

[www.vollrath.com](http://www.vollrath.com)

The Vollrath Company, L.L.C.  
1236 North 18th Street  
Sheboygan, WI 53081-3201 U.S.A.  
Customer Service: 800.628.0830  
Canada Customer Service: 800.695.8560  
Main Fax: 800.752.5620 or 920.459.6573

Technical Services: 800.628.0832  
Technical Services Fax: 920.459.5462