



Outperform every day.™

Project:
Item Number:
Quantity:

THREE WELL HOT MODULES



Item Numbers			Description	
Standard	Manifold	Manifold w/ Auto-Fill	Control	Voltage
1000 Watts Per Well				
3640401	3640451	3640461	Infinite	120
3640411	3640471	3640481	Thermostatic	
3640501	3640551	3640561	Infinite	208-240
3640511	3640571	3640581	Thermostatic	
625 Watts Per Well				
36404	3640450	3640460	Infinite	120
3640410	3640470	3640480	Thermostatic	
36405	3640550	3640560	Infinite	208
3640510	3640570	3640580	Thermostatic	
36473	3647350	3647360	Infinite	240
3647310	3647370	3647380	Thermostatic	

DESCRIPTION

Vollrath's three-well drop-ins keep hot foods at proper serving temperatures. They are designed for top-mount installation and do not require hard-wiring.

SHORT DESCRIPTION

Three-well hot-drop-in, flange and full-size wells, 300 series stainless steel, standard or manifold drains, insulated on all non-exposed sides, cord with plug, stainless steel remote control panel, mounting clips.

Note: Orders for drop-ins cannot be canceled or returned.

Note: Drop-in meets NSF4 performance standards only when using moist heat. Operation with water is required for even heating of the food product.

FEATURES

- Top flange and drawn well are 300 series stainless steel
- Include gasket for under drip edge
- Standard drain is ½" (1.3 cm) with individual well ball valves
- Manifold drain is 1" (2.5 cm) copper tubing with master manifold shut off
- Insulated on all sides, including between each well
- Includes 6' (1.8 m) cord with plug. Does not require hard-wiring
- Stainless steel control panel with individual controls and power indicator light for each well
- Control panel has 4' (121.9 cm) tethered connection for flexible mounting locations
- Includes standard mounting clips for use on counters up to 3" (7.6 cm) thick for easy installation
- Accepts full-size and fractional pans up to 6" (15.2 cm) deep
- Adapter bars are recommended when using fractional pans

WARRANTY

All models shown come with Vollrath's standard warranty against defects in materials and workmanship. For full warranty details, please refer to www.Vollrath.com.

ACCESSORIES

- Sheet pan adapter available. Item No. 19186.

CLEARANCE AND ENVIRONMENT REQUIREMENTS

- Zero-clearance installation
- Indoor use only. Room temperature and HVAC can effect performance temperatures

Agency Listings



Due to continued product improvement, please consult www.vollrath.com for current product specifications.

Approvals	Date



Outperform every day.™

www.vollrath.com

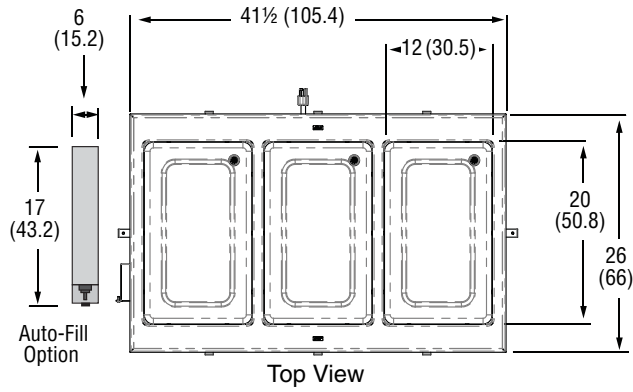
The Vollrath Company, L.L.C.

1236 North 18th Street
Sheboygan, WI 53081-3201 U.S.A.
Main Tel: 800.624.2051 or 920.457.4851
Main Fax: 800.752.5620 or 920.459.6573
Customer Service: 800.628.0830
Canada Customer Service: 800.695.8560

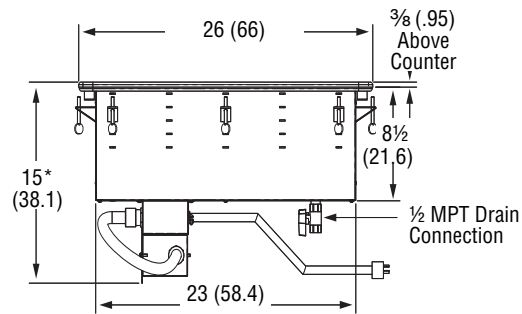
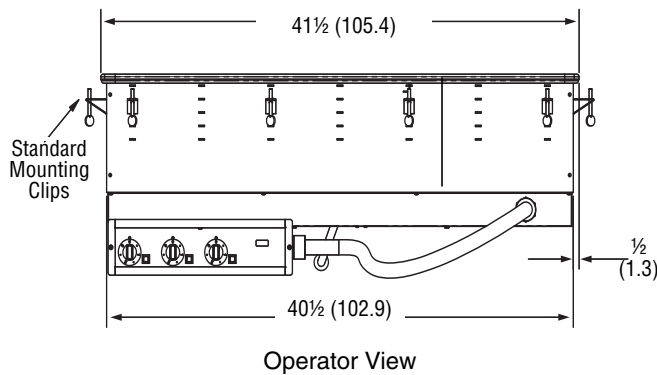
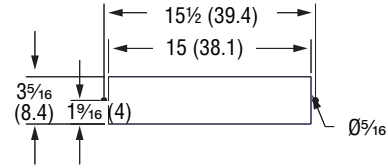
Technical Services
techservicereps@vollrathco.com
Induction Products: 800.825.6036
Countertop Warming Products: 800.354.1970
All Other Products: 800.628.0832

THREE WELL HOT MODULES

DIMENSIONS (Shown in inches (cm))



Control Panel Cutout

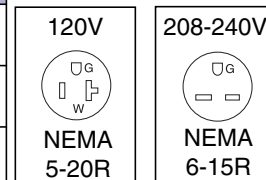
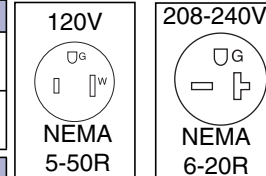


*Manifold drain adds 6 1/2 (16.5) to overall height

ELECTRICAL SPECIFICATIONS

Standard	Manifold	Manifold w/ Auto-Fill	Control	Cutout Dimension IN (CM)	Voltage	Amps	Plug
1000 Watts Per Well							
3640401	3640451	3640461	Infinite	40 3/4 x 25 1/4 (103.5)	120	25	NEMA 5-50P
3640411	3640471	3640481	Thermostatic				NEMA 6-20P
3640501	3640551	3640561	Infinite		208-240	10.8-12.5	NEMA 5-50R
3640511	3640571	3640581	Thermostatic				NEMA 6-20R
625 Watts Per Well							
36404	3640450	3640460	Infinite	40 3/4 x 25 1/4 (64.1)	120	15.6	NEMA 5-20P
3640410	3640470	3640480	Thermostatic				NEMA 6-15P
36405	3640550	3640560	Infinite		208	6.8	NEMA 5-20R
3640510	3640570	3640580	Thermostatic				NEMA 6-15R
36473	3647350	3647360	Infinite		240	7.8	NEMA 5-20R
3647310	3647370	3647380	Thermostatic				NEMA 6-15R

Straight Blade Receptacles



Note: Cutout must have a 7/8" (2.2 cm) corner radius.

NOTICE: Do NOT modify the cord or plug on the drop-in. Modifying any component may damage the drop-in or cause injury, and will void the warranty.



Outperform every day.™

www.vollrath.com

The Vollrath Company, L.L.C.

1236 North 18th Street
 Sheboygan, WI 53081-3201 U.S.A.
 Main Tel: 800.624.2051 or 920.457.4851
 Main Fax: 800.752.5620 or 920.459.6573
 Customer Service: 800.628.0830
 Canada Customer Service: 800.695.8560

Technical Services
techservicereps@vollrathco.com
 Induction Products: 800.825.6036
 Countertop Warming Products: 800.354.1970
 All Other Products: 800.628.0832