



Outperform every day.™

Project:
Item Number:
Quantity:

New York, New York® Drop-in Chafers

The Vollrath Company, L.L.C.

NEW YORK, NEW YORK® DROP-IN CHAFERS



46258



46268

ITEMS

Item No.	Description
46258	Rectangular Drop-in Chafer
46268	Round Drop-in Chafer

FEATURES

- 18/8 mirror-finished stainless channeled fully-retractable cover redistributes condensation from the cover to the dripless water pan. Removes easily for cleaning.
- Unique hinge assembly offers 3 positions: closed, 90 degree, and full open. Adjust with simple pressure, no levers or other mechanisms. Hinge assembly includes left and right hinge.
- Requires Vollrath Universal Electric Heater (sold separately). See below. Never use fuel cups under a countertop with drop-in chafers.
- Attached tray accepts Vollrath Universal Electric Heaters (sold separately). Universal heater does not connect to water pan, allowing water pan removal for draining and cleaning.

DESCRIPTION

The New York, New York® Drop-in Chafers are designed for use in dining room serving lines in either stationary or mobile serving equipment. Available in rectangular or round versions, covers are fully retractable allowing serving from both sides. They feature Vollrath's unique dripless water pan and channeled cover that keeps condensation away from the food and table top.

Vollrath New York, New York® Drop-in Chafers include:

- 18/8 stainless steel mirror-finished chafer
- 18/8 stainless steel dripless water pan with mirror-finished rim
- 18/8 stainless steel food pans
(Super Pan V™ in the rectangular chafers)
- Clips to attach the chafer to the bottom of the countertop
- An attached tray to hold Vollrath Universal Chafer Heaters

WARRANTY

All models shown come with Vollrath's standard warranty against defects in materials and workmanship. For full warranty details, please refer to www.Vollrath.com.

UNIVERSAL CHAFER HEATER (REQUIRED)

See the Universal Electric Chafer Heater specification sheet on Vollrath.com for chafer heater specifications.

- 46060 Universal Electric Chafer Heater, NEMA 5-15P
- 46110 Universal Electric Chafer Heater, Schuko
- 46115 Universal Electric Chafer Heater, UK

IMPORTANT INSTALLATION INSTRUCTIONS

- Always measure chafer upon arrival and mate with countertop before cutting the hole. Slight differences in dimensions with chafers can happen and it is best to mate the chafer to the actual installation.
- Reinforce countertops near the cutout (from below). This insures that the countertop remains flat and can support the chafer.
- Attach chafer to countertop using provided clips. From underside, remove 2 nuts under front chafer bracket. Slide clips on and reattach nuts. Use provided screws to anchor chafer to countertop. (Complete instructions provided with chafer).
- Drop-in chafers need access to an electrical outlet within 6 feet (183 cm) of the chafer heater.

Due to continued product improvement, please consult www.vollrath.com for current product specifications.

Approvals	Date



Outperform every day.™

www.vollrath.com

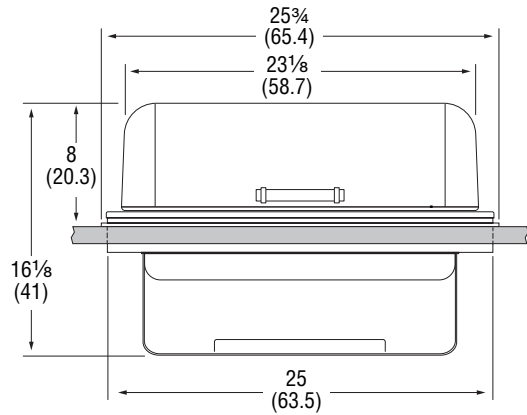
The Vollrath Company, L.L.C.

1236 North 18th Street
Sheboygan, WI 53081-3201 U.S.A.
Main Tel: 800.624.2051 or 920.457.4851
Main Fax: 800.752.5620 or 920.459.6573
Customer Service: 800.628.0830
Canada Customer Service: 800.695.8560

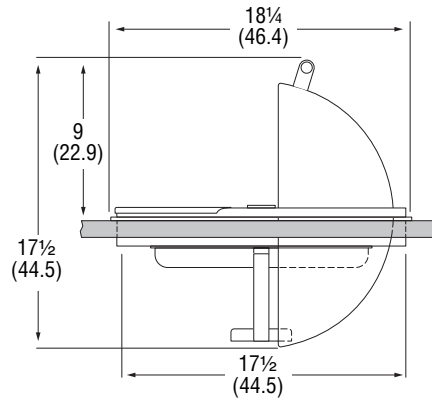
Technical Services
techservicereps@vollrathco.com
Induction Products: 800.825.6036
Countertop Warming Products: 800.354.1970
All Other Products: 800.628.0832

NEW YORK, NEW YORK® DROP-IN CHAFERS

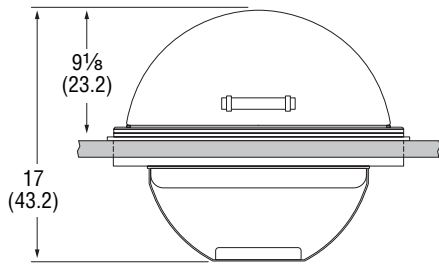
DIMENSIONS (shown in inches (cm))



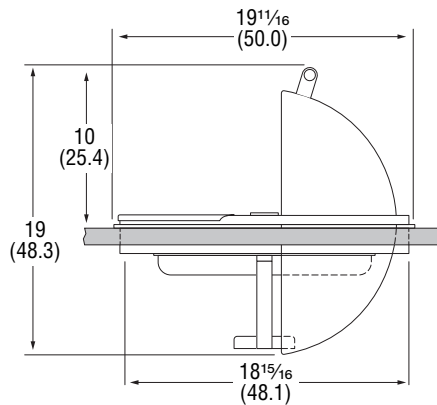
Front View



Side View



Front View



Side View

SPECIFICATIONS

Item No.	Description	Capacity QT (L)	Dimensions (L x W x H) IN (CM)		Weight LB (kg)
			Overall	Cutout*	
46258	Rectangular Drop-In	9 (8.6)	25 3/4 x 18 1/4 x 17 1/2 (65.4 x 46.4 x 44.5)	25 1/8 x 17 3/4 (63.8 x 45.1)	31 (14.1)
46268	Round Drop-In	6 (5.7)	19 11/16 x 19 11/16 x 19 (50.0 x 50.0 x 48.3)	19 1/8 (48.6)	21 (9.5)

*1 inch (2.5 cm) Radius



Outperform every day.™

www.vollrath.com

The Vollrath Company, L.L.C.

1236 North 18th Street
 Sheboygan, WI 53081-3201 U.S.A.
 Main Tel: 800.624.2051 or 920.457.4851
 Main Fax: 800.752.5620 or 920.459.6573
 Customer Service: 800.628.0830
 Canada Customer Service: 800.695.8560

Technical Services
techservicereps@vollrathco.com
 Induction Products: 800.825.6036
 Countertop Warming Products: 800.354.1970
 All Other Products: 800.628.0832