



Outperform every day.™

Project:  
Item Number:  
Quantity:

**35 INCH PLATE ACTIVATED CHEESE MELTERS (MODEL JW30PA)**



**DESCRIPTION**

Vollrath's 35 Inch Plate Activated Cheese Melters are ideal for melting cheese on nachos, cheese fries or soup; finishing potato skins or garlic bread; or warming plates. Plate activated heat control simplifies use. The cheese melters are well-suited for high volume food service operations.

**ITEMS**

Item No.	Model No.	Description
CM4-20835PA	JW30PA	35" Cheese Melter, Plate Activated, 208V
CM4-24035PA		35" Cheese Melter, Plate Activated, 240V

**FEATURES**

- Stainless steel construction.
- 27½" (69.9 cm) opening.
- Heavy-duty metal-sheathed heating elements.
- Standby mode saves 75% power during off-peak times.
- Weight of plate brings unit from standby mode to full power.
- Five shelf positions.
- 5 ft. (1.5 m) cord with plug.
- Made in the USA.

**WARRANTY**

- Warrantied parts: The warranty period is 2 year parts, 1 year labor.
- Heater tubes: The warranty period is 1 year parts and labor.
- For full warranty details, please refer to [www.Vollrath.com](http://www.Vollrath.com).

**CLEARANCE AND ENVIRONMENT REQUIREMENTS**

- Do not place on surfaces or near walls, partitions or kitchen furniture unless they are made of non-combustible material or clad with non-combustible heat-insulating material. Cheese melters must not be used near or below curtains and other combustible materials.
- Allow a minimum of 8" (20.3 cm) of clearance on the left and right sides of the cheese melter.
- Maximum ambient temperature: 104° F (40 ° C).

**Agency Listings**



Due to continued product improvement, please consult [www.vollrath.com](http://www.vollrath.com) for current product specifications.

Approvals	Date



Outperform every day.™

[www.vollrath.com](http://www.vollrath.com)

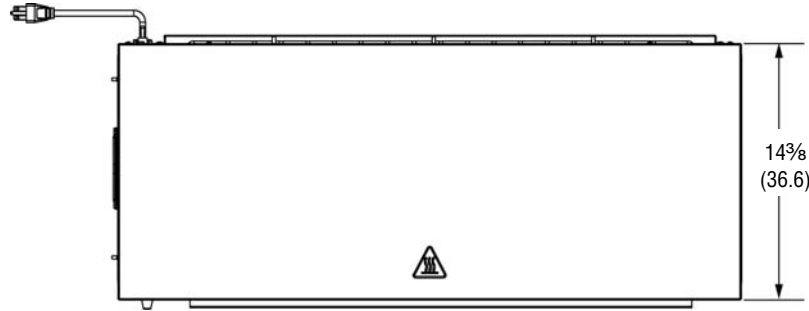
**The Vollrath Company, L.L.C.**

1236 North 18th Street  
Sheboygan, WI 53081-3201 U.S.A.  
Main Tel: 800.624.2051 or 920.457.4851  
Main Fax: 800.752.5620 or 920.459.6573  
Customer Service: 800.628.0830  
Canada Customer Service: 800.695.8560

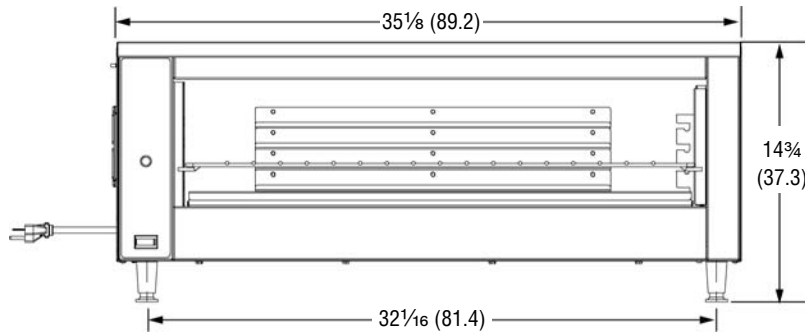
Technical Services  
[techservicereps@vollrathco.com](mailto:techservicereps@vollrathco.com)  
Toaster Products: 800.309.2250  
All Other Products: 800.628.0832

# 35 INCH PLATE ACTIVATED CHEESE MELTERS (MODEL JW30PA)

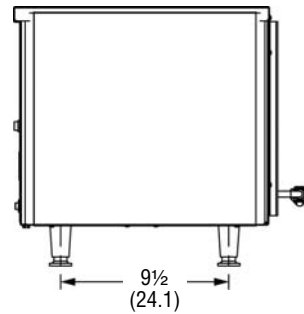
## DIMENSIONS (Shown in inches (cm))



Top View



Front View

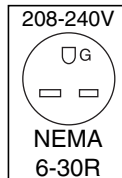


Side View

## SPECIFICATIONS

Item No.	Opening IN (CM)	Phase	Voltage	Watts	Amps	Hz	Weight LB (KG)	Plug
CM4-20835PA	27 1/2	1	208	3660	17.6	60	60	NEMA 6-30P
CM4-24035PA	(69.9)		240		15.3			

### Receptacle



Outperform every day.™

[www.vollrath.com](http://www.vollrath.com)

### The Vollrath Company, L.L.C.

1236 North 18th Street  
 Sheboygan, WI 53081-3201 U.S.A.  
 Main Tel: 800.624.2051 or 920.457.4851  
 Main Fax: 800.752.5620 or 920.459.6573  
 Customer Service: 800.628.0830  
 Canada Customer Service: 800.695.8560

Technical Services  
[techservicereps@vollrathco.com](mailto:techservicereps@vollrathco.com)  
 Toaster Products: 800.309.2250  
 All Other Products: 800.628.0832