

Nantucket

Model # 5820
Address Sign



DESCRIPTION

Add a touch of class with our Nantucket Address Sign. This all-season address sign will provide your property with years of elegance and sophistication, all with minimal effort.

- Weather resistant, low maintenance material
- No painting or staining required
- Easy installation over standard 4x4 wood posts
- Double sided sign (*mount plaques on front and back*)
- Molded from 100% polyethylene with UV inhibitors
- Warranty: 15-Yr Residential Use / 5-Yr Commercial Use



PRODUCT DIMENSIONS

Outside Dimensions: 6.9in L x 39in W x 31.5in H (17.5cm x 99.1cm x 80cm)

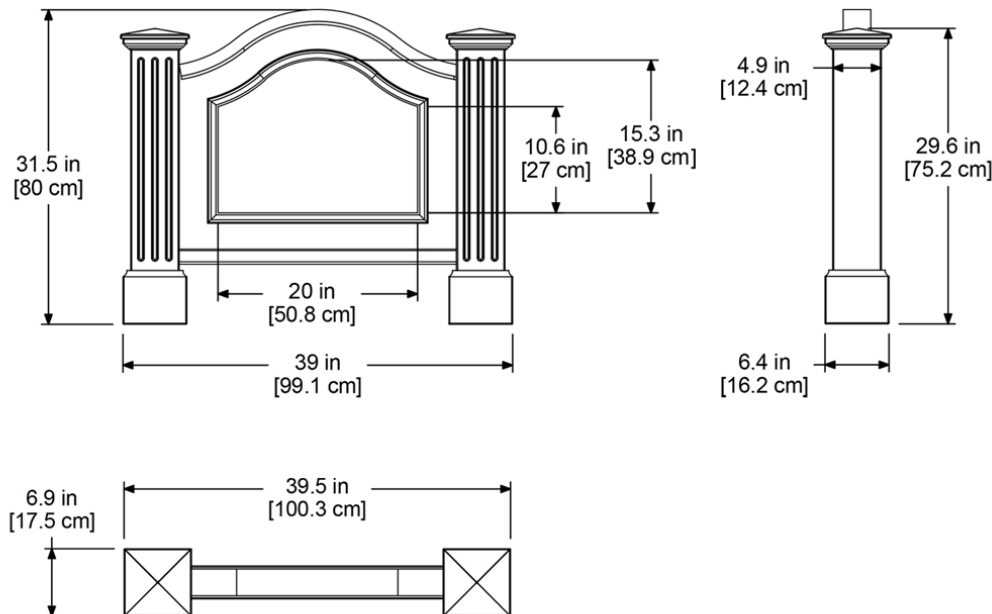
Plaque Mounting Area: 20in W x 10.6 H (50.8cm x 27cm) *15.3in H in the middle

Wall Thickness: 0.125in (3.17mm)

Part Weight: 12.9lbs (5.9kg)

Material: Polyethylene

Note: 4x4 wood posts, address plaque, and plaque mounting hardware NOT included



MAYNE[®]
Outdoor Products of Distinction

7024 Kilbourne Rd - Unit A London, ON N6P 1K6
Tel: 866-363-8834 | www.gomayne.com
customerservice@gomayne.com