



# CONFIGURE™

## INDOOR RECYCLING

The Configure™ decorative refuse containers provide a customizable recycling solution with sleek, smooth surfaces and contoured edges. This recycling system has a modern appearance that will fit seamlessly into any indoor or outdoor commercial environment.

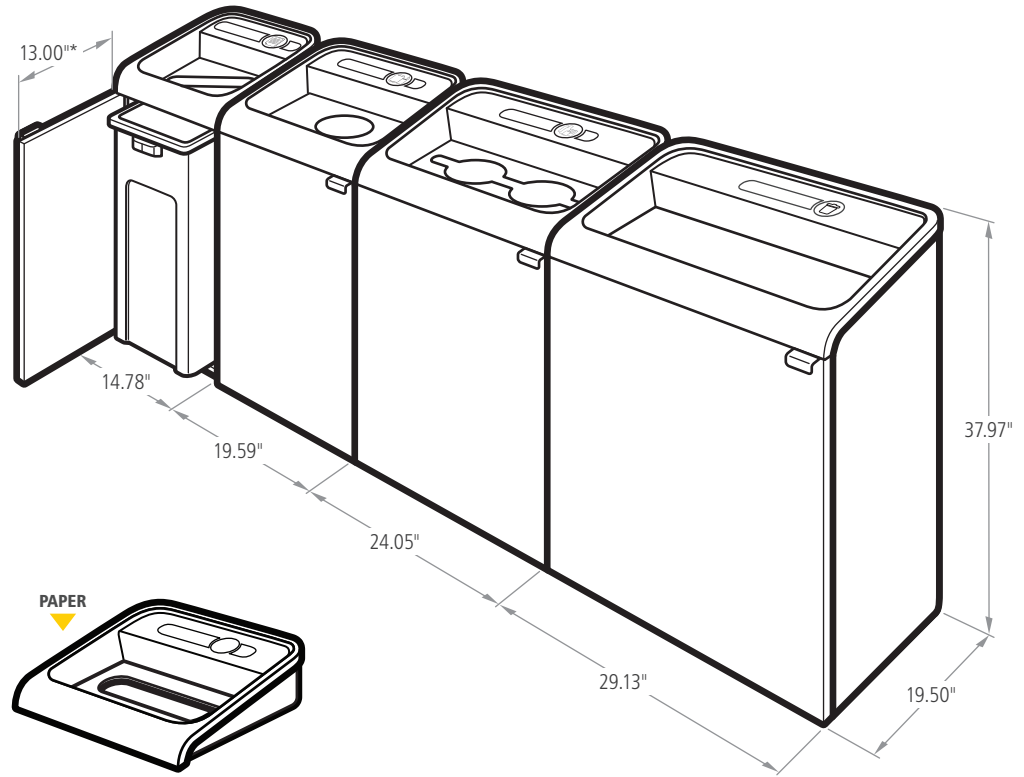
### FEATURES AND BENEFITS:

#### FEATURES

- ▶ Magnetic connection keeps the containers arranged in the order that best fits the space – in a row or an island
- ▶ The easy-access front door and handle allow for ergonomic emptying of waste
- ▶ The internal door hinge prevents unsightly wall damage and helps maintain a neat, clean appearance
- ▶ Rigid plastic liners with handles have built-in venting channels that create airflow making removal of waste faster and easier, improving productivity
- ▶ Secure liner bags with integrated liner cinches, allowing for knot-free liner changes
- ▶ 230+ color options and the ability to laser cut or add a decal logo
- ▶ Shipped fully assembled

#### ACCESSORIES

- ▶ Optional lock and key ensures the contents of the receptacle remain securely stored in-between emptying, providing a cleaner surrounding area



\* 15G DOOR OPENING SHOWN

GALLONS	LENGTH (in.)	WIDTH (in.)	HEIGHT (in.)	DOOR OPENING
15G	14.78	19.50	37.97	13.00* (SHOWN)
23G	19.59	19.50	37.97	17.50
33G	24.05	19.50	37.97	22.03
45G	29.13	19.50	37.97	26.50

BUILD YOUR OWN ▶ [RUBBERMAIDCOMMERCIAL.COM/CUSTOMIZE](http://RUBBERMAIDCOMMERCIAL.COM/CUSTOMIZE)



# CONFIGURE™

## INDOOR RECYCLING

### STANDARD COLOR OPTIONS



SKU #	DESCRIPTION	LINERS	COLOR	GALLONS	LENGTH (in.)	WIDTH (in.)	HEIGHT (in.)
1961614	CONFIGURE 1 STREAM LANDFILL 15G	PLASTIC	GREY STENNI	15	14.78	19.50	37.97
1961615	CONFIGURE 1 STREAM MIXED RECYCLING 15G	PLASTIC	GREY STENNI	15	14.78	19.50	37.97
1961616	CONFIGURE 1 STREAM PAPER 15G	PLASTIC	GREY STENNI	15	14.78	19.50	37.97
1961617	CONFIGURE 1 STREAM PLASTIC 15G	PLASTIC	GREY STENNI	15	14.78	19.50	37.97
1961618	CONFIGURE 1 STREAM GLASS 15G	PLASTIC	GREY STENNI	15	14.78	19.50	37.97
1961619	CONFIGURE 1 STREAM CANS 15G	PLASTIC	GREY STENNI	15	14.78	19.50	37.97
1961620	CONFIGURE 1 STREAM ORGANIC WASTE 15G	PLASTIC	GREY STENNI	15	14.78	19.50	37.97
1961621	CONFIGURE 1 STREAM LANDFILL 23G	PLASTIC	GREY STENNI	23	19.59	19.50	37.97
1961622	CONFIGURE 1 STREAM MIXED RECYCLING 23G	PLASTIC	GREY STENNI	23	19.59	19.50	37.97
1961623	CONFIGURE 1 STREAM PAPER 23G	PLASTIC	GREY STENNI	23	19.59	19.50	37.97
1961624	CONFIGURE 1 STREAM PLASTIC 23G	PLASTIC	GREY STENNI	23	19.59	19.50	37.97
1961625	CONFIGURE 1 STREAM GLASS 23G	PLASTIC	GREY STENNI	23	19.59	19.50	37.97
1961626	CONFIGURE 1 STREAM CANS 23G	PLASTIC	GREY STENNI	23	19.59	19.50	37.97
1961627	CONFIGURE 1 STREAM ORGANIC WASTE 23G	PLASTIC	GREY STENNI	23	19.59	19.50	37.97
1961628	CONFIGURE 1 STREAM LANDFILL 33G	PLASTIC	GREY STENNI	33	24.05	19.50	37.97
1961629	CONFIGURE 1 STREAM MIXED RECYCLING 33G	PLASTIC	GREY STENNI	33	24.05	19.50	37.97
1961630	CONFIGURE 1 STREAM PAPER 33G	PLASTIC	GREY STENNI	33	24.05	19.50	37.97
1961641	CONFIGURE 1 STREAM PLASTIC 33G	PLASTIC	GREY STENNI	33	24.05	19.50	37.97
1961642	CONFIGURE 1 STREAM GLASS 33G	PLASTIC	GREY STENNI	33	24.05	19.50	37.97
1961505	CONFIGURE 1 STREAM CANS 33G	PLASTIC	GREY STENNI	33	24.05	19.50	37.97
1961506	CONFIGURE 1 STREAM ORGANIC WASTE 33G	PLASTIC	GREY STENNI	33	24.05	19.50	37.97
1961507	CONFIGURE 1 STREAM LANDFILL 45G	PLASTIC	GREY STENNI	45	29.13	19.50	37.97
1961508	CONFIGURE 1 STREAM MIXED RECYCLING 45G	PLASTIC	GREY STENNI	45	29.13	19.50	37.97
1961509	CONFIGURE 1 STREAM PAPER 45G	PLASTIC	GREY STENNI	45	29.13	19.50	37.97
1961510	CONFIGURE 1 STREAM PLASTIC 45G	PLASTIC	GREY STENNI	45	29.13	19.50	37.97
1961681	CONFIGURE 1 STREAM GLASS 45G	PLASTIC	GREY STENNI	45	29.13	19.50	37.97
1961682	CONFIGURE 1 STREAM CANS 45G	PLASTIC	GREY STENNI	45	29.13	19.50	37.97
1961683	CONFIGURE 1 STREAM ORGANIC WASTE 45G	PLASTIC	GREY STENNI	45	29.13	19.50	37.97

BUILD YOUR OWN ► [RUBBERMAIDCOMMERCIAL.COM/CUSTOMIZE](http://RUBBERMAIDCOMMERCIAL.COM/CUSTOMIZE)

151289 | 123456

©2015 Rubbermaid Commercial Products LLC  
8900 Northpointe Executive Drive, Huntersville, NC 28078





# CONFIGURE™

## INDOOR RECYCLING

### STANDARD COLOR OPTIONS



STAINLESS  
STEEL

SKU #	DESCRIPTION	LINERS	COLOR	GALLONS	LENGTH (in.)	WIDTH (in.)	HEIGHT (in.)
1961711	CONFIGURE 1 STREAM LANDFILL 15G	PLASTIC	STAINLESS STEEL	15	14.78	19.50	37.97
1961684	CONFIGURE 1 STREAM MIXED RECYCLING 15G	PLASTIC	STAINLESS STEEL	15	14.78	19.50	37.97
1961685	CONFIGURE 1 STREAM PAPER 15G	PLASTIC	STAINLESS STEEL	15	14.78	19.50	37.97
1961686	CONFIGURE 1 STREAM PLASTIC 15G	PLASTIC	STAINLESS STEEL	15	14.78	19.50	37.97
1961687	CONFIGURE 1 STREAM GLASS 15G	PLASTIC	STAINLESS STEEL	15	14.78	19.50	37.97
1961688	CONFIGURE 1 STREAM CANS 15G	PLASTIC	STAINLESS STEEL	15	14.78	19.50	37.97
1961689	CONFIGURE 1 STREAM ORGANIC WASTE 15G	PLASTIC	STAINLESS STEEL	15	14.78	19.50	37.97
1961690	CONFIGURE 1 STREAM LANDFILL 23G	PLASTIC	STAINLESS STEEL	23	19.59	19.50	37.97
1961691	CONFIGURE 1 STREAM MIXED RECYCLING 23G	PLASTIC	STAINLESS STEEL	23	19.59	19.50	37.97
1961692	CONFIGURE 1 STREAM PAPER 23G	PLASTIC	STAINLESS STEEL	23	19.59	19.50	37.97
1961693	CONFIGURE 1 STREAM PLASTIC 23G	PLASTIC	STAINLESS STEEL	23	19.59	19.50	37.97
1961694	CONFIGURE 1 STREAM GLASS 23G	PLASTIC	STAINLESS STEEL	23	19.59	19.50	37.97
1961695	CONFIGURE 1 STREAM CANS 23G	PLASTIC	STAINLESS STEEL	23	19.59	19.50	37.97
1961696	CONFIGURE 1 STREAM ORGANIC WASTE 23G	PLASTIC	STAINLESS STEEL	23	19.59	19.50	37.97
1961697	CONFIGURE 1 STREAM LANDFILL 33G	PLASTIC	STAINLESS STEEL	33	24.05	19.50	37.97
1961698	CONFIGURE 1 STREAM MIXED RECYCLING 33G	PLASTIC	STAINLESS STEEL	33	24.05	19.50	37.97
1961699	CONFIGURE 1 STREAM PAPER 33G	PLASTIC	STAINLESS STEEL	33	24.05	19.50	37.97
1961700	CONFIGURE 1 STREAM PLASTIC 33G	PLASTIC	STAINLESS STEEL	33	24.05	19.50	37.97
1961701	CONFIGURE 1 STREAM GLASS 33G	PLASTIC	STAINLESS STEEL	33	24.05	19.50	37.97
1961702	CONFIGURE 1 STREAM CANS 33G	PLASTIC	STAINLESS STEEL	33	24.05	19.50	37.97
1961703	CONFIGURE 1 STREAM ORGANIC WASTE 33G	PLASTIC	STAINLESS STEEL	33	24.05	19.50	37.97
1961704	CONFIGURE 1 STREAM LANDFILL 45G	PLASTIC	STAINLESS STEEL	45	29.13	19.50	37.97
1961705	CONFIGURE 1 STREAM MIXED RECYCLING 45G	PLASTIC	STAINLESS STEEL	45	29.13	19.50	37.97
1961706	CONFIGURE 1 STREAM PAPER 45G	PLASTIC	STAINLESS STEEL	45	29.13	19.50	37.97
1961707	CONFIGURE 1 STREAM PLASTIC 45G	PLASTIC	STAINLESS STEEL	45	29.13	19.50	37.97
1961708	CONFIGURE 1 STREAM GLASS 45G	PLASTIC	STAINLESS STEEL	45	29.13	19.50	37.97
1961709	CONFIGURE 1 STREAM CANS 45G	PLASTIC	STAINLESS STEEL	45	29.13	19.50	37.97
1961710	CONFIGURE 1 STREAM ORGANIC WASTE 45G	PLASTIC	STAINLESS STEEL	45	29.13	19.50	37.97

BUILD YOUR OWN ► [RUBBERMAIDCOMMERCIAL.COM/CUSTOMIZE](http://RUBBERMAIDCOMMERCIAL.COM/CUSTOMIZE)

151289 | 123456

©2015 Rubbermaid Commercial Products LLC  
8900 Northpointe Executive Drive, Huntersville, NC 28078





# CONFIGURE™

## INDOOR RECYCLING

### STANDARD COLOR OPTIONS



GREY  
STENNI



STAINLESS  
STEEL

SKU #	DESCRIPTION	LINERS	COLOR	GALLONS	LENGTH (in.)	WIDTH (in.)	HEIGHT (in.)
1961750	CONFIGURE 2 STREAM LANDFILL/MIXED RECYCLING 15/23G	PLASTIC	GREY STENNI	15/23	34.25	19.50	37.97
1961751	CONFIGURE 2 STREAM LANDFILL/MIXED RECYCLING 15/33G	PLASTIC	GREY STENNI	15/33	34.25	19.50	37.97
1961752	CONFIGURE 2 STREAM LANDFILL/PAPER 2 15G	PLASTIC	GREY STENNI	15/15	29.44	19.50	37.97
1961753	CONFIGURE 2 STREAM LANDFILL/PAPER 15/23G G	PLASTIC	GREY STENNI	15/23	34.25	19.50	37.97
1961754	CONFIGURE 2 STREAM LANDFILL/ORGANIC WASTE 15/23G	PLASTIC	GREY STENNI	15/23	34.25	19.50	37.97
1961755	CONFIGURE 2 STREAM LANDFILL/MIXED RECYCLING 23/33G	PLASTIC	GREY STENNI	23/33	39.05	19.50	37.97
1961756	CONFIGURE 3 STREAM LANDFILL/MIXED/ORGANIC WASTE 3 15G	PLASTIC	GREY STENNI	15/15/15	44.10	19.50	37.97
1961757	CONFIGURE 3 STREAM PAPER/CANS/PLASTIC 3 15G	PLASTIC	GREY STENNI	15/15/15	44.10	19.50	37.97
1961758	CONFIGURE 3 STREAM LANDFILL/PAPER/CANS 3 15G	PLASTIC	GREY STENNI	15/15/15	44.10	19.50	37.97
1961759	CONFIGURE LANDFILL/PAPER/CANS 15/23/23G GREY	PLASTIC	GREY STENNI	15/23/23	53.71	19.50	37.97
1961760	CONFIGURE 4 STREAM LANDFILL/PAPER/PLASTIC/CANS 4 15G	PLASTIC	GREY STENNI	15/15/15/15	58.76	19.50	37.97
1961771	CONFIGURE 4 STREAM PAPER/PLASTIC/CANS/GLASS 4 15G	PLASTIC	GREY STENNI	15/15/15/15	58.76	19.50	37.97
1961772	CONFIGURE 4 STREAM LANDFILL/PAPER/CANS/ORGANIC WASTE 4 15G	PLASTIC	GREY STENNI	15/15/15/15	58.76	19.50	37.97
1961773	CONFIGURE 5 STREAM GLASS/PAPER/PLASTIC/CANS/ORGANIC WASTE 5 15G	PLASTIC	GREY STENNI	15/15/15/15/15	73.42	19.50	37.97
1961780	CONFIGURE 2 STREAM LANDFILL/MIXED RECYCLING 15/23G	PLASTIC	STAINLESS STEEL	15/23	34.25	19.50	37.97
1961781	CONFIGURE 2 STREAM LANDFILL/MIXED RECYCLING 15/33G	PLASTIC	STAINLESS STEEL	15/33	34.25	19.50	37.97
1961782	CONFIGURE 2 STREAM LANDFILL/PAPER 2 15G	PLASTIC	STAINLESS STEEL	15/15	29.44	19.50	37.97
1961783	CONFIGURE 2 STREAM LANDFILL/PAPER 15/23G	PLASTIC	STAINLESS STEEL	15/23	34.25	19.50	37.97
1961784	CONFIGURE 2 STREAM LANDFILL/ORGANIC WASTE 15/23G	PLASTIC	STAINLESS STEEL	15/23	34.25	19.50	37.97
1961785	CONFIGURE 2 STREAM LANDFILL/MIXED RECYCLING 23/33G	PLASTIC	STAINLESS STEEL	23/33	39.05	19.50	37.97
1961786	CONFIGURE 3 STREAM LANDFILL/MIXED RECYCLING/ORGANIC WASTE 3 15G	PLASTIC	STAINLESS STEEL	15/15/15	44.10	19.50	37.97
1961787	CONFIGURE 3 STREAM PAPER/CANS/PLASTIC 3 15G	PLASTIC	STAINLESS STEEL	15/15/15	44.10	19.50	37.97
1961788	CONFIGURE 3 STREAM LANDFILL/PAPER/CANS 3 15G	PLASTIC	STAINLESS STEEL	15/15/15	44.10	19.50	37.97
1961789	CONFIGURE 3 STREAM LANDFILL/PAPER/CANS 15/23/23G	PLASTIC	STAINLESS STEEL	15/23/23	53.71	19.50	37.97
1961790	CONFIGURE 4 STREAM LANDFILL/PAPER/PLASTIC/CANS 4 15G	PLASTIC	STAINLESS STEEL	15/15/15/15	58.76	19.50	37.97
1961801	CONFIGURE 4 STREAM PAPER/PLASTIC/CANS/GLASS 4 15G	PLASTIC	STAINLESS STEEL	15/15/15/15	58.76	19.50	37.97
1961802	CONFIGURE 4 STREAM LANDFILL/PAPER/CANS/ORGANIC WASTE 4 15G	PLASTIC	STAINLESS STEEL	15/15/15/15	58.76	19.50	37.97
1963087	CONFIGURE 5 STREAM GLASS/PAPER/PLASTIC/CANS/ORGANIC WASTE 5 15G	PLASTIC	STAINLESS STEEL	15/15/15/15/15	73.42	19.50	37.97

BUILD YOUR OWN ► [RUBBERMAIDCOMMERCIAL.COM/CUSTOMIZE](http://RUBBERMAIDCOMMERCIAL.COM/CUSTOMIZE)

151289 | 123456

©2015 Rubbermaid Commercial Products LLC  
8900 Northpointe Executive Drive, Huntersville, NC 28078

