



AirFlex® | Model #1410

AirFlex® Technology
blends ultimate comfort
with modern design.


Click Here to View
Marketing Video

**National
Public
Seating**



AirFlex®



✓ Comfort

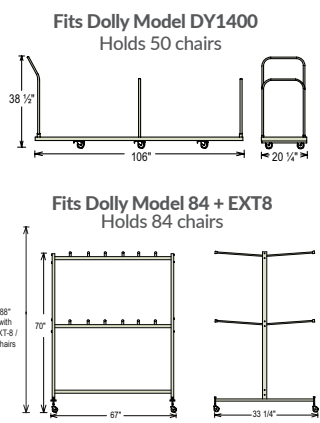
Distinct AirFlex® design contours to each individual making for the perfect balance of comfort and strength.

✓ Design

Modern design enhances any event.

✓ Durability

Strong 18 gauge steel frame and seat supports makes for long lasting durability.



Product Specs

Folded	40"H x 2.5"W
Open	32"H x 21.5"W
Seat	18"H x 17"W x 18"D
Product Weight	9.6 lbs.



THE **Body Builder** LINE



800.261.4112
www.nationalpublicseating.com