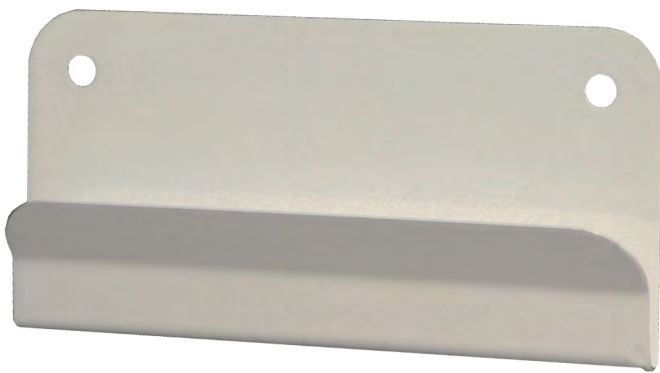




MADE IN THE USA

Accessories (each sold separately):

- MB-510: Hanger - Wall (shown below)
- HH004-0412: Hanger - Glass Door/Window



Product Description:

- Protective Wear Organizer
- Holds disposable or reusable gowns, aprons, or coveralls/jumpsuits, two boxes of gloves, one box of earloop masks, and bulk face shields or other items
- Keyholes for wall mounting, or door hanger cut out for use with wall or door hanger
- White ABS Plastic

Primary Area for Product Usage:

- Anywhere personal protection equipment is needed

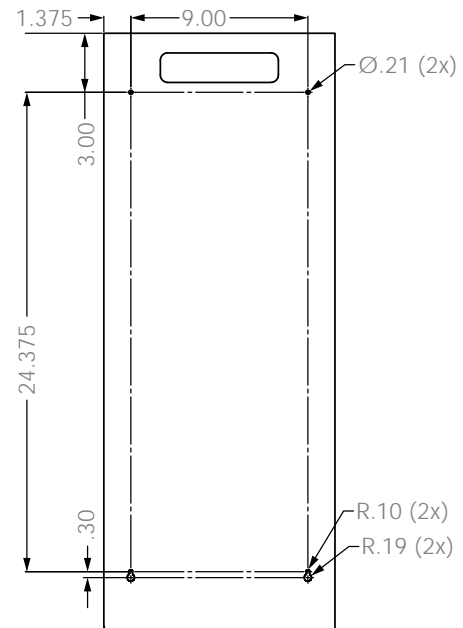
Dispenses:

- Top: Gowns, aprons, or coveralls/jumpsuits folded no larger than 11.50"W x 12.00"H x 4.25"D (29.3 cm x 30.5 cm x 10.8 cm)
- Middle: Box(es) no larger than 5.69"W x 10.00"H x 4.25"D (14.5 cm x 25.4 cm x 10.8 cm)
- Bottom left: Box(es) no larger than 4.63"W x 8.00"H x 4.25"D (11.8 cm x 17.5 cm x 10.8 cm)
- Bottom right: Item(s) no larger than 6.88"W x 8.00"H x 4.25"D (17.5 cm x 17.5 cm x 10.8 cm)

Product Specifications (overall external dimensions):

- 11.75"W x 30.50"H x 4.50"D (29.8 cm x 77.5 cm x 11.4 cm)
- 4.3 lbs (2.0 kg) - approximated

Mounting Specifications:



Package Specifications:

- Package Quantity: 1 per case
 - 34"L x 21"W x 6"H (86.4 cm x 53.3 cm x 15.2 cm)
 - 8.0 lbs (3.6 kg) - approximated

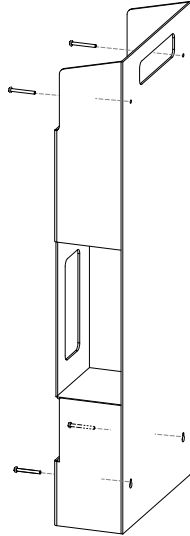




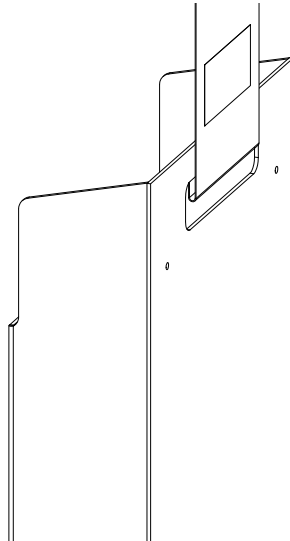
Installation

Always mount dispensers securely *prior* to loading with product.

- Mount securely to a wall with screws approved and supplied by building maintenance.



- Dispenser can be mounted to a Bowman Wall or Door Hanger through cutout in back. (See guidelines for door hanger mounting on the hanger instructions.)



Parts included:

- Dispenser

Tools Required:

- No tools required to assemble dispenser

Care and Construction

ABS Plastic

Material Characteristics

Designed for Long-Term, Heavy-Duty Applications

The combination of copolymers (Acrylonitrile, Butadiene, and Styrene) gives ABS an excellent combination of strength, rigidity, and toughness. The fauxwood finish is ARVINYL laminate created from a semi-rigid film.

ABS is chemical and stress-crack resistant. It is tough, dimensionally stable, and will hold up to long-term use. To ensure product longevity, fauxwood products should not be mounted in very hot or cold areas.

Care and Cleaning

Use mild soap and water to clean. Petroleum-based oils, solvents, and paints should not be used.

Standard hospital cleaning supplies are approved for use on our ABS plastic products.