

Mise En Place™

Chef's Ingredient Staging Cart - Stainless Steel

Models 140, 145, 146

Prepare And Cook Food More Quickly And Efficiently

Features

- Stainless top frame holds full size pan, or smaller pans with standard inserts, or optional cutting board
- Integrated handles on each end hold 1/3 pan or (2) 1/6 pans
- Cantilevered H-base features small casters to roll under ranges
- Detachable speed rail with integrated towel bar holds spices, seasonings, bottles and sauces
- ADA compliant
- Adjustable-height top (Model 140)

Benefits

- Provides menu innovation without compromising existing kitchen layout
- Increases productivity through ease of ingredient placement and access
- Ergonomic height top fits in any environment or set up
- Also ideal for tableside meal prep and customization
- Unassembled unit (Model 145) reduces price and shipping/storage cost



Model 140



Model 145

Specifications

General:

Unit is of stainless steel construction to accommodate various size pans. Top shall have frame and adjustable cross support bars to accommodate full or fractional size pans and a removable 24" W x 3 1/4" D x 3 3/4" H speed rail for bottles and jars. Speed rail has 24" tubular towel rod. Casters shall be all-swivel. Unit is ADA compliant.

Model 140:

Unit is of stainless steel welded construction. Base frame shall be of welded 1" x 1" square tubing with 1" x 2" square tubing upright supports. Upright supports shall have holes at 1" spacing to provide table top height adjust ability range of 6" (29" to 35"). Top capacity is 50 lbs., speed rail capacity is 25 lbs. Swivel casters have 2" wide-tread wheel. Unit is NSF listed.

Models 145 & 146:

Unit is of stainless steel heavy-duty fastened construction. Base is solid reinforced 16-gauge. Upright angle supports and top frame are one-piece 14-gauge with top and bottom gussets. Top capacity is 30 lbs., speed rail capacity is 15 lbs. Swivel casters have 3 1/2" non-marking wheel.

Spec. # _____

AIA # _____

Lakeside Manufacturing, Inc.

4900 West Electric Avenue • West Milwaukee, WI 53219 U.S.A.

800-558-8565 • 414-902-6400 • Fax 414-902-6446 • info@eLakeside.com • www.eLakesideFoodservice.com

Models

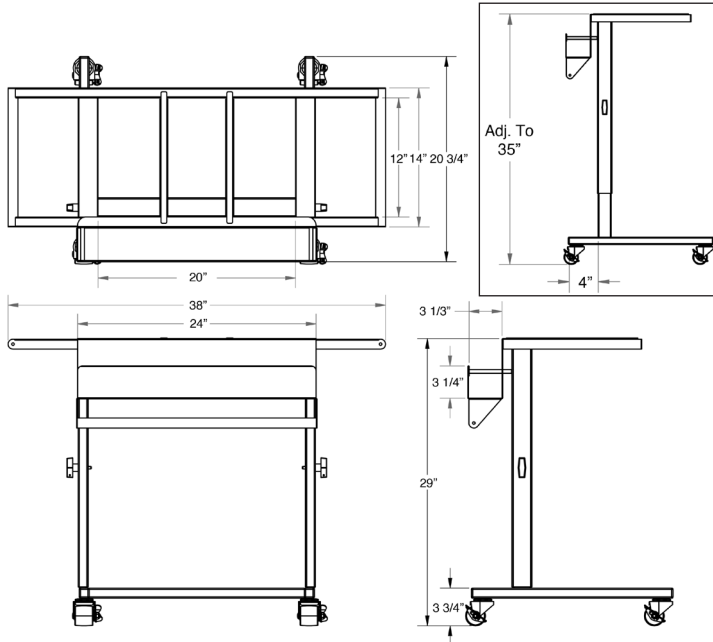
140
145
146

Mise En Place™

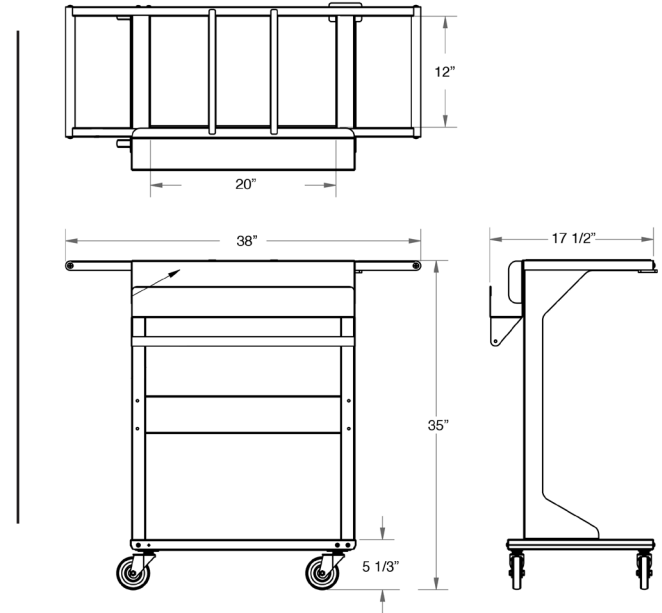
Kitchen Cooking Ingredient Cart - Stainless Steel

Spec. #

AIA #



Model 140



Model 145/146

Model Information:

Model	Description	Construction	Overall Size			Casters		Ship Wt. Lbs. (Kg)
			W	D	H	Type	Dia.	
140	Heavy-Duty 	Fully Welded	38" (965)	20 3/4" (533)	35" * (889)*	All Swivel Wide-Wheel	2" (51)	78 (35.4)
145	Standard Duty Unassembled	Bolted/ Fastened	38" (965)	17 1/2" (444)	35" (889)	All Swivel	3 1/2" (89)	48 (21.8)
146	Standard Duty Assembled	Bolted/ Fastened	38" (965)	17 1/2" (444)	35" (889)	All Swivel	3 1/2" (89)	48 (21.8)

*Expanded maximum height
Dimensions in () denote metric millimeters, unless otherwise noted.

Optional Accessory

- HDPE Cutting Board
- No speed rail



Optional Cutting Board



Lakeside Manufacturing, Inc.
4900 West Electric Avenue • West Milwaukee, WI 53219 U.S.A.
800-558-8565 • 414-902-6400 • Fax 414-902-6446
info@eLakeside.com • www.eLakesideFoodservice.com