

OPEN STYLE TRAY DISPENSERS



DXIDT1S1520

Item Numbers

Single

- DXIDT1S1418
- DXIDT1S1520
- DXIDT1S1622

Double

- DXIDT2S1222
- DXIDT2S1418
- DXIDT2S1520
- DXIDT2S1622

Application

These self-leveling mobile tray dispensers are offered in two styles:

- Single stack, tubular frame with solid bottom.
- Double stack, tubular frame with solid bottom.

These self-leveling mobile tray dispensers can be found in tray lines, in the front or back-of-the house, or any place your needs require.

Construction

The lifting mechanism is constructed of stainless steel with all exposed parts having a No. 3 finish.

The Mobile Tray Dispenser is equipped with rollers and a full complement of stainless steel extension springs which can be easily disconnected to adjust the lifting rate.

A removable stainless steel carrier tray provides bottom support for trays being dispensed.

The base is fabricated from stainless steel and reinforced with stainless steel angles.

The square tube frames are fabricated from stainless steel and securely welded to stainless steel angles on underside of base.

The tubular frames are reinforced by stainless steel square tubes welded to each vertical frame.

Four 5" heavy-duty non-marking swivel casters (2 with brakes) are securely mounted to the base and a non-marking bumper is attached at each corner.

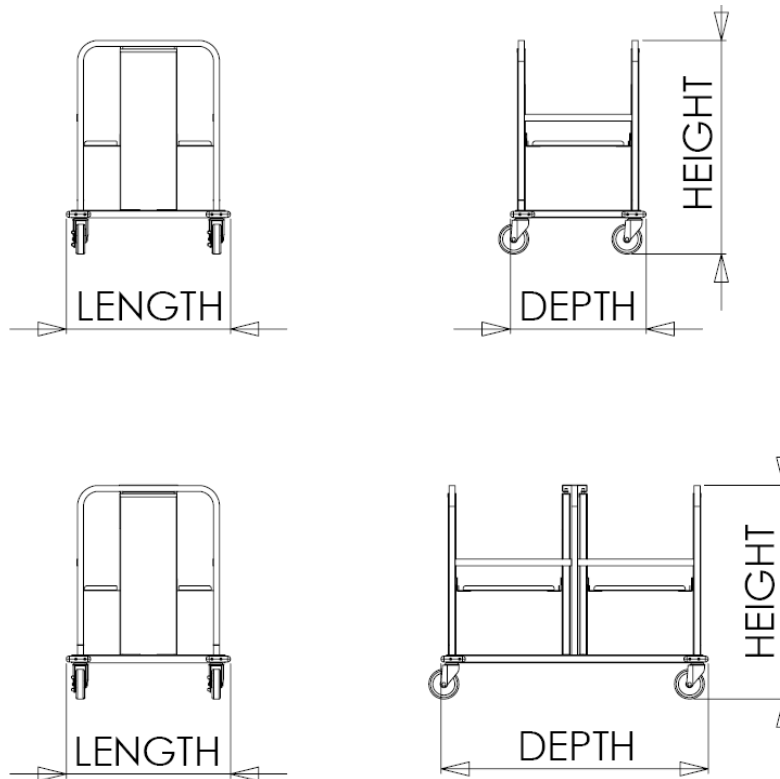
Standard Features

- Stainless steel construction including extension springs for long lasting dependable service.
- Self-leveling mechanism lifts out for easy cleaning.
- Field adjustable to accommodate different weights.
- Corner Bumpers.

Warranty

One years parts and labor.

OPEN STYLE TRAY DISPENSERS



Items and Dimensions

ITEM NUMBER	MODEL NUMBER	LENGTH	DEPTH	HEIGHT	CASTERS		MAX TRAY SIZE	SHIP WEIGHT	SHIP CUBE
					TYPE	DIA.			
DXIDT1S1418	IDT1S/1418	27.45" (69.7 cm)	22.7" (57.7 cm)	36" (91.4 cm)	4 Swivel 2 w/brake	5"	14.375" x 18.75" (36.5 cm x 47.6 cm)	133 lb (60.3 kg)	12.98
DXIDT1S1520	IDT1S/1520	27.45" (69.7 cm)	22.7" (57.7 cm)	36" (91.4 cm)	4 Swivel 2 w/brake	5"	15.375" x 20.75" (39.1 cm x 52.7 cm)	133 lb (60.3 kg)	12.98
DXIDT1S1622	IDT1S/1622	27.45" (69.7 cm)	22.7" (57.7 cm)	36" (91.4 cm)	4 Swivel 2 w/brake	5"	16.375" x 22.75" (41.6 cm x 57.8 cm)	138 lb (62.6 kg)	12.98
DXIDT2S1222	IDT2S/1222	27.45" (69.7 cm)	22.7" (57.7 cm)	36" (91.4 cm)	4 Swivel 2 w/brake	5"	12.70" x 22.70" (32.3 cm x 57.7 cm)	156 lb (70.8 kg)	20.9
DXIDT2S1418	IDT2S/1418	22.7" (57.7 cm)	22.7" (57.7 cm)	36" (91.4 cm)	4 Swivel 2 w/brake	5"	14.375" x 18.75" (36.5 cm x 47.6 cm)	152 lb (68.9 kg)	25.5
DXIDT2S1520	IDT2S/1520	22.7" (57.7 cm)	22.7" (57.7 cm)	36" (91.4 cm)	4 Swivel 2 w/brake	5"	15.375" x 20.75" (39.1 cm x 52.7 cm)	170 lb (77.1 kg)	25.5
DXIDT2S1622	IDT2S/1622	22.7" (57.7 cm)	22.7" (57.7 cm)	36" (91.4 cm)	4 Swivel 2 w/brake	5"	16.375" x 22.75" (41.6 cm x 57.8 cm)	174 lb (78.9 kg)	25.5



Please confirm that you have the most current specification sheet by visiting www.dinex.com.
Dinex® reserves the right to change specifications and product design without notice.
Such revisions do not entitle the buyer to corresponding changes, improvements, additions or replacements for previously purchased equipment.

Printed in USA



4711 E. Hefner Road
Oklahoma City, OK 73131
800.654.8210 Fax: 405.475.5607
www.dinex.com

OpenTrayDispenser_SpecSheet