

TVL ECONOMY CARTS SINGLE DOOR TRAY DELIVERY CARTS WITH TWO TRAYS PER SLIDE



Item Numbers

- DXTVL2T1D10
- DXTVL2T1D12
- DXTVL2T1D14
- DXTVL2T1D16
- DXTVL2T1D18
- DXTVL2T1D20

DXTVL2T1D10

Shown with optional 3-sided top rail

Application

These carts are the latest design in a brand new series of carts called TVL Economy Carts. Here we offer you a cart that is built ready to have all of its options added as needed. It's the quick and easy answer to a "ready-made" tray service cart.

This equipment is intended for "Industrial Use Only".

Options

- All options are available for field installation only.
- The use of simple hand tools are all that is required to install the field options. "No Drilling of Holes are Required"

Construction

TVL Series cart single door tray delivery cart with an all stainless steel modular construction. Comes with standard perimeter bumper frame and standard drop down latch for doors for transport. The cart has (standard) 5" tray height spacing with 2 trays per shelf for a total of a 10, 12, 14, 16, 18, & 20 capacities for the cart. The cart comes with adjustable tray slides that can be adjust per slot (1.6875" height changes per slot). The cart is built ready with hole locations to add top rail assembly or you can remove the back panel and add a second door to change it to a pass-thru cart. All carts come standard with bottom mounted floor drain and 5" Performa casters with sealed stainless steel bearings (2 rigid, 2 swivel with side lock brakes).

Standard Features

- Full wrap around bumper
- 5" Performa casters
- Drop style transport door latch
- 5" tray spacing
- Drain included on all models

Compatible Tray Sizes

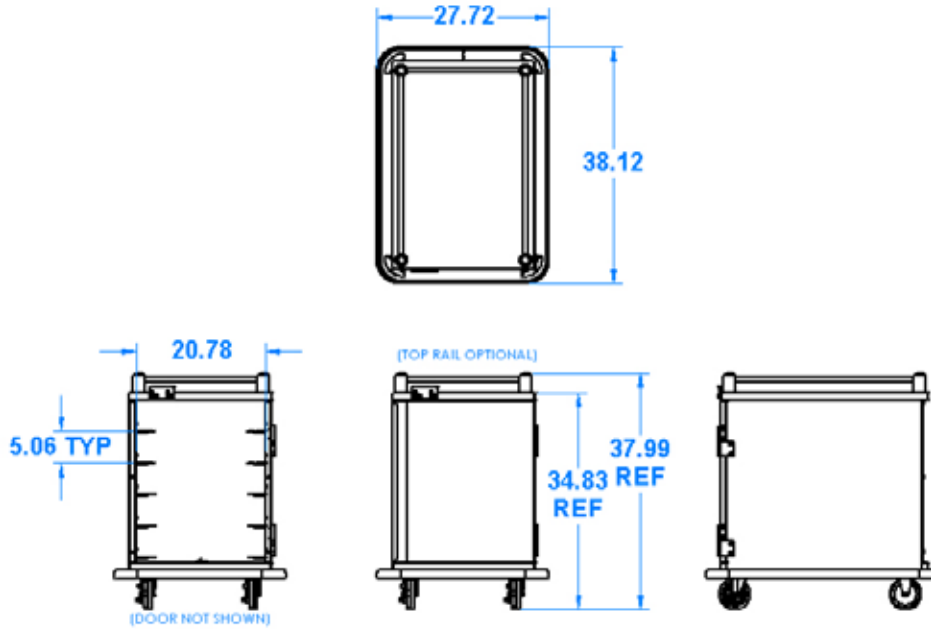
- 14" x 18"
- 15" x 20"
- 12" x 19"
- 12" x 20"

Warranty

One years parts and labor.

TVL ECONOMY CARTS

SINGLE DOOR TRAY DELIVERY CARTS WITH TWO TRAYS PER SLIDE



Items and Dimensions

ITEM NUMBER	MODEL NUMBER	LENGTH	DEPTH	HEIGHT	SHIP WEIGHT	SHIP CUBE	TRAY CAPACITY
DXTVL2T1D10	TVL2T1D10	27.72" (70.4088 cm)	38.12" (96.82 cm)	34.83" (88.4682 cm)	165 lb (74.8427 kg)	48.0	10
DXTVL2T1D12	TVL2T1D12	27.72" (70.4088 cm)	38.12" (96.82 cm)	39.83" (101.1682 cm)	177 lb (80.2858 kg)	54.0	12
DXTVL2T1D14	TVL2T1D14	27.72" (70.4088 cm)	38.12" (96.82 cm)	44.83" (113.8682 cm)	189 lb (85.729 kg)	60.0	14
DXTVL2T1D16	TVL2T1D16	27.72" (70.4088 cm)	38.12" (96.82 cm)	49.83" (126.5682 cm)	201 lb (91.1721 kg)	66.0	16
DXTVL2T1D18	TVL2T1D18	27.72" (70.4088 cm)	38.12" (96.82 cm)	54.83" (138.2682 cm)	213 lb (96.6152 kg)	72.0	18
DXTVL2T1D20	TVL2T1D20	27.72" (70.4088 cm)	38.12" (96.82 cm)	59.83" (151.9682 cm)	225 lb (102.058 kg)	78.0	20

ALL CARTS ARE DESIGNED FOR THE FOLLOWING TRAY SIZES:
14" x 18", 15" x 20", 12" x 19", 12" x 20"

Standard Options Available

- 3-SIDED TOP RAILS
- REAR DOOR KITS FOR PASS THRU APPLICATIONS

Contact your Sales Representative for more information on the available standard options

Please confirm that you have the most current specification sheet by visiting www.dinex.com.
Dinex® reserves the right to change specifications and product design without notice.
Such revisions do not entitle the buyer to corresponding changes, improvements, additions or replacements for previously purchased equipment.



4711 E. Hefner Road
Oklahoma City, OK 73131
800.654.8210 | 405.475.5600
www.dinex.com