



INVENTIVE SIMPLIFICATION

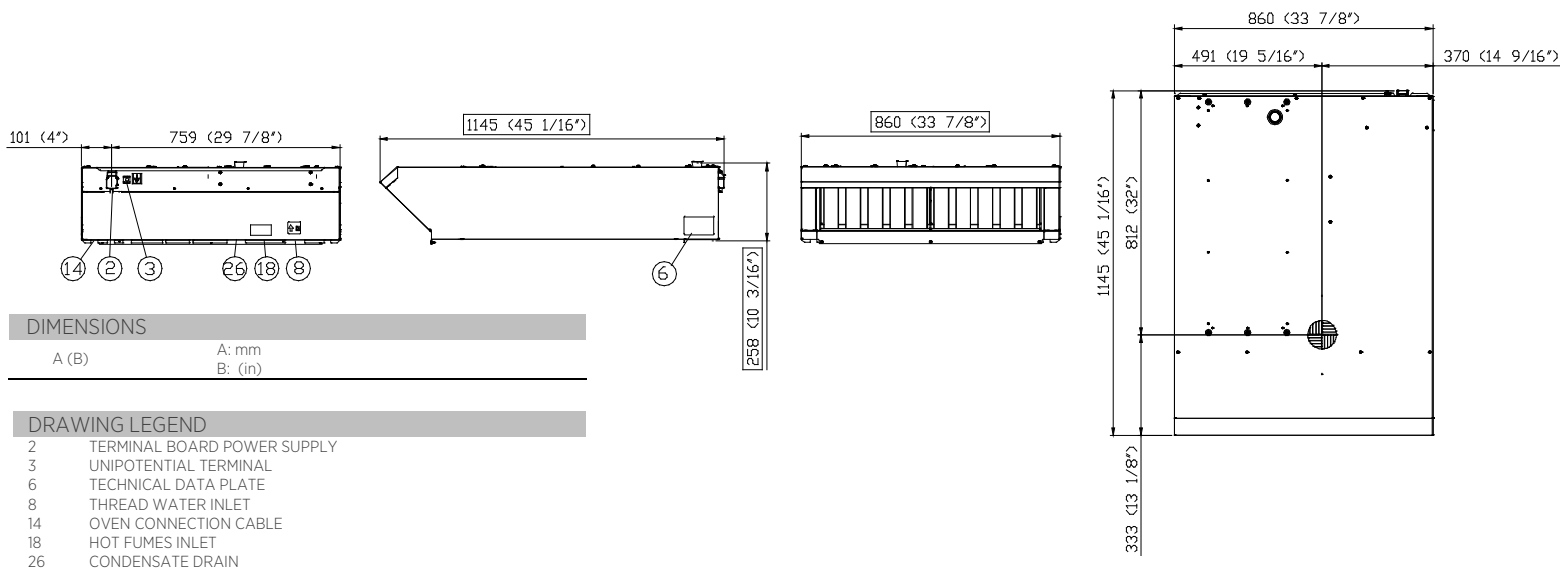
XAVHC-HCFS

Ventless Hood

DESCRIPTION

The ventless hood cleans, removes odors and cools down the fumes that exit from the chimneys. In addition, a suction system draws up the fumes when the door is open, meaning the installation of expensive ceiling hoods is no longer necessary. For electric ovens only.

CERTIFICATIONS



DIMENSIONS

A (B)	A: mm	B: (in)
759	19270	29 7/8"
1145	29145	45 1/16"
860	21845	33 7/8"
1145	29145	45 1/16"
333	8460	13 1/8"

DRAWING LEGEND

- 2 TERMINAL BOARD POWER SUPPLY
- 3 UNIPOTENTIAL TERMINAL
- 6 TECHNICAL DATA PLATE
- 8 THREAD WATER INLET
- 14 OVEN CONNECTION CABLE
- 18 HOT FUMES INLET
- 26 CONDENSATE DRAIN

EXHAUST GAS CHIMNEY, AIR FLOW, MAX TEMPERATURE, DIMENSIONS & WEIGHT

Exhaust chimney diameter: 4-13/16" (121 mm)
 Min. air flow: 310 m3/h
 Max. air flow: 390 m3/h
 Max. temperature: 95°F (35°C)
 Dimensions (WxDxH): 33-7/8" x 45 1/16" x 9 7/16" (860x1145x240 mm)
 Weight: 55 lbs (25 kg)

POWER SUPPLY

VOLTAGE	PH	Hz	MAXIMUM AMP DRAW	REQUIRED BREAKER SIZE**	kW	WIRE SIZE, CU, 90°C AWG*	PLUG
208-240	1+N	60	0.5 A	15 A	0.1	3xAWG14	SUPPLIED NEMA 6-15P

* Minimum wire gauge required for field connection, ALWAYS OBSERVE LOCAL ORDINANCES
 ** Recommended size. Always refer to the NEC, state and local codes

WATER REQUIREMENTS

Water inlet: one (1) cold water inlet - drinking quality;
 - one (1) untreated water inlet: 3/4" NPT*, line pressure: 22 to 87 psi; 1.5 to 6 bar * Can manifold off of one 3/4" line.

Water drain: 1-3/16" (30 mm) connection with a 1" (25 mm) minimum air gap installed at least 1 foot (300 mm) away from the oven

Water quality minimum standards: USING A WATER SUPPLY NOT MEETING UNOX'S MINIMUM WATER QUALITY STANDARDS WILL VOID ANY WARRANTY. It is the responsibility of the purchaser to ensure that incoming water supply is compliant with the specifications listed through adequate treatment measures.

Contaminant Inlet Water Requirements (untreated water): Free Chlorine: less than 0.1 ppm (mg/L); Chloramine: less than 0.1 ppm (mg/L); Hardness: less than 3 gpg (52 ppm); Chloride: less than 25 ppm (mg/L); ph: 7.0 to 8.5; Alkalinity: less than 50 ppm (mg/L); Silica: less than 12 ppm (mg/L); Total Dissolved Solids (tds): less than 60 ppm

INSTALLATION REQUIREMENTS

Oven must be installed level. Back-flow preventer integrated in the unit.
 Installations must comply with all local electrical, plumbing and ventilation codes.

UNOX INC. 105 Terry Drive - Suite 119 Newtown, Pennsylvania 18940 Toll Free: 1-800-489-UNOX (8669) infousa@unox.com

www.unox.com