



Project: _____
Items: _____
Quantity: _____
Approval: _____
Date: _____

STAINLESS STEEL MOBILE HAND SINK

Stainless Steel Mobile Hand Sink

Efficient solution for areas with restricted or limited availability of plumbing in your facility, while ensuring appropriate levels of hygiene.

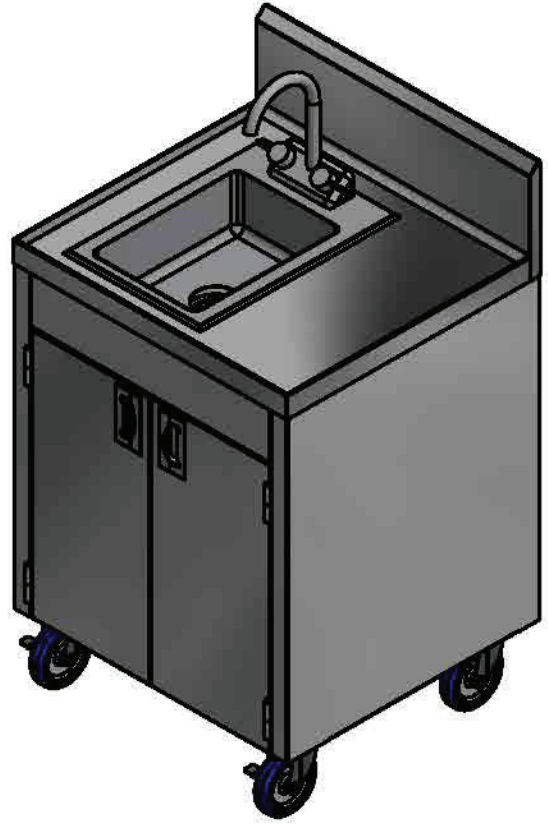
Keep it Sanitary - Wash Your Hands!

Features:

- Constructed of all welded stainless steel. Top 16 guage, cabinet 18 guage
- 6" back boxed back splash
- 5 gallon clean water & 6 gallon waste containers
- UL listed Stiebel Eltron Mini water heater at 120V/15A
- UL listed Shurflo water pump at 115V
- Sink is 10" x 14" x 5" deep
- Includes 6" goose neck faucet and basket drain
- Faucet blends hot and cold water
- Electrical - 120V, 20A with 8' power cord
- Maneuvers on (4) 5" polyurethane swivel casters with brakes.

Benefits:

- Maintains hygienic and safe environment
- Versatile - it can be used in a setting with limited plumbing
- NSF

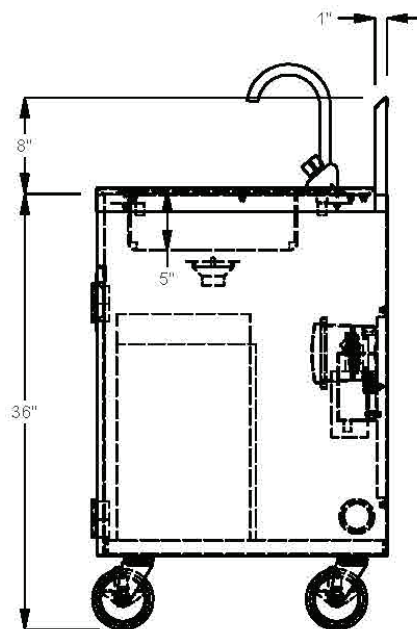
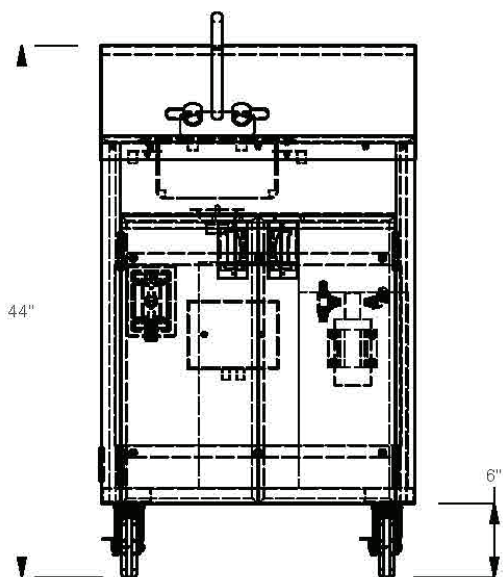
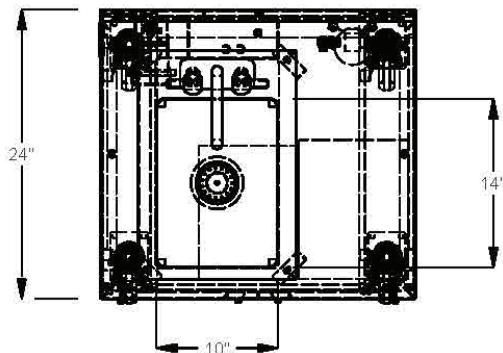


Model STCT-BHD2436PUMP-WH





**Stainless Steel
Mobile Hand Sink**



Model Number	Order#	Overall Dimensions						Approx. Ship Wt	
		Width		Length		Height		(lb)	(kg)
		(in)	(mm)	(in)	(mm)	(in)	(mm)		
STCT-BHD2436PUMP-WH	1143130	26-1/8	664	24	607	44	1118	104	47

Caster Information

Swivel Plate Caster with 5" Polyurethane Wheel & Brake 738AW/LC
5" Polyurethane Wheel 7112



In line with our policy to continually improve our products, Winholt reserves the right to change materials and specifications without notice.