

Keeping Up With The Latest Trends In Home Décor

2022 Round 3

All the Rages™



LF2006

Simple Designs 67" Contemporary Multi Head Medusa 5 Light Adjustable Gooseneck Floor Lamp for Kids Bedroom Playroom Living Room Office



Shown: LF2006-SBG

This contemporary floor lamp features a 10" weighted metal base.

Fun adjustable shades

3 light settings for adjustable brightness- 2 lights on, 3 lights on, and 5 lights on

Assembly required. Instruction manual included.

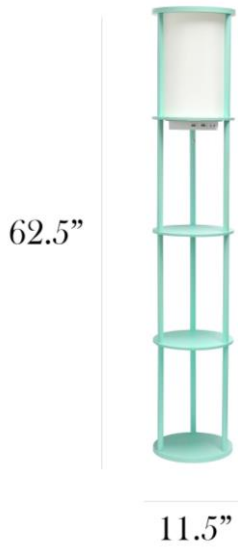
Uses 5 x 60-watt type A19 E26 medium base bulbs (not included)



LF2006-WPG

LF2010

Simple Designs 62.5" Round Modern Shelf Etagere Organizer Storage Floor Lamp with 2 USB Charging Ports, 1 Charging Outlet and Linen Shade for Living Room Bedroom Office



Finishes: Aqua, Black, Gray, Light Pink, Navy, Tan & White

2 output 5V 2A USB ports and 1 outlet

Built-in shelves

Assembly required. Instruction Manual included.

Uses 1 x 100-watt type A19 E26 medium base bulb (not included)

Shown: LF2010-AQU



LF2010-BLK



LF2010-GRY



LF2010-PNK



LF2010-NAV



LF2010-TAN



LF2010-WHT

LHM-1000

Lalia Home 3-Light 13" Industrial Farmhouse Glass and Metallic Accented Semi-flushmount

Beautifully crafted glass fixture with metal frame

Hardwired fixture: minimal assembly and installation required

13" bottom shade opening

Requires 3 x 40-watt E12 candelabra base B10 bulbs (not included)

Canopy to bottom of flushmount measures 12.5"

Assembly required. Instruction manual and mounting hardware included.

diameter : 13"

6.75"

12.5"



Shown: LHM-1000-AB



LHM-1000-BK



LHM-1000-RG



LHM-1000-BN



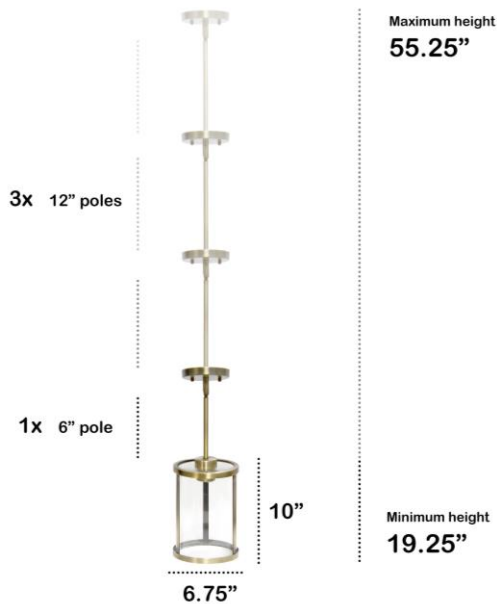
LHM-1000-WH



LHM-1000-GL

LHP-3002

Lalia Home 1-Light 9.25" Modern Farmhouse Adjustable Hanging Cylindrical Clear Glass Pendant Fixture with Metal Accents for Kitchen Island Foyer Dining Room Hallway Bedroom Living Room



One cylindrical clear glass shade

Assembly and hardwiring required

Requires 1 x 60-watt E26 medium base A19 bulb (not included)

The clear glass shade measures 6.5" diameter by 9.25" high

Sloped ceiling compatible

Finishes: Antique Brass, Black, Brushed Nickel, Gold, Rose Gold, White

Shown: LHP-3002-AB



LHP-3002-BK



LHP-3002-BN



LHP-3002-GL



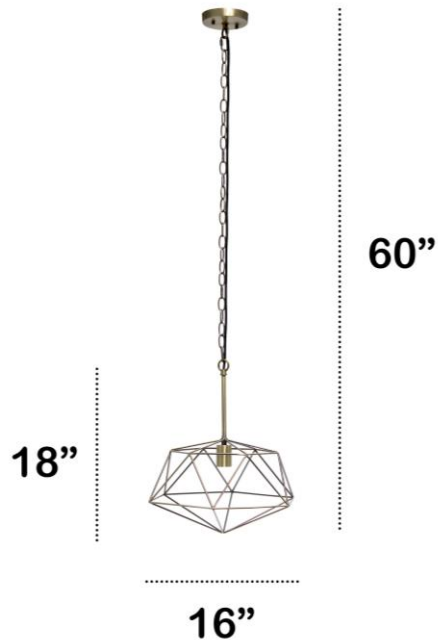
LHP-3002-RG



LHP-3002-WH

LHP-3003

Lalia Home 1 Light 16" Modern Metal Wire Paragon Hanging Ceiling Pendant Fixture



Shown: LHP-3003-AB

Hardwired

Lightweight yet sturdy

Requires 1 x 60 watt E26 medium base A19 bulbs (not included)

Canopy to bottom of pendant measures 60"

Assembly required



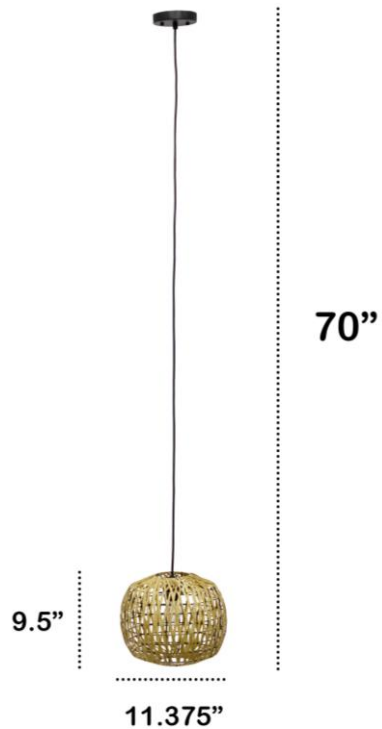
LHP-3003-BK



LHP-3003-RG

LHP-3008

Lalia Home 1-Light 11.38" Bohemian Farmhouse Coastal Woven Paper Shade Pendant



Paper rope shade

Hardwired

3.5" bottom shade opening

Requires 1 x 40 watt E26 medium base A19 bulbs (not included)

Features an adjustable cord from canopy to shade

Assembly required



LHP-3008-WH

Shown: LHP-3008-NA

LHP-3010

Lalia Home 3-Light 18" Adjustable Industrial Globe Hanging Metal and Clear Glass Ceiling Pendant for Kitchen Foyer Hallway Bedroom Living Room Dining Room



Three cylindrical clear glass shades

Smooth spherical metal frame

Assembly and hardwiring required

Requires 3 x 40-watt E26 medium base A19 bulbs (not included)

3 shades measure 3.375" diameter by 5.25" high

Finishes: Antique Brass, Brushed Nickel, Chrome, Gold, Rose Gold, Restoration Bronze, White

Shown: LHP-3010-AB



LHP-3010-BN



LHP-3010-CH



LHP-3010-GL



LHP-3010-RG



LHP-3010-RZ



LHP-3010-WH

LHP-3011

Lalia Home 1-Light 5.75" Minimalist Industrial Farmhouse Adjustable Hanging Clear Cylinder Glass Pendant Fixture for Kitchen Island Foyer Dining Room Hallway Bedroom Living Room

One cylindrical clear glass shade

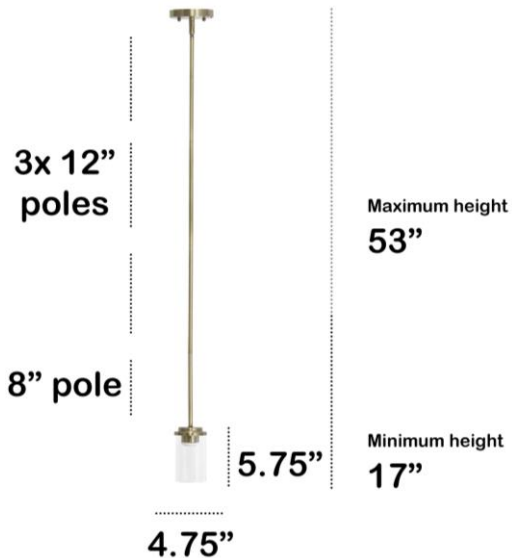
Assembly and hardwiring required

Requires 1 x 40 watt E26 medium base A19 bulb (not included)

Clear glass shade measures 3.5" diameter by 5.25" high

Sloped ceiling compatible

Finishes: Antique Brass, Brushed Nickel, Gold, Rose Gold, Restoration Bronze



Shown: LHP-3011-AB



LHP-3011-BN



LHP-3011-GL



LHP-3011-RG



LHP-3011-RZ

LHP-3012

Lalia Home 3-Light 15" Classic Contemporary Clear Glass and Metal Hanging Pendant Chandelier for Kitchen Island Foyer Hallway Living Room Den Dining Room

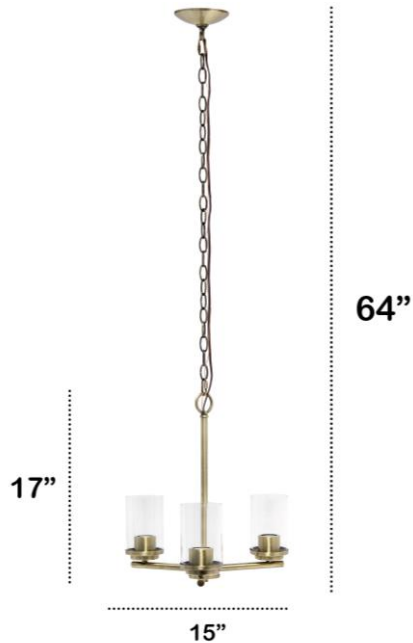
Three cylindrical clear glass shades

Assembly and hardwiring required

Requires 3 x 40 watt E26 medium base A19 bulbs (not included)

Each of the 3 shades measure 3.5" diameter by 5.25" high

Finishes: Antique Brass, Brushed Nickel, Chrome, Gold, Rose Gold, Restoration Bronze



64"

17"

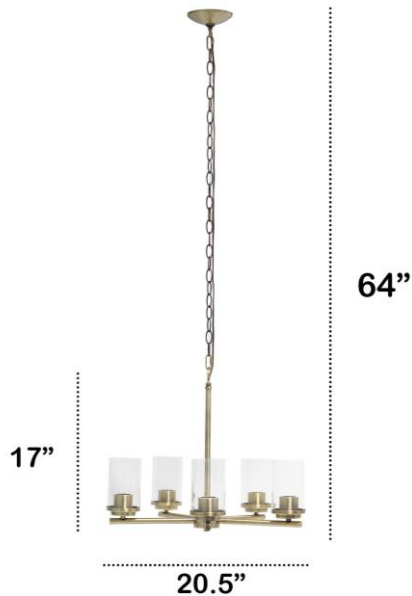
15"

Shown: LHP-3012-AB



LHP-3013

Lalia Home 5-Light 20.5" Classic Contemporary Clear Glass and Metal Hanging Pendant Chandelier for Kitchen Island Foyer Hallway Living Room Den Dining Room



Five cylindrical clear glass shades

Assembly and hardwiring required

Requires 5 x 40 watt E26 medium base A19 bulbs (not included)

Each of the 5 shades measure 3.5" diameter by 5.25" high

Finishes: Antique Brass, Brushed Nickel, Chrome, Gold, Rose Gold, Restoration Bronze

Shown: LHP-3013-AB



LHT-3000-OF

Lalia Home 19" Contemporary Bohemian Ceramic Eyelet Pattern Floral Textured Bedside Table Lamp with White Fabric Shade, OffWhite

Crisp white fabric shade for a clean, fresh look

Off white angular ceramic base with floral eyelet pattern for a contemporary, sophisticated look

Easily accessible rotary switch located on the socket allowing a quick and easy on/off function as needed.

Requires 1 x 40-watt E26 medium base A19 bulbs (not included)

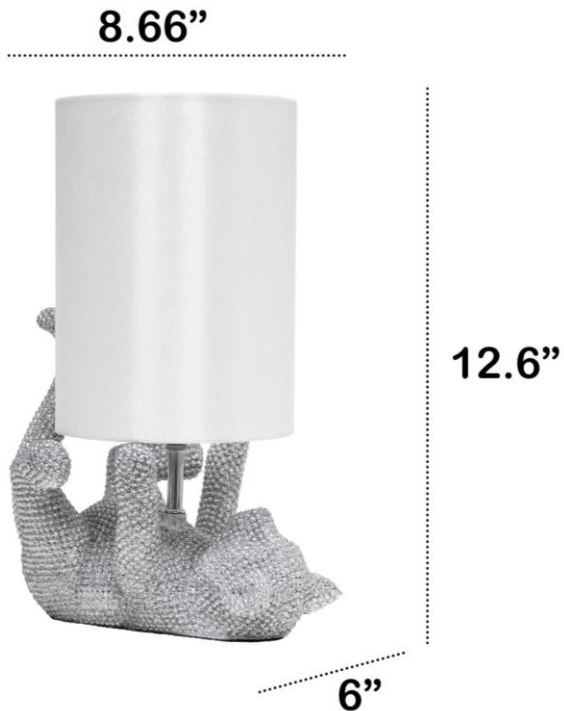
Shade measures D: 12" x H: 9"

No assembly required



LHT-3002-SL

Lalia Home 12.6" Diamond Studded Rhinestone Look Kitty Cat Feline Kids Desk Nightstand Table Lamp with Faux Silk Fabric Shade, Silver



White shade of faux silk

Studded feline base

Features an in-line on/off rocker switch

Requires 1 x 40 watt E26 medium base A19 bulbs (not included)

Lightweight

No assembly required

LHT-3003-CL

Lalia Home 17.75" Contemporary Engraved Honeycomb Glass Table Desk Lamp with White Fabric Shade, Clear



White fabric shade

Etched honeycomb glass base

Features an in-line on/off rocker switch

Requires 1 x 60 watt E26 medium base A19 bulbs
(not included)

Features a 60" clear plug in cord

No assembly required

LHT-3005

Lalia Home 15.25" Modern Ovaloid Glass Bedside Table Lamp with White Fabric Shade

12"

15.25"

Crisp white fabric shade

Features a convenient in-line on/off rocker switch

Requires 1 x 60 watt E26 medium base A19 bulbs (not included)

Features a 60" clear plug in cord

Base Colors: Aqua, Blue, Gray

Shown: LHP-3005-AU



LHP-3005-BL



LHP-3005-GY

LHT-4006-SG

Lalia Home 23.25" Contemporary Rippled Colored Glass Bedside Desk Table Lamp with White Fabric Shade, Green/Gray Sage



Crisp white fabric shade for a clean, fresh look

Curvy clear sage glass for the perfect pop of color

Features a rotary switch on socket for convenience

Shade measures D: 11" x H: 10"

Features a 60" clear plug in cord

Requires 1 x 60 watt E26 medium base A19 bulb (not included)

LHT-4007-GY

Lalia Home 25" Classic Fluted Ceramic and Metal Table Lamp with White Fabric Shade for Bedside Desk Foyer Endtable Dresser Dining Room, Gray



Crisp white fabric shade for a clean, fresh look

Fluted soft gray ceramic base to fit into any décor

Features a push pin switch on socket

Shade measures D: 14" x H: 10"

Features a 60" black plug in cord

Requires 1 x 60 watt E26 medium base A19 bulb
(not included)

LHT-4017

Lalia Home 21" Vintage Rattan Wicker Style Paper Rope Bedside Table Lamp with Fabric Shade



10.25"

Shown: LHT-4017-BK

Linen shade and paper rope base

Features a rotary switch on socket for convenience

Shade measures D: 10.25" x H: 9"

21" Features a 60" plug in cord

Colors: Black base/ light gray shade, Natural base/ light beige shade

Requires 1 x 40-watt E26 medium base A19 bulb (not included)



LHT-4017-NA

LHT-4019-GY

Lalia Home 17.63" Contemporary Fluted Glass Bedside Table Lamp with Gray Fabric Shade, Clear

11"



17.625"

Fabric gray tapered shade

Glass base of vertically textured pattern

Features a rotary switch on socket for convenience

Shade measures D: 11" x H: 8"

Features a 60" clear plug in cord

Requires 1 x 60 watt E26 medium base A19 bulb (not included)

Perfect for your nightstand, tabletop, entryway or space of choice!

LHW-2000

Lalia Home 8" Modern Contemporary 1-Light Bathroom Vanity Hallway Powder Room Dining Room Living Room Bedside Crystal and Metal Wall Sconce Lighting Fixture



Shade measures 8"L x 4.5"W x 8"H and is embellished with clear crystals

Perfect size for your hallway, bathroom, office, entryway, stairwell, dining room, living room or bedroom

Assembly and hardwiring required

Requires 1 x 40-watt type B10 E12 candelabra base bulb (not included)

Finishes: Matte Black, Matte White

Shown: LHW-2000-BK



LHW-2000-WH