



BEVERAGE-AIR

Project: _____

AIA#

Item: _____

Location: _____

SIS#

Approved: _____

SPE ELITE SERIES FOOD PREPARATION TABLES

SPE27HC Dual Sided Mega Top Sandwich Prep Table

Hydrocarbon Series

MODELS:

SPE27HC-12M-B-DS



SPE27HC-12M-B-DS

3 Year Parts/Labor Warranty
Additional 2 Year Compressor Warranty

CABINET CONSTRUCTION

- Stainless steel front, sides, top, door and grille (*galvanized back & bottom*)
- Interior liner is made of corrosion resistant aluminum
- Full electronic control
- Removable hoods and insulated lid assemblies are made of matching stainless steel
- Dual sided table
- Airflow assures that product in open containers is kept below 41°F and above freezing
- Self-closing door with 120° Stay-open feature, on cartridge style hinges
- Easy door removal for service and cleaning
- Field-reversible door with snap-in door gaskets
- Painted aluminum door handle
- 6" Casters, 2 with brakes standard
- One (1) 10" and one (1) 12" Wide cutting boards constructed of white polyethylene plastic
- Cutting boards removable for cleaning
- Two (2) epoxy-coated steel wire shelves standard
- Twelve (12) 4" deep pans constructed of polycarbonate plastic
- Enhanced airflow maintains temperature between 36° to 38°F

OPTIONS & ACCESSORIES

- Stainless steel back
- Stainless steel interior
- Right or left hinged
- Locks (doors only)
- Overshelves (single or double)
- Drawers models
- Crumb catcher
- 6" legs or 3" casters available
- Low profile casters
- Richlite & composite cutting board
- Night cover
- Shelf dividers
- Pan Supports
- Digital / stem dial thermometer
- Remote option

REFRIGERATION SYSTEM

- Refrigeration system uses R290 refrigerant to comply with all environmental concerns
- Automatic, non-electric defrost
- Epoxy coated evaporator coil

SPE27HC Elite Series Sandwich Prep: Mega Top Series

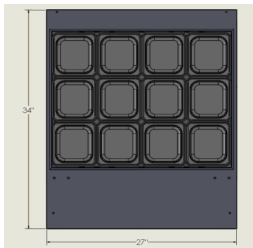


3779 Champion Blvd., Winston-Salem, NC 27105
1-888-845-9800 Fax: 1-336-245-6453
Beverage-Air.com sales@bevair.com



BEVERAGE-AIR

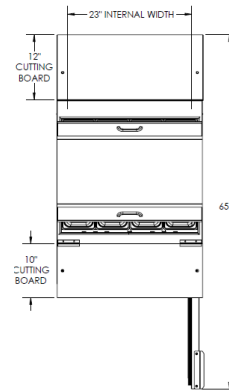
MODEL	SPE27HC-12M-B-DS
EXTERNAL DIMENSIONAL DATA	
Width Overall	27"
Depth Overall Cutting Board & Bumper	38 1/2"
Height Overall 6" Casters	46 3/4"
Number of Doors	1
Depth with Door Open 90 °	65 5/8"
Clear Door Opening (in)	22 5/8" x 21 5/8"
Depth, Cutting Board	10"
INTERNAL DIMENSIONAL DATA	
NET Capacity (cubic ft.)	6.91
Internal Width Overall (in)	23"
Internal Depth Overall (in)	23 1/2"
Internal Depth Useable (in)	Upper 18 1/2" Lower 15 1/2"
Internal Height Overall (in)	23"
Internal Height Useable (in)	17 5/8"
Number of Shelves	2
Number of Pans	(12) 1/6 size
ELECTRICAL DATA	
Full Load Amperes 115/60/1	2
REFRIGERATION DATA	
Horsepower	1/6
Capacity (BTU/Hr)*	1140
WEIGHT DATA	
Gross Weight (Crated lbs)	242 lbs
Height - Crated	49"
Width - Crated	30"
Depth - Crated	30"



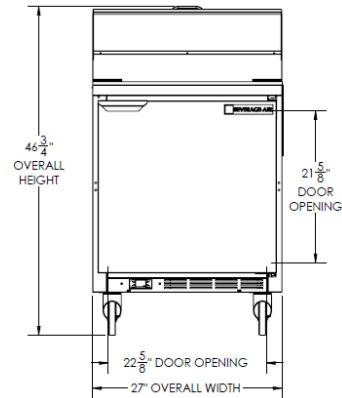
Food Preparation Table — Mega Top

Models: SPE27HC-12M-B-DS

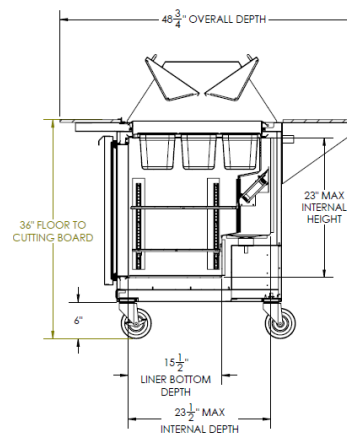
Model Views



Plan View



Elevation View



Side View

ELECTRICAL CONNECTION



115/60/1
NEMA-5-15P

Units pre-wired at factory and include 8' long cord and plug set.



an Ali Group Company



The Spirit of Excellence

3779 Champion Blvd., Winston-Salem, NC 27105
1-888-845-9800 Fax: 1-336-245-6453
Beverage-Air.com sales@bevair.com