



# BEVERAGE-AIR

|                 |      |
|-----------------|------|
| Project: _____  | AIA# |
| Item: _____     |      |
| Location: _____ | SIS# |
| Approved: _____ |      |

## MARKETMAX® BOTTOM MOUNT WINE REFRIGERATOR

MODEL:  
MMR44HC-1-B-WINE

MMR44HC Hinged Double Glass Door  
Hydrocarbon Series



**3 Year Parts/Labor Warranty**  
**Additional 4 Year Compressor Warranty**

### CABINET CONSTRUCTION

- Exterior finish is heavy duty steel with a black baked on durable coating
- Heavy-duty interior construction includes white coated steel walls
- Modern one-piece grille
- Full electronic control
- Double pane lowE argon filled glass door
- Self-closing door with 120° stay-open feature
- Snap-in gaskets, easy to remove for cleaning or replacement
- Door locks
- LED lighting
- Five (5) heavy duty epoxy coated wire shelves per door section
- Four (4) shelf clips included per shelf
- Self-contained bottom mount refrigeration system

### OPTIONS & ACCESSORIES

- Stainless steel or white exterior option
- Black or stainless steel interior option
- Wine rack upgrades: flat and curved (see page 3 for options)
- Additional shelves
- Stainless steel shelf clips
- White and red wine specific controllers 35°F-62°F (see page 3 for options)
- Casters 3" or 6"
- Electronic door lock (Must be ordered at time of unit order)
- Custom wine signage (see page 3 for options)
- Left and right hand door swing (at time of order)
- 6" Legs or 6" seismic leg
- Remote option (see note on back page)

### REFRIGERATION SYSTEM

- Uses environmentally friendly, energy efficient R290 refrigerant, and meets all regulatory requirements for CARB, SNAP, DOE & more
- Adaptive Defrost
- Epoxy coated evaporator coil
- Maintains product temperatures between 35°F to 62°F

**MMR44HC Bottom Mount Wine Refrigerator**



Please verify qualifying units by visiting:  
[www.energystar.gov/cfs](http://www.energystar.gov/cfs)

3779 Champion Blvd., Winston-Salem, NC 27105  
1-888-845-9800 Fax: 1-336-245-6453  
Beverage-Air.com Sales@bevair.com



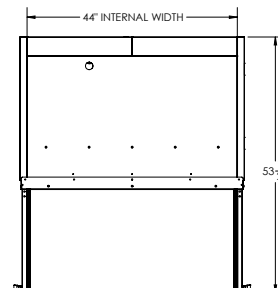
# BEVERAGE-AIR

| MODEL                            | MMR44HC-1-B-WINE  |
|----------------------------------|-------------------|
| <b>EXTERNAL DIMENSIONAL DATA</b> |                   |
| Width Overall                    | 47"               |
| Depth Overall (with handle)      | 33 5/8"           |
| Height Overall                   | 78"               |
| Number of Doors                  | 2                 |
| Depth with Door Open 90°         | 53 1/2"           |
| Door Openings (in)               | 20 1/8" x 52 5/8" |
| <b>INTERNAL DIMENSIONAL DATA</b> |                   |
| NET Capacity (cubic ft.)         | 40.2              |
| Internal Width Overall (in)      | 44"               |
| Internal Depth Overall (in)      | 26"               |
| Internal Height Usable (in)      | 53"               |
| No. of Shelves                   | 10                |
| <b>ELECTRICAL DATA</b>           |                   |
| Full Load Amperes Refrigerator   | 5.4               |
| <b>REFRIGERATION DATA</b>        |                   |
| Horsepower                       | 1/3               |
| Capacity (BTU/Hr)*               | 2392              |
| <b>SHIPPING DATA</b>             |                   |
| Gross Weight (crated lbs)        | 550 lbs           |
| Height - Crated                  | 85"               |
| Width - Crated                   | 36"               |
| Depth - Crated                   | 49"               |

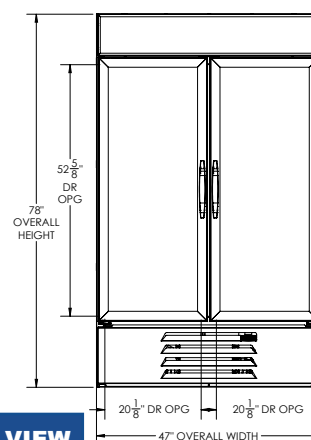
\*NOTE: Remote units are field wired and come with 6" legs.  
Refrigerant must be specified at time of order.

## Bottom Mount Reach-In Glass Door Wine Refrigerator Model: MMR44HC-1-B-WINE

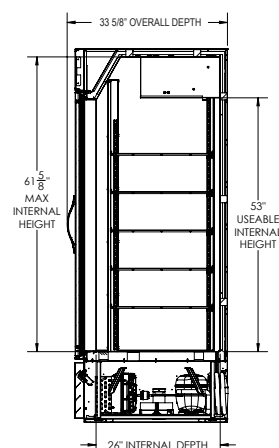
### Model Views



### PLAN VIEW



### ELEVATION VIEW



### SIDE VIEW

### \*ELECTRICAL CONNECTION



115/60/1  
NEMA 5-15P

Units pre-wired at factory and include 8' long cord and plug set.



3779 Champion Blvd., Winston-Salem, NC 27105 1-888-845-9800 Fax: 1-336-245-6453 Beverage-Air.com Sales@bevair.com

an Ali Group Company



The Spirit of Excellence



**BEVERAGE-AIR.**

## WINE OPTION UPGRADES

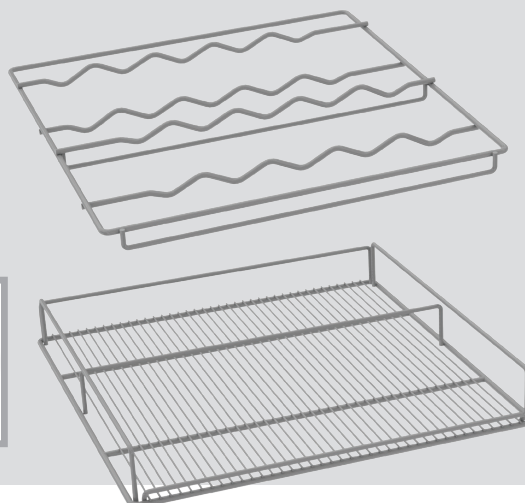
### SIGNAGE

Two wine header panels to choose from to call attention to the wine selection



### SHELVING

We offer curved and flat wine racks, designed to secure the bottles while keeping them prominently on display. Available in white, black, and chrome finish.



### CONTROLLER

White and Red wine specific controllers available. Easily programmed to keep unit and its contents at the necessary set point (between 35-62° F)





**BEVERAGE-AIR.**

**Notes:**

---

---

---

---

---

---

---

---

---

---

---

---

---

---

---

---

---

---

---

---

---

---

---

---

---

