



# BEVERAGE-AIR

Project: _____	AIA#
Item: _____	
Location: _____	SIS#
Approved: _____	

## MARKETMAX® DUAL TEMP BOTTOM MOUNT WINE REFRIGERATOR

MODEL:  
MMRR72HC-1-C-BW-WINE

MMRR72HC Hinged Triple Glass Door  
Hydrocarbon Series

MMRR72HC Dual Temp Bottom Mount Wine Refrigerator



### 3 Year Parts/Labor Warranty Additional 4 Year Compressor Warranty

#### CABINET CONSTRUCTION

- Exterior finish is heavy duty steel with a black baked on durable coating
- Heavy-duty interior construction includes white coated steel walls
- Modern one-piece grille
- Full electronic control
- Dual temp refrigerator/refrigerator units provide two different operating temperature zones for different types of products
- Double-pane lowE argon filled glass door
- Self-closing door with 120° stay-open feature
- Snap-in gaskets, easy to remove for cleaning or replacement
- Door locks
- LED lighting
- Five (5) white heavy-duty epoxy coated wire shelves
- Four (4) shelf clips included per shelf
- Self-contained bottom mount refrigeration system

#### OPTIONS & ACCESSORIES

- Stainless steel or white exterior option
- Black or stainless steel interior option
- Wine rack upgrades: flat and curved (see page 3 for options)
- Additional shelves
- Stainless steel shelf clips
- White and red wine specific controllers 35°F-62°F (see page 3 for options)
- Casters 3" or 6"
- Electronic door lock (Must be ordered at time of unit order)
- Custom wine signage (see page 3 for options)
- Left and right hand door swing (at time of order)
- 6" Legs or 6" seismic leg
- Remote option\* (see note on back page)

#### REFRIGERATION SYSTEM

- Uses environmentally friendly, energy efficient R290 refrigerant, and meets all regulatory requirements for CARB, SNAP, DOE & more
- Adaptive Defrost
- Epoxy coated evaporator coil
- Maintains product temperatures between 35°F to 62°F



Please verify qualifying units by visiting:  
[www.energystar.gov/cfs](http://www.energystar.gov/cfs)

3779 Champion Blvd., Winston-Salem, NC 27105  
1-888-845-9800 Fax: 1-336-245-6453  
Beverage-Air.com Sales@bevair.com



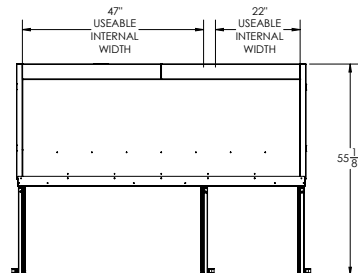
# BEVERAGE-AIR

## Dual Temp Bottom Mount Reach-In Glass Door Wine Refrigerator Model: MMRR72HC-1-C-BW-WINE

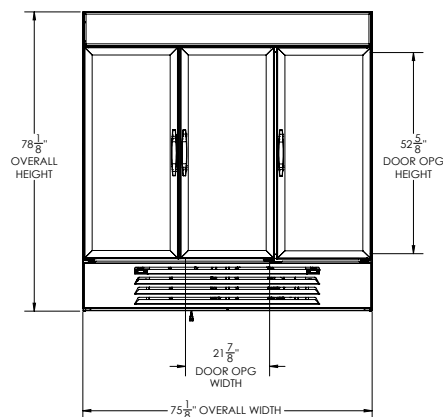
MODEL	MMRR72HC-1-C-BW-WINE
<b>EXTERNAL DIMENSIONAL DATA</b>	
Width Overall	75 1/8"
Depth Overall (with handle)	33 1/2"
Height Overall	78 1/8"
Number of Doors	3
Depth with Door Open 90°	55 1/8"
Door Openings (in)	21 7/8" x 52 5/8"
<b>INTERNAL DIMENSIONAL DATA</b>	
NET Capacity (cubic ft.) Refrigerator/ Refrigerator	R 45.85 - R 19.62
Internal Width Overall (in)	R 47" - R22"
Internal Depth Overall (in)	27"
Internal Height Usable (in)	53"
<b>ELECTRICAL DATA</b>	
Full Load Amperes* Refrigerator/ Refrigerator	R 2.4 - R 2.4
<b>REFRIGERATION DATA</b>	
Horsepower Refrigerator/ Refrigerator	R 1/4 - R 1/4
Capacity (BTU/Hr)* Refrigerator/ Refrigerator	R 1702 - R 1702
<b>SHIPPING DATA</b>	
Gross Weight (crated lbs)	950 lbs
Height - Crated	85"
Width - Crated	36"
Depth - Crated	77"

\*NOTE: Remote units are field wired and come with 6" legs.  
Refrigerant must be specified at time of order.

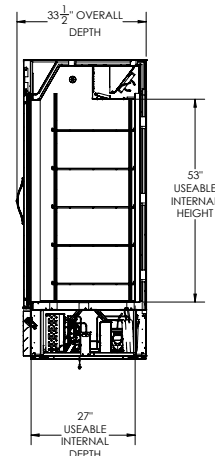
### Model Views



### PLAN VIEW



### ELEVATION VIEW



### SIDE VIEW

### \*ELECTRICAL CONNECTION



115/60/1  
(2) NEMA 5-15P long cord and plug set.

Units pre-wired at factory and include 8' long cord and plug set.



3779 Champion Blvd., Winston-Salem, NC 27105 1-888-845-9800 Fax: 1-336-245-6453 Beverage-Air.com Sales@bevoir.com

an Ali Group Company



The Spirit of Excellence



**BEVERAGE-AIR.**

## WINE OPTION UPGRADES

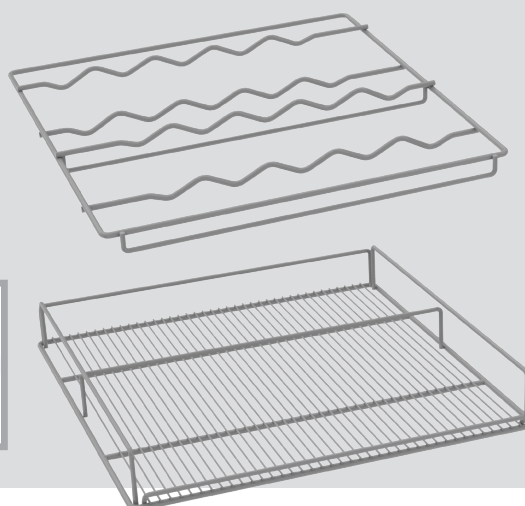
### SIGNAGE

Two wine header panels to choose from to call attention to the wine selection



### SHELVING

We offer curved and flat wine racks, designed to secure the bottles while keeping them prominently on display. Available in white, black, and chrome finish.



### CONTROLLER

White and Red wine specific controllers available. Easily programmed to keep unit and its contents at the necessary set point (between 35-62° F)



