



BEVERAGE-AIR

Project: _____

AIA#

Item: _____

Location: _____

SIS#

Approved: _____

RI REACH-IN REFRIGERATORS

RI18HC Half Glass Door Bottom Mount Refrigerator Hydrocarbon Series

MODELS:
RI18HC-HG



3 Year Parts/Labor Warranty
Additional 4 Year Compressor Warranty

CABINET CONSTRUCTION

- Stainless steel exterior and interior
- Full electronic control
- Interior LED Light
- Five (5) shelves standard
- One piece grille
- Self-closing doors with 120° Stay-open feature, on spring loaded hinges
- Snap-in magnetic door gasket
- 3" heavy duty casters standard
- Maintains temperature between 36° and 38°F

OPTIONS & ACCESSORIES

- Epoxy shelves & clips
- 6" casters or 6" leg optional
- Wire shelf dividers
- Right or left hinged door
- Remote option (see note on back page)

REFRIGERATION SYSTEM

- Refrigeration system uses R290 refrigerant to comply with all environmental concerns
- Automatic, non-electric defrost
- Epoxy coated evaporator coil

RI18HC BOTTOM MOUNT REACH-INS: RI SERIES MODELS



3779 Champion Blvd., Winston-Salem, NC 27105
1-888-845-9800 Fax: 1-336-245-6453
Beverage-Air.com sales@bevair.com



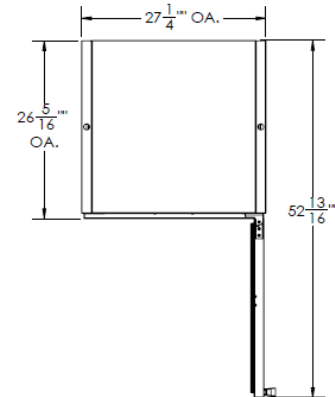
BEVERAGE-AIR

Bottom Mount Reach-In Half Glass Door Models: RI18HC-HG

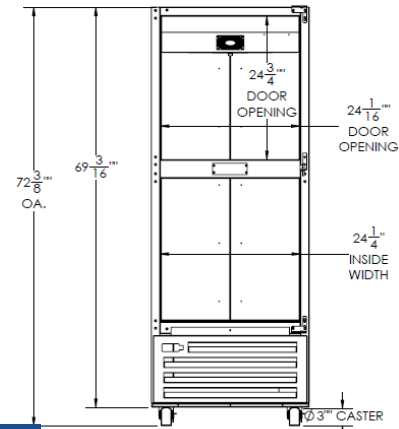
MODEL	RI18HC-HG
EXTERNAL DIMENSIONAL DATA	
Width Overall	27 1/4"
Depth Overall	29 1/4"
Height Overall	72 3/8"
Number of Doors	2
Depth with Door Open 90°	52 15/16"
Door Opening (in)	24 3/4" x 24 1/16"
INTERNAL DIMENSIONAL DATA	
NET Capacity (cubic ft.)	16.85
Internal Width Overall (in)	24 1/4"
Internal Depth Overall (in)	23 7/8"
Internal Height Overall (in)	Front 52 15/16" Rear 46 11/16"
Number of Shelves	5
ELECTRICAL DATA	
Full Load Amperes 115/60/1	5.5
REFRIGERATION DATA	
Horsepower	1/4
Capacity BTU	1997
WEIGHT DATA	
Gross Weight (Crated lbs)	334 lbs
Height - Crated	75"
Width - Crated	30"
Depth - Crated	32"

*NOTE: Remote units are field wired and come with 6" legs. Refrigerant must be specified at time of order.

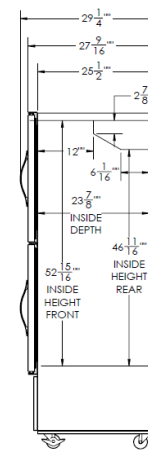
Model Views



Plan View



Elevation View



Side View

ELECTRICAL CONNECTION



115/60/1
NEMA-5-15P

Unit pre-wired at factory and include 8' long cord and plug set.



an Ali Group Company



The Spirit of Excellence

3779 Champion Blvd., Winston-Salem, NC 27105
1-888-845-9800 Fax: 1-336-245-6453
Beverage-Air.com sales@bevair.com