



# BEVERAGE-AIR

Project: \_\_\_\_\_

AIA#

Item: \_\_\_\_\_

Location: \_\_\_\_\_

SIS#

Approved: \_\_\_\_\_

## RI REACH-IN REFRIGERATORS

RI18HC Half Solid Door Bottom Mount  
Hydrocarbon Series

**MODELS:**  
RI18HC-HS



**3 Year Parts/Labor Warranty**  
**Additional 4 Year Compressor Warranty**

### CABINET CONSTRUCTION

- Stainless steel exterior and interior
- Full electronic control
- Interior LED Light
- Five (5) shelves standard
- One piece grille
- Self-closing doors with 120° Stay-open feature, on spring loaded hinges
- Snap-in magnetic door gasket
- 3" heavy duty casters with two brakes standard
- Maintains temperature between 36° and 38°F

### OPTIONS & ACCESSORIES

- Epoxy shelves & clips
- 6" casters or 6" leg optional
- Wire shelf dividers
- Right or left hinged door
- Remote option (see note on back page)

### REFRIGERATION SYSTEM

- Refrigeration system uses R290 refrigerant to comply with all environmental concerns
- Automatic, non-electric defrost
- Epoxy coated evaporator coil

**RI18HC BOTTOM MOUNT REACH-INS: RI SERIES MODELS**



3779 Champion Blvd., Winston-Salem, NC 27105  
1-888-845-9800 Fax: 1-336-245-6453  
Beverage-Air.com sales@bevair.com



# BEVERAGE-AIR

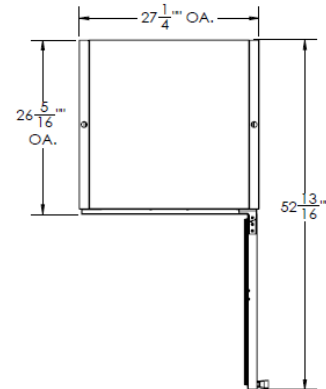
MODEL	RI18HC-HS
<b>EXTERNAL DIMENSIONAL DATA</b>	
Width Overall	27 1/4"
Depth Overall	29 1/4"
Height Overall with 3" Casters	72 3/8"
Number of Doors	2
Depth with Door Open 90°	52 13/16"
Door Opening (inches)	24 3/4" x 24 1/16"
<b>INTERNAL DIMENSIONAL DATA</b>	
NET Capacity (cubic ft.)	16.85
Internal Width Overall (in)	24 1/4"
Internal Depth Overall (in)	23 7/8"
Internal Height Overall—(in)	Front 52 15/16" Rear 46 11/16"
Number of Shelves	5
<b>ELECTRICAL DATA</b>	
Full Load Amperes 115/60/1	5.5
<b>REFRIGERATION DATA</b>	
Horsepower	1/4
Capacity BTU	1997
<b>WEIGHT DATA</b>	
Gross Weight (Crated lbs)	328 lbs
Height - Crated	75"
Width - Crated	30"
Depth - Crated	32"

\*NOTE: Remote units are field wired and come with 6" legs. Refrigerant must be specified at time of order.

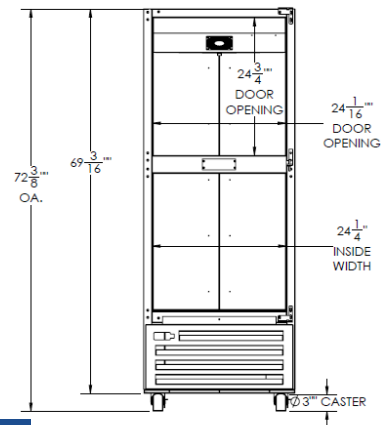
## Bottom Mount Reach-In

Models: RI18HC-HS

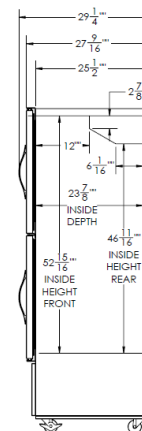
### Model Views



Plan View



Elevation View



Side View

### ELECTRICAL CONNECTION



115/60/1  
NEMA-5-15P

Unit pre-wired at factory and include 8' long cord and plug set.



an Ali Group Company



The Spirit of Excellence

3779 Champion Blvd., Winston-Salem, NC 27105  
1-888-845-9800 Fax: 1-336-245-6453  
Beverage-Air.com sales@bevair.com