



BEVERAGE-AIR

Project: _____	AIA#
Item: _____	SIS#
Location: _____	
Approved: _____	

REACH-IN / PASS-THRU REFRIGERATORS

RID18HC Half Solid Door Bottom Mount
Hydrocarbon Series

MODEL:
RID18HC-HS



3 Year Parts/Labor Warranty
Additional 4 Year Compressor Warranty

CABINET CONSTRUCTION

- Stainless steel exterior and interior
- Full electronic control
- Interior LED Light
- Three (3) shelves per section standard
- One piece grille
- Cartridge style hinges
- 120° hold open feature
- Snap-in magnetic door gasket
- 3" heavy duty casters with two brakes standard

OPTIONS & ACCESSORIES

- Epoxy shelves & clips
- 6" casters or 6" leg optional
- Wire shelf dividers
- Right or left hinged door
- Remote option (see note on back page)

REFRIGERATION SYSTEM

- Uses environmentally friendly, energy efficient R290 refrigerant, and meets all regulatory requirements for CARB, SNAP, DOE & more
- Adaptive Defrost
- Epoxy coated evaporator coil
- Maintains temperature between 36° and 38°F

RID18HC BOTTOM MOUNT REACH-INS: PASS-THRU SERIES



3779 Champion Blvd., Winston-Salem, NC 27105
1-888-845-9800 Fax: 1-336-245-6453
Beverage-Air.com Sales@bevair.com



BEVERAGE-AIR

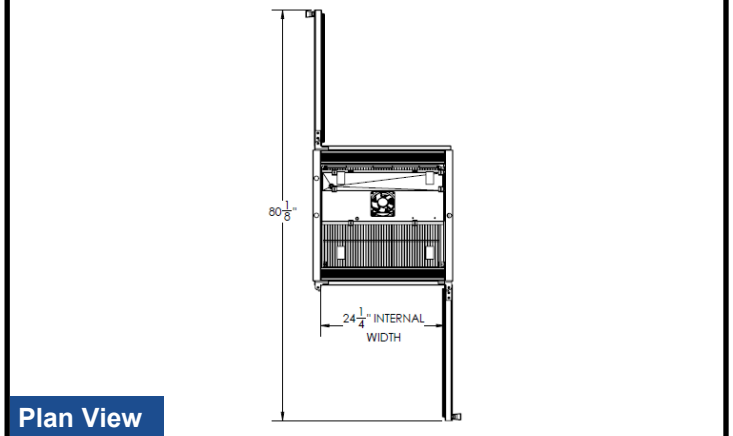
Bottom Mount Reach-In

Models: RID18HC-HS

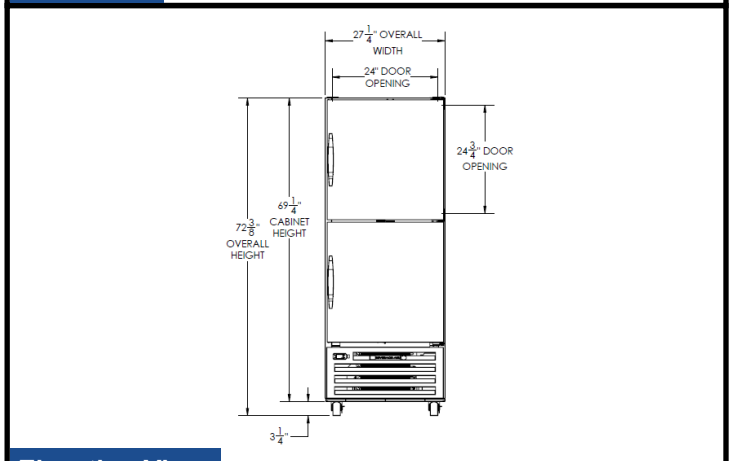
MODEL	RID18HC-HS
EXTERNAL DIMENSIONAL DATA	
Width Overall	27 1/4"
Depth Overall	32 5/8"
Height Overall with Casters	72 3/8"
Number of Doors	4
Depth with Door Open 90°	80 1/8"
Drawer Opening (inches)	24" x 24 3/4"
INTERNAL DIMENSIONAL DATA	
NET Capacity (cubic ft.)	18.38
Internal Width Overall (in)	24 1/4"
Internal Depth Overall (in)	25 1/8"
Internal Height Overall (in)	Max 53" Min 46 5/8"
Number of Shelves	4
ELECTRICAL DATA	
Full Load Amperes 115/60/1	5.5
REFRIGERATION DATA	
Horsepower	1/4
Capacity (BTU/Hr)*	1997
SHIPPING DATA	
Gross - Crated	422 lbs
Height - Crated	76"
Width - Crated	30"
Depth - Crated	35"

*NOTE: Remote units are field wired and come with 6" legs. Refrigerant must be specified at time of order.

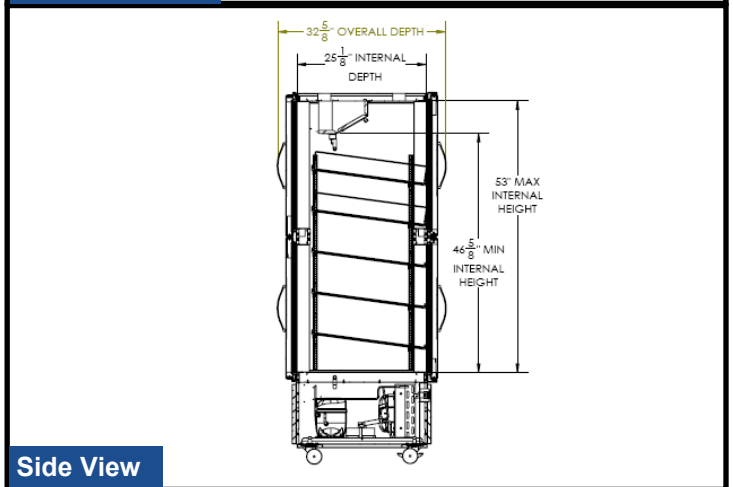
Model Views



Plan View



Elevation View



Side View

ELECTRICAL CONNECTION



115/60/1
NEMA-5-15P

Unit pre-wired at factory and include 8' long cord and plug set.



3779 Champion Blvd., Winston-Salem, NC 27105 1-888-845-9800 Fax: 1-336-245-6453 Beverage-Air.com Sales@bevair.com

an Ali Group Company



The Spirit of Excellence