



BEVERAGE-AIR

Project: _____	AIA#
Item: _____	
Location: _____	SIS#
Approved: _____	

MARKETMAX DUAL TEMPERATURE REFRIGERATOR/FREEZER

MODEL:
MMRF72HC-1-C-WW

MMRF72HC Glass Door Merchandiser
Hydrocarbon Series

MMRF72HC BOTTOM MOUNT DUAL TEMPERATURE REFRIGERATOR/FREEZER

3 Year Parts/Labor Warranty
Additional 4 Year Compressor Warranty



CABINET CONSTRUCTION

- Exterior finish is heavy duty steel with a white baked on durable coating
- Heavy duty interior construction includes white coated steel walls
- Brightly lighted sign panel
- LED lighting, standard
- Modern one-piece grille
- Full electronic control with digital display
- Dual Temp refrigerator/freezer units provide two different operating temperature zones for different types of products
- Left: refrigerator double section has double pane lowE glass doors
- Right: freezer single section has triple pane lowE glass doors
- 120° stay open door feature, with automatic stay open feature
- Anti-microbial door handles
- Snap-in gaskets, easy to remove for cleaning or replacement
- Five (5) heavy duty epoxy coated wire shelves per door section
- Four (4) shelf clips included per shelf

OPTIONS & ACCESSORIES

- Black or stainless steel exterior
- Black or stainless steel interior
- Shelves black or white
- Stainless steel clips
- Flow track
- Gravity track
- Price tag molding
- 3" or 6" Casters
- Door locks (swing doors only)
- Electronic door lock
(Must be ordered at time of unit order)
- Custom signage & decals
- Remote option* (see note on back page)

REFRIGERATION SYSTEM

- Uses environmentally friendly, energy efficient R290 refrigerant, and meets all regulatory requirements for CARB, SNAP, DOE & more
- Adaptive defrost
- Self-contained bottom mount refrigeration system
- Epoxy coated evaporator coil
- Freezer maintains product temperature to -10°F
- Refrigerator maintains product temperatures between 36°F to 38°F



Please verify qualifying units by visiting:
www.energystar.gov/cfs

3779 Champion Blvd., Winston-Salem, NC 27105
1-888-845-9800 Fax: 1-336-245-6453
Beverage-Air.com Sales@bevair.com



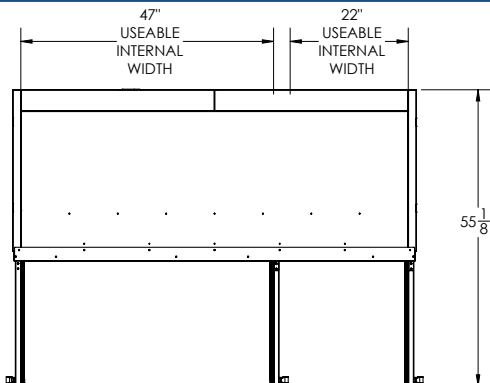
BEVERAGE-AIR

Dual Temp Merchandiser Glass Door Refrigerator/Freezer Model: MMRF72HC-1-C-WW

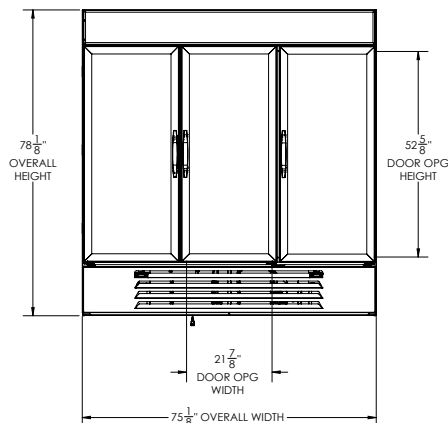
MODEL	MMRF72HC-1-C-WW
EXTERNAL DIMENSIONAL DATA	
Width Overall	75 1/8"
Depth Overall (with handle)	33 1/2"
Height Overall	78 1/8"
Number of Doors	3
Depth with Door Open 90°	55 1/8"
Door Openings (in)	21 7/8" x 52 5/8"
INTERNAL DIMENSIONAL DATA	
NET Capacity Refrigerator (cubic ft.)	44.85
NET Capacity Freezer (cubic ft.)	19.62
Internal Width Overall (in)	(R) 47" (F) 22"
Internal Depth Overall (in)	27"
Internal Height Top Usable (in)	53"
Number of Shelves	15
ELECTRICAL DATA	
Full Load Amperes Refrigerator	2.4
Full Load Amperes Freezer	7.5
REFRIGERATION DATA	
Horsepower* Refrigerator	1/4
Horsepower* Freezer	3/4
Capacity (BTU/Hr)* Refrigerator	1702
Capacity (BTU/Hr)* Freezer	1927
SHIPPING DATA	
Gross Weight - Crated	972 lbs
Height - Crated	85"
Width - Crated	77"
Depth - Crated	36"

*NOTE: Remote units are field wired and come with 6" legs.
Refrigerant must be specified at time of order.

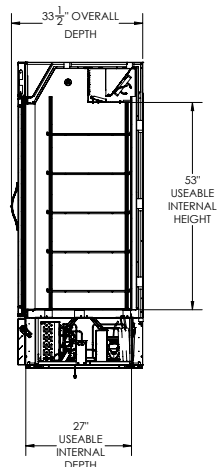
Model Views



PLAN VIEW



ELEVATION VIEW



SIDE VIEW

*ELECTRICAL CONNECTION



115/60/1
(2) NEMA 5-15P

Units pre-wired at factory
and include 8' long cord
and plug set.



an Ali Group Company



The Spirit of Excellence

3779 Champion Blvd., Winston-Salem, NC 27105
1-888-845-9800 Fax: 1-336-245-6453
Beverage-Air.com Sals@bevair.com