



BEVERAGE-AIR

Project: _____

AIA#

Item: _____

Location: _____

SIS#

Approved: _____

Draft Beer Equipment-Direct Draw Dispenser

DD50HC Solid Door Club Top

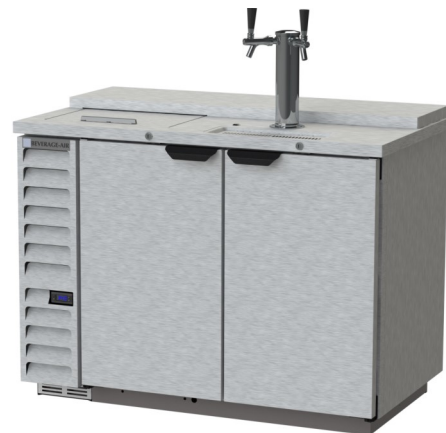
Hydrocarbon Series

MODELS:

DD50HC-1-C-B

DD50HC-1-C-S

DD50HC DIRECT DRAW DISPENSER: CLUB TOP



3 Year Parts/Labor Warranty
Additional 4 Year Compressor Warranty

CABINET CONSTRUCTION

- Exterior black or stainless steel front and door, gray painted sides
- Top is made from heavy-duty stainless steel including drip tray
- Interior is galvanized steel on walls and ceiling, reinforced floor and doorsill are heavy duty stainless steel
- Club top, easy glide stainless steel lid for additional storage of glasses, cans or bottles, includes (1) epoxy coated shelf and (1) basket
- Easy glide stainless steel lid for additional storage of glasses, cans or bottles
- Full electronic control
- Dual draft arm
- 3-in-1 Draft Solution uses a single stainless-steel tap to serve different beverages, such as wine, beer, and coffee (or other non-alcoholic beverages) through silver-lined, anti-microbial tubing that is 100% effective against the top 4 beverage spoiling bacteria
- 3" Stainless steel insulated dispensing tower
- Drain tube located at bottom front of cooler for connection to floor drain
- Self-closing doors with locks
- Magnetic gaskets provide positive door seal
- Compressor available on left or right, specify at time of unit order

OPTIONS & ACCESSORIES

- Full stainless steel exterior
- Stainless steel interior lining
- Wine models
- 3" Casters or 6" black legs

REFRIGERATION SYSTEM

- Refrigeration system uses R290 refrigerant to comply with all environmental concerns
- Automatic, non-electric defrost
- Epoxy coated evaporator coil
- Maintains product temperatures between 36°F and 38°F



3779 Champion Blvd., Winston-Salem, NC 27105
1-888-845-9800 Fax: 1-336-245-6453
Beverage-Air.com Sales@bevair.com



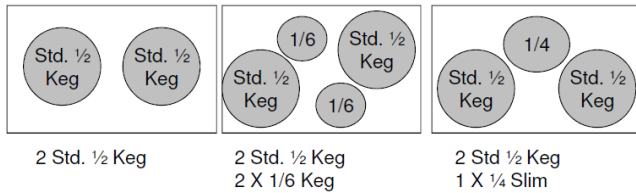
BEVERAGE-AIR

Bar Equipment-Direct Draw Dispenser Solid Door Club Top

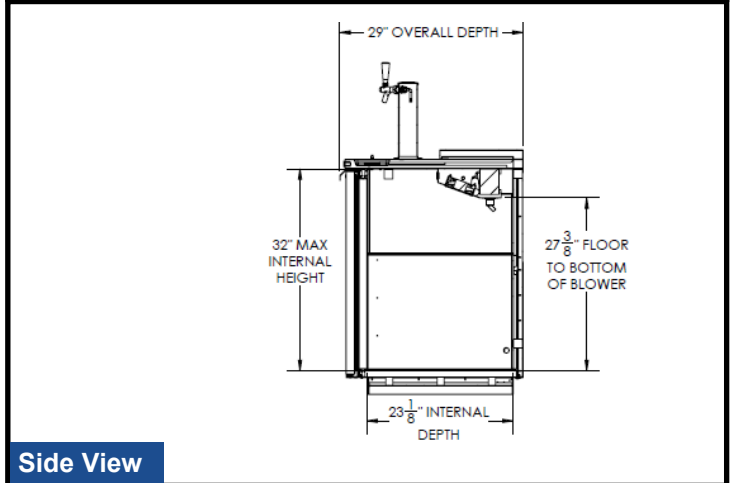
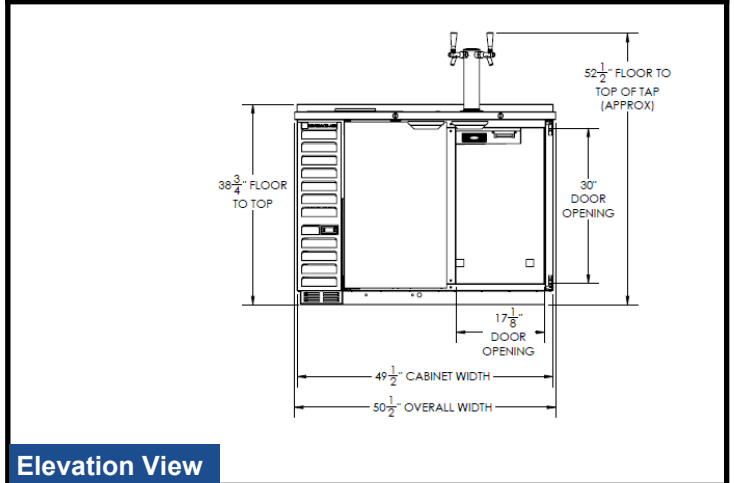
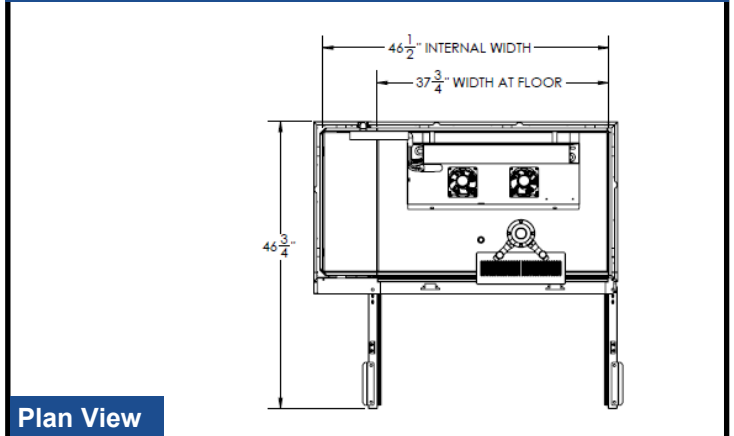
Models: DD50HC-1-C-B, DD50HC-1-C-S

MODEL	DD50HC-1-C-B	DD50HC-1-C-S
EXTERNAL DIMENSIONAL DATA		
Width Overall	50 1/2"	50 1/2"
Depth Overall with Handle	29"	29"
Height Overall	52 1/2"	52 1/2"
Number of Doors	2	2
Depth with Door Open 90°	46 3/4"	46 3/4"
Door Opening (inches)	17 1/8" x 30"	17 1/8" x 30"
INTERNAL DIMENSIONAL DATA		
NET Capacity (cubic ft.)	17.86	17.86
Internal Width Overall (in)	37 3/4"	37 3/4"
Internal Depth Overall (in)	23 1/8"	23 1/8"
Internal Height Overall—(in)	27 3/8"	27 3/8"
Number of 1/2 Kegs	2	2
ELECTRICAL DATA		
Full Load Amperes 115/60/1	2.5	2.5
REFRIGERATION DATA		
Horsepower	1/4	1/4
Capacity (BTU/Hr)	1702	1702
SHIPPING DATA		
Gross Weight - Crated	310 lbs	310 lbs
Height - Crated	42"	42"
Width - Crated	53"	53"
Depth - Crated	31"	31"

DD48/DD50 KEG CAPACITY



Model Views



ELECTRICAL CONNECTION



115/60/1
NEMA-5-15P

Unit pre-wired at factory and include 8' long cord and plug set.



3779 Champion Blvd., Winston-Salem, NC 27105 1-888-845-9800 Fax: 1-336-245-6453 Beverage-Air.com Sales@bevair.com

an Ali Group Company



The Spirit of Excellence