



BEVERAGE-AIR

Project: _____

AIA#

Item: _____

Location: _____

SIS#

Approved: _____

Draft Beer Equipment-Direct Draw Dispenser

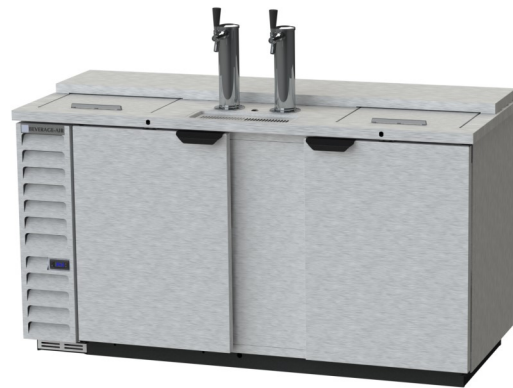
DD68HC Solid Door Club Top

Hydrocarbon Series

MODELS:

DD68HC-1-C-B

DD68HC-1-C-S



3 Year Parts/Labor Warranty
Additional 4 Year Compressor Warranty

CABINET CONSTRUCTION

- Exterior black or stainless steel front and door, gray painted sides
- Top and drip tray are heavy-duty stainless steel
- Interior is galvanized steel on walls and ceiling, reinforced floor and doorsill are heavy duty stainless steel
- Club top, easy glide stainless steel lid for additional storage of glasses, cans or bottles, includes (1) epoxy coated shelf and (1) basket
- Full electronic control
- Two (2) single faucets
- 3-in-1 Draft Solution uses a single stainless-steel tap to serve different beverages, such as wine, beer, and coffee (or other non-alcoholic beverages) through silver-lined, anti-microbial tubing that is 100% effective against the top 4 beverage spoiling bacteria
- 3" Stainless steel insulated dispensing tower
- Drain tube located at bottom front of cooler for connection to floor drain
- Self-closing door with lock
- Magnetic gaskets provide positive door seal
- Compressor available on left or right, specify at time of unit order

OPTIONS & ACCESSORIES

- Full stainless steel exterior
- Stainless steel interior lining
- Wine models
- 3" Casters or 6" black legs

REFRIGERATION SYSTEM

- Refrigeration system uses R290 refrigerant to comply with all environmental concerns
- Automatic, non-electric defrost
- Epoxy coated evaporator coil
- Maintains product temperatures between 36°F and 38°F

DD68HC DIRECT DRAW DISPENSER: CLUB TOP MODEL



3779 Champion Blvd., Winston-Salem, NC 27105
1-888-845-9800 Fax: 1-336-245-6453
Beverage-Air.com Sales@bevair.com



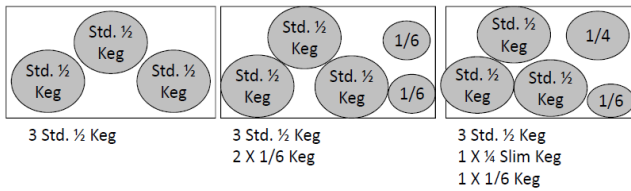
BEVERAGE-AIR

Bar Equipment-Direct Draw Dispenser Solid Door Club Top

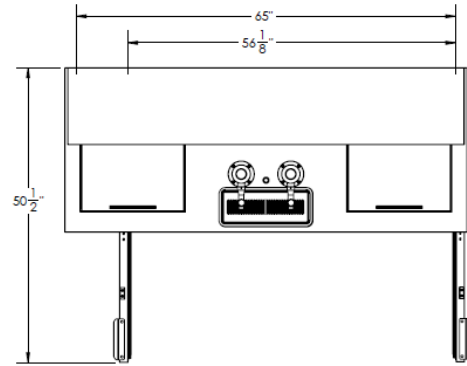
Models: DD68HC-1-C-B, DD68HC-1-C-S

MODEL	DD68HC-1-C-B	DD68HC-1-C-S
EXTERNAL DIMENSIONAL DATA		
Width Overall	69"	69"
Depth Overall with Handle	29"	29"
Height Overall	52 1/2"	52 1/2"
Number of Doors	2	2
Depth with Door Open 90°	50 1/2"	50 1/2"
Door Opening (in)	21" x 30"	21" x 30"
INTERNAL DIMENSIONAL DATA		
NET Capacity (cubic ft.)	25.93	25.93
Internal Width Overall (in)	56 1/8"	56 1/8"
Internal Depth Overall (in)	23 1/8"	23 1/8"
Internal Height Overall (in)	27 1/4"	27 1/4"
Number of 1/2 Kegs	3	3
ELECTRICAL DATA		
Full Load Amperes 115/60/1	5.5	5.5
REFRIGERATION DATA		
Horsepower	1/3	1/3
Capacity (BTU/Hr)	2392	2392
WEIGHT DATA		
Gross Weight - Crated	400 lbs	400 lbs
Height - Crated	46"	46"
Width - Crated	72"	72"
Depth - Crated	32"	32"

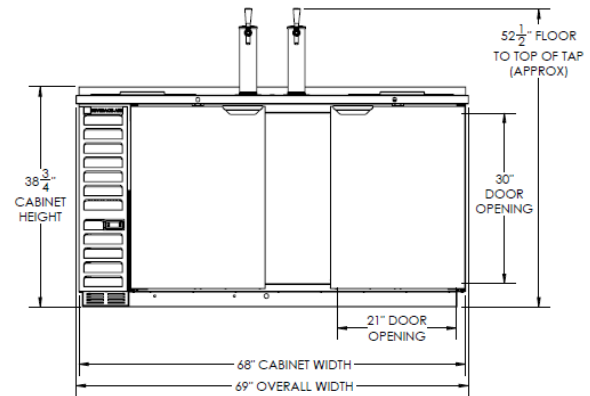
DD58/68/72 KEG CAPACITY:



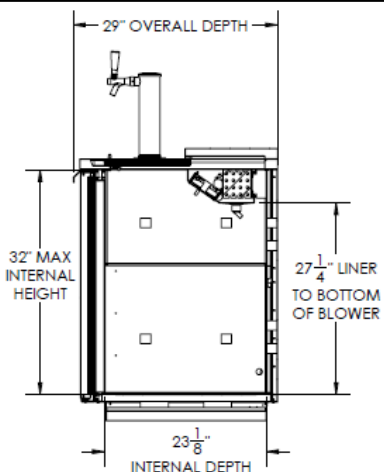
Model Views



Plan View



Elevation View



Side View

*ELECTRICAL CONNECTION



115/60/1
NEMA-5-15P

Unit pre-wired at
factory and include 8'
long cord and plug set.



3779 Champion Blvd., Winston-Salem, NC 27105 1-888-845-9800 Fax: 1-336-245-6453 Beverage-Air.com Sales@bevair.com

an Ali Group Company



The Spirit of Excellence