



BEVERAGE-AIR

Project: _____

AIA#

Item: _____

Location: _____

SIS#

Approved: _____

NC SLANT TOP BUNKERS

NC68HC Novelty Freezers

Hydrocarbon Series

MODELS:

NC68HC-1-W



NC68HC-1-W

**3 Year Parts/Labor Warranty
Additional 2 Year Compressor Warranty**

CABINET CONSTRUCTION

- Exterior is white coated steel
- Interior is white powder coated surface
- Low energy consumption
- LED lighting
- Adjustable thermostat
- Operating temperature of -10°F
- Angle top design with LowE tempered glass lids
- Lids are easily removable with lid lock & keys standard
- Round exterior edges
- Integrated tag molding
- 2" heavy duty casters
- Drain plug for easy cleaning
- 7 Removable baskets, standard

OPTIONS & ACCESSORIES

- 2 Ring Tub

REFRIGERATION SYSTEM

- Refrigeration system uses R290 refrigerant to comply with all environmental concerns

NC68HC Novelty Freezer: Slant Top Bunkers



3779 Champion Blvd., Winston-Salem, NC 27105
1-888-845-9800 Fax: 1-336-245-6453
Beverage-Air.com sales@bevair.com

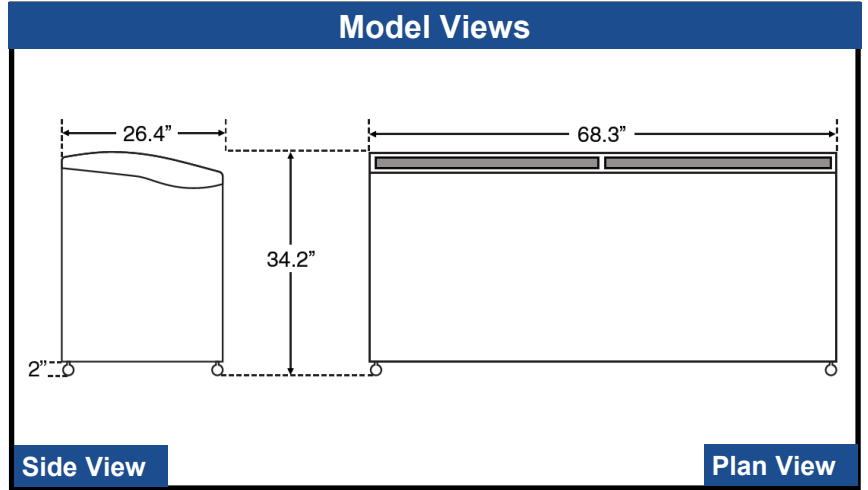


BEVERAGE-AIR

Slant Top Bunkers - Novelty Freezers

Models: NC68HC-1-W

| MODEL | NC68HC-1-W |
|----------------------------------|------------|
| EXTERNAL DIMENSIONAL DATA | |
| Width Overall | 68 2/7" |
| Depth Overall | 26 2/5" |
| Height Overall | 34 1/5" |
| Number of Lids | 2 |
| Number of Baskets | 7 |
| INTERNAL DIMENSIONAL DATA | |
| NET Capacity (cubic ft.) | 21.0 |
| ELECTRICAL DATA | |
| Full Load Amperes 115/60/1 | 4 |
| REFRIGERATION DATA | |
| Horsepower | 1/3 |
| WEIGHT DATA | |
| Gross Weight (Crated lbs) | 251 lbs |
| Height - Crated | 35.3" |
| Width - Crated | 69.5" |
| Depth - Crated | 27.7" |



ELECTRICAL CONNECTION



115/60/1
NEMA-5-15P

Units pre-wired at factory and include 8' long cord and plug set.



an Ali Group Company



The Spirit of Excellence

3779 Champion Blvd., Winston-Salem, NC 27105
1-888-845-9800 Fax: 1-336-245-6453
Beverage-Air.com sales@bevair.com