



BEVERAGE-AIR

Project: _____	AIA#
Item: _____	
Location: _____	SIS#
Approved: _____	

SMF34HC SINGLE ACCESS, FORCED AIR: SCHOOL MILK SERIES

SCHOOL MILK FORCED AIR COOLER

SMF34HC Single Access Cooler
Hydrocarbon Series

MODELS:
SMF34HC-1-S
SMF34HC-1-W



3 Year Parts/Labor Warranty
Additional 4 Year Compressor Warranty

CABINET CONSTRUCTION

- SS units: Stainless steel exterior and interior
- White units: White coated steel exterior. Interior features galvanized walls with stainless steel floor for maximum milk crate support
- Stainless steel lids, hinges doors and door latches
- Full electronic control
- Heavy-duty epoxy coated steel wire floor racks standard
- Floor drain is centrally located for easy cleaning, connecting to drain hose with hose adapter
- Flexible compression door gaskets ensure tight seal
- Self-latching doors/lids with safety bumpers
- Exterior thermometer
- Cylinder lock
- 6" Heavy-duty plate casters (2 with locks)
- Balanced, forced-air refrigeration system provides rapid chilling of product
- Maintains continuous milk temperature between 36° - 40°F

OPTIONS & ACCESSORIES

- Stainless steel interior on white models -02
- Corner bumpers
- Cafeteria tray slide
- Graphics

REFRIGERATION SYSTEM

- Uses environmentally friendly, energy efficient R290 refrigerant, and meets all regulatory requirements for CARB, SNAP, DOE & more



Please verify qualifying units by visiting:
www.energystar.gov/cfs

3779 Champion Blvd., Winston-Salem, NC 27105
1-888-845-9800 Fax: 1-336-245-6453
Beverage-Air.com Sales@bevair.com

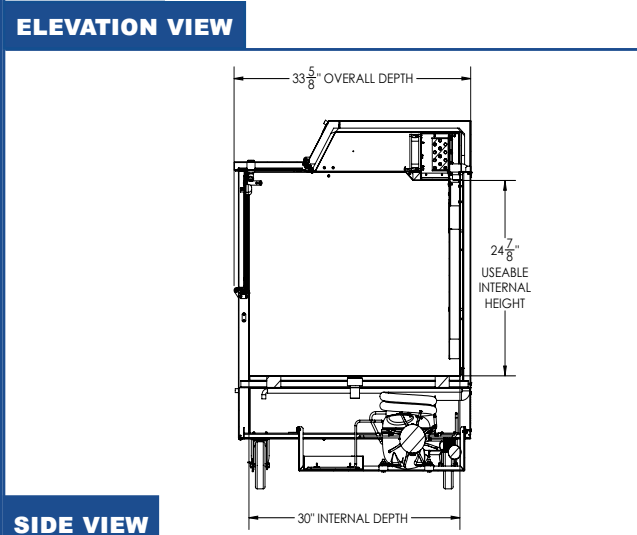
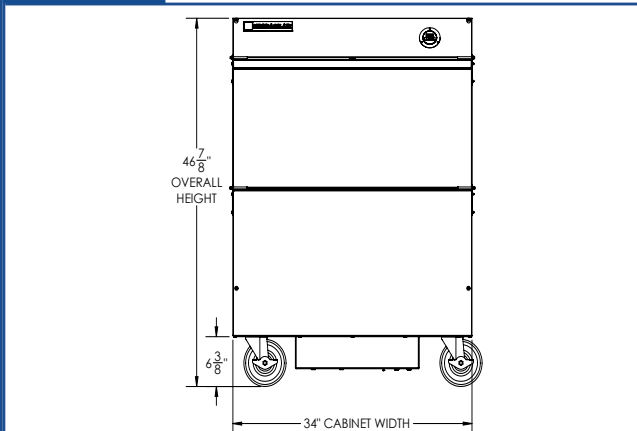
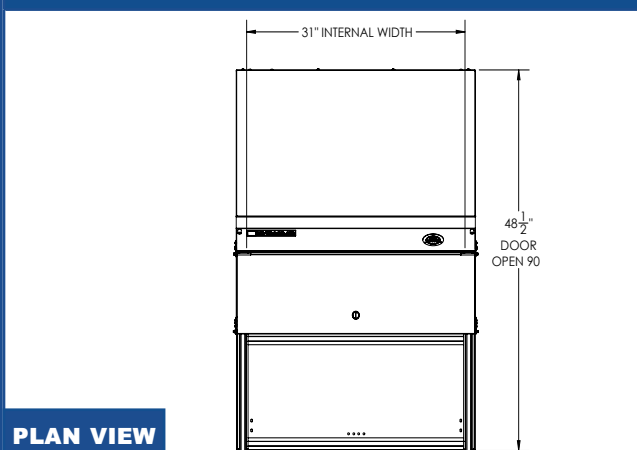


BEVERAGE-AIR

MODEL		SMF34HC-1
(white & stainless steel models)		
EXTERNAL DIMENSIONAL DATA		
Width Overall		34"
Depth Overall		30 5/8"
Height Overall with Casters		46 7/8"
Number of Lids/Doors		Single Access
INTERNAL DIMENSIONAL DATA		
NET Capacity (cubic ft.)		13.49
Internal Width Overall (in)		31"
Internal Depth Overall (in)		27"
Internal Height Usable (in)		25 3/4"
CASE CAPACITY		
13" X 13" 11"		8
19" X 13" 11"		4
ELECTRICAL DATA		
Full Load Amperes		3.0
REFRIGERATION DATA		
Horsepower		1/6
Capacity (BTU/Hr)		1010
SHIPPING DATA		
Gross Weight - Crated		367 lbs
Height - Crated		48"
Width - Crated		38"
Depth - Crated		39"

School Milk Cooler Model: SMF34HC-1

Model Views



*ELECTRICAL CONNECTION



115/60/1
NEMA 5-15P

Units pre-wired at factory and include 8' long cord and plug set.



3779 Champion Blvd., Winston-Salem, NC 27105 1-888-845-9800 Fax: 1-336-245-6453 Beverage-Air.com Sales@bevoir.com

an Ali Group Company



The Spirit of Excellence