



# BEVERAGE-AIR

Project: _____	AIA#
Item: _____	
Location: _____	SIS#
Approved: _____	

## SPE ELITE SERIES FOOD PREPARATION TABLES

### SPE32HC Mega Top Sandwich Prep Table Hydrocarbon Series

**MODELS:**  
**SPE32HC-12M**



**SPE32HC-12M**

**3 Year Parts/Labor Warranty**  
**Additional 2 Year Compressor Warranty**

### CABINET CONSTRUCTION

- Stainless steel front, sides, top, door and grille (galvanized back & bottom)
- Interior liner is made of corrosion resistant aluminum
- Full electronic control
- Removable hood and insulated lid assemblies are made of matching stainless steel
- Mega Top
- Airflow assures that product in open containers is kept below 41°F
- Self-closing door with 120° Stay-open feature, on cartridge style hinges
- Easy door removal for service and cleaning
- Field-reversible door with snap-in door gaskets
- Painted aluminum door handle
- 6" Casters, 2 with brakes standard
- 10" Wide cutting board constructed of white polyethylene plastic
- Cutting board removable for cleaning
- Two (2) epoxy-coated steel wire shelves standard
- Twelve (12) 1/6 4" deep pans constructed of polycarbonate plastic.
- Maintains product temperatures between 36° to 38°F

### OPTIONS & ACCESSORIES

- Stainless steel back
- Stainless steel interior
- Right or left hinged
- Locks (doors only)
- Overshelves (single or double)
- Drawers models
- Crumb catcher
- 6" legs or 3" casters available
- Low profile casters
- Richlite & composite cutting board
- Night cover
- Shelf dividers
- Pan Supports
- Digital / stem dial thermometer
- Remote option

### REFRIGERATION SYSTEM

- Refrigeration system uses R290 refrigerant to comply with all environmental concerns
- Automatic, non-electric defrost
- Epoxy coated evaporator coil

**SPE32HC Elite Series Sandwich Prep: Mega Top Series**



3779 Champion Blvd., Winston-Salem, NC 27105  
1-888-845-9800 Fax: 1-336-245-6453  
Beverage-Air.com sales@bevair.com



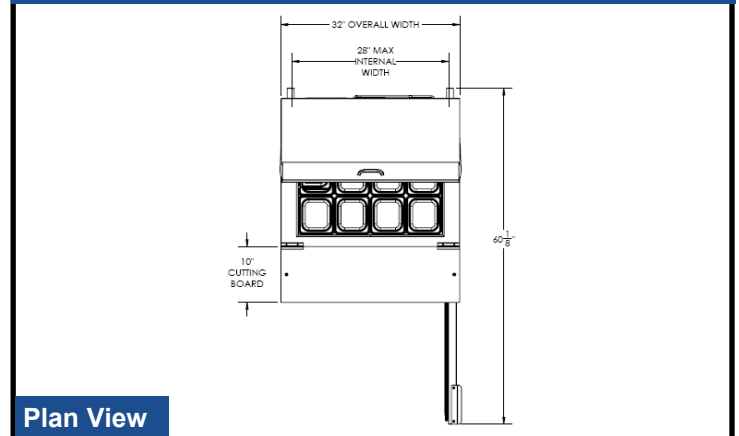
# BEVERAGE-AIR

MODEL	SPE32HC-12M
<b>EXTERNAL DIMENSIONAL DATA</b>	
Width Overall	32"
Depth Overall with Bumper & Cutting Board	38 3/8"
Height Overall with 6" Casters	49"
Number of Doors	1
Depth with Door Open 90 ° Extended	60 1/8"
Solid Door Opening (in)	27 5/8" x 21 5/8"
Depth, Cutting Board	10"
<b>INTERNAL DIMENSIONAL DATA</b>	
NET Capacity (cubic ft.)	8.0
Internal Width Overall (in)	28"
Internal Depth Overall (in)	23 3/8"
Internal Depth Useable (in)	15 3/8"
Internal Height Overall (in)	23"
Internal Height Useable (in)	17 3/8"
Number of Shelves	2
Number of Pans	(12) 1/6
<b>ELECTRICAL DATA</b>	
Full Load Amperes 115/60/1	2.0
<b>REFRIGERATION DATA</b>	
Horsepower	1/6
Capacity (BTU/Hr)*	1094
<b>WEIGHT DATA</b>	
Gross Weight (Crated lbs)	240 lbs
Height - Crated	48"
Width - Crated	37"
Depth - Crated	35 1/2"

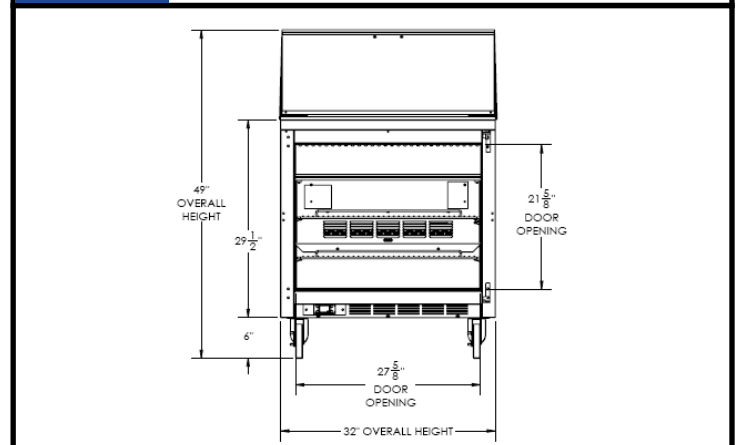
## Food Preparation Table — Mega Top

Models: SPE32HC-12M

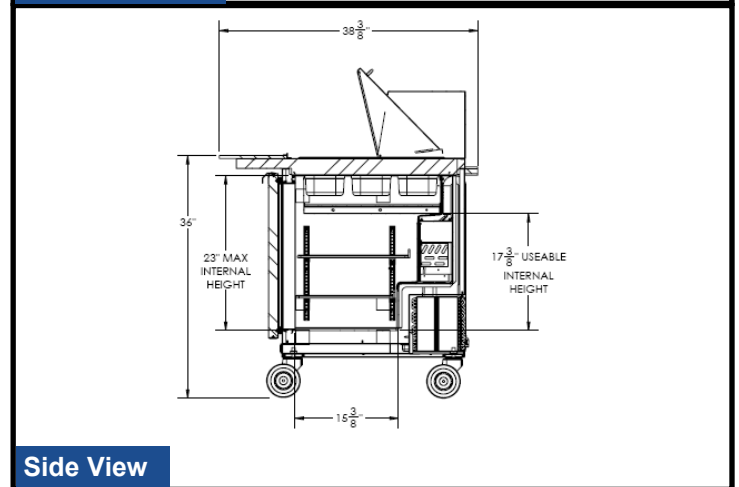
### Model Views



Plan View



Elevation View



Side View

### ELECTRICAL CONNECTION



115/60/1  
NEMA-5-15P

Units pre-wired at factory and include 8' long cord and plug set.



an Ali Group Company



The Spirit of Excellence

3779 Champion Blvd., Winston-Salem, NC 27105  
1-888-845-9800 Fax: 1-336-245-6453  
Beverage-Air.com sales@bevair.com