



BEVERAGE-AIR

| | |
|-----------------|------|
| Project: _____ | AIA# |
| Item: _____ | SIS# |
| Location: _____ | |
| Approved: _____ | |

SPE ELITE SERIES FOOD PREPARATION TABLES

SPE60HC Sandwich Prep Table with 17" Cutting Board Hydrocarbon Series

MODELS:
SPE60HC-12C



SPE60HC-12C

3 Year Parts/Labor Warranty
Additional 2 Year Compressor Warranty

CABINET CONSTRUCTION

- Stainless steel front, sides, top, doors and grille (*galvanized back & bottom*)
- Interior liner is made of corrosion resistant aluminum
- Removable hoods and insulated lid assemblies are made of matching stainless steel
- Self-closing doors with 120° Stay-open feature, on cartridge style hinges
- Field-reversible doors with snap-in door gaskets
- Painted aluminum door handles
- 6" Casters, with (2) brakes standard
- 17" Wide cutting board constructed of white polyethylene plastic
- Cutting board removable for cleaning
- Two epoxy-coated steel wire shelves per section standard
- Pans furnished are 4" deep constructed of polycarbonate plastic
- Enhanced airflow maintains temperature between 36° to 38°F

OPTIONS & ACCESSORIES

- Stainless steel back
- Stainless steel interior
- Right or left hinged
- Locks (doors only)
- Overshelves (single or double)
- Drawers models
- Crumb catcher
- 6" legs or 3" casters available
- Low profile casters
- Richlite & composite cutting board
- Night cover
- Shelf dividers
- Pan Supports
- Digital / stem dial thermometer
- Remote option

REFRIGERATION SYSTEM

- Refrigeration system uses R290 refrigerant to comply with all environmental concerns
- Automatic, non-electric defrost
- Epoxy coated evaporator coil

SPE60HC Elite Series Sandwich Prep: Cutting Top Series



3779 Champion Blvd., Winston-Salem, NC 27105
1-888-845-9800 Fax: 1-336-245-6453
Beverage-Air.com sales@bevair.com

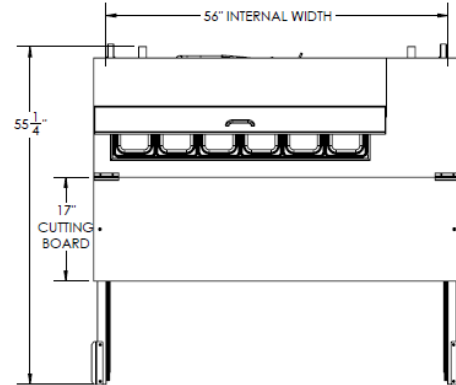


BEVERAGE-AIR

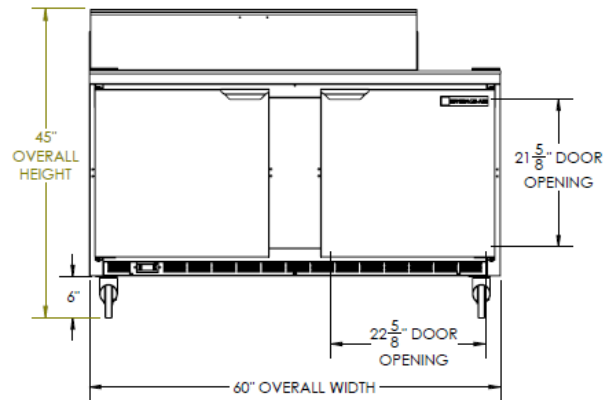
Food Preparation Table - Cutting Top Models: SPE60HC-12C

| MODEL | SPE60HC-12C |
|---|-------------------------------------|
| EXTERNAL DIMENSIONAL DATA | |
| Width Overall | 60" |
| Depth Overall with Cutting Board & Bumper | 38 3/8" |
| Height Overall with 6" Casters | 45" |
| Number of Doors | 2 |
| Depth with Door Open 90° | 55 1/4" |
| Clear Door Opening (in) | 22 5/8" x 21 5/8" |
| Depth, Cutting Board | 17" |
| Shelf Area (sq. in) | Upper 439 11/32" Lower 386 1/8 " |
| INTERNAL DIMENSIONAL DATA | |
| NET Capacity (cubic ft.) | 16.02 |
| Internal Width Overall (in) | 56" |
| Internal Depth Overall (in) | 23 3/8" |
| Internal Depth Useable (in) | Upper 18 1/2" Lower 15 3/8" |
| Internal Height Overall (in) | 23" |
| Internal Height Useable (in) | 17 3/4" |
| Number of Shelves | 4 |
| Number of Pans | (12) 1/6 |
| ELECTRICAL DATA | |
| Full Load Amperes 115/60/1 | 5.4 |
| REFRIGERATION DATA | |
| Horsepower | 1/3 |
| Capacity (BTU/Hr)* | 1549 |
| WEIGHT DATA | |
| Gross Weight (Crated lbs) | 342 lbs |
| Height - Crated | 48" |
| Width - Crated | 62" |
| Depth - Crated | 38" |

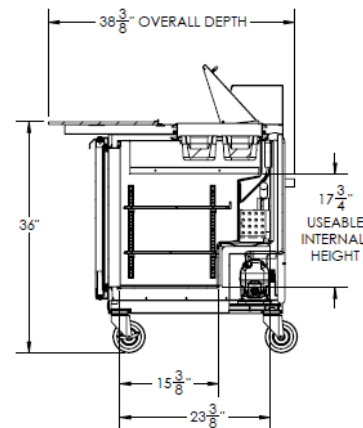
Model Views



Plan View



Elevation View



Side View

ELECTRICAL CONNECTION



115/60/1
NEMA-5-15P

Units pre-wired at factory and include 8' long cord and plug set.



an Ali Group Company



The Spirit of Excellence

3779 Champion Blvd., Winston-Salem, NC 27105
1-888-845-9800 Fax: 1-336-245-6453
Beverage-Air.com sales@bevair.com