



BEVERAGE-AIR

Project: _____

AIA#

Item: _____

Location: _____

SIS#

Approved: _____

SPE ELITE SERIES FOOD PREPARATION TABLES

SPE72HC Dual Sided Mega Top Sandwich Prep Hydrocarbon Series

**MODELS:
SPE72HC-30M-DS**



SPE72HC-30M-DS

**3 Year Parts/Labor Warranty
Additional 2 Year Compressor Warranty**

CABINET CONSTRUCTION

- Stainless steel exterior with galvanized bottom
- Interior liner is made of corrosion resistant aluminum
- Dual sided prep table
- Removable hoods and insulated lid assemblies are made of matching stainless steel
- Full electronic control
- Self-closing doors with 120° Stay-open feature, on cartridge style hinges
- Field-reversible doors with snap-in door gaskets
- Painted aluminum door handles
- 6" Casters, with (2) brakes standard
- One (1)10" and one (1) 12" wide cutting boards constructed of white polyethylene plastic
- Cutting boards removable for cleaning
- Two (2) epoxy-coated steel wire shelves per section standard
- Pans furnished are 4" deep pans constructed of polycarbonate plastic

OPTIONS & ACCESSORIES

- Stainless steel back
- Stainless steel interior
- Right or left hinged
- Locks (doors only)
- Overshelves (single or double)
- Drawers models
- Crumb catcher
- 6" legs or 3" casters available
- Low profile casters
- Richlite & composite cutting board
- Night cover
- Shelf dividers
- Pan Supports
- Digital / stem dial thermometer
- Remote option

REFRIGERATION SYSTEM

- Refrigeration system uses R290 refrigerant to comply with all environmental concerns
- Automatic, non-electric defrost
- Epoxy coated evaporator coil

SPE72HC Elite Series Sandwich Prep: Mega Top Series



3779 Champion Blvd., Winston-Salem, NC 27105
1-888-845-9800 Fax: 1-336-245-6453
Beverage-Air.com sales@bevair.com

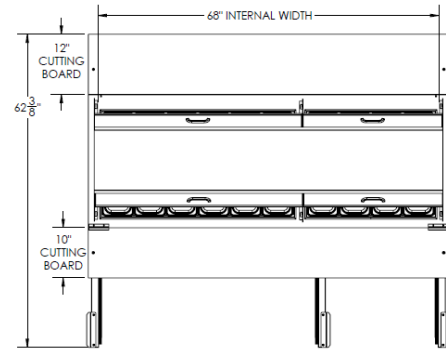


BEVERAGE-AIR

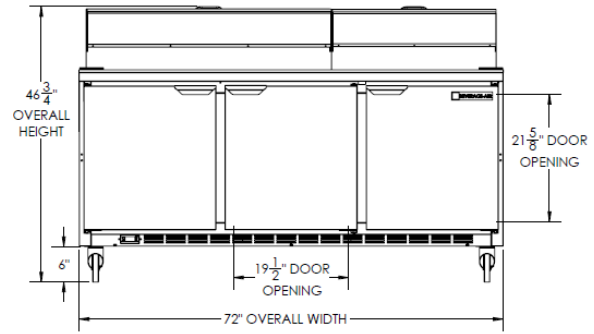
Food Preparation Table - Mega Top Dual Side Prep Table Models: SPE72HC-30M-DS

MODEL	SPE72HC-30M-DS
EXTERNAL DIMENSIONAL DATA	
Width Overall	72"
Depth Overall with Cutting Board & Bumper	38 3/8"
Height Overall with 6" Casters & Lid Open	46 3/4"
Number of Doors	3
Depth with Door Open 90°	62 3/8"
Solid Door Opening (in)	19 1/2" x 21 5/8"
Depth, Cutting Board	10"
Depth, Cutting Board	12"
INTERNAL DIMENSIONAL DATA	
NET Capacity (cubic ft.)	20.02
Internal Width Overall (in)	68"
Internal Depth Overall (in)	23 3/8"
Internal Depth Useable (in)	Upper 18 1/2" Lower 15 3/8"
Internal Height Overall (in)	23"
Internal Height Useable (in)	17 3/4"
Number of Shelves	6
Number of Pans	(30) 1/6
ELECTRICAL DATA	
Full Load Amperes 115/60/1	5.4
REFRIGERATION DATA	
Horsepower	1/3
Capacity (BTU/Hr)*	1549
WEIGHT DATA	
Gross Weight (Crated lbs)	504 lbs
Height - Crated	48"
Width - Crated	74"
Depth - Crated	38"

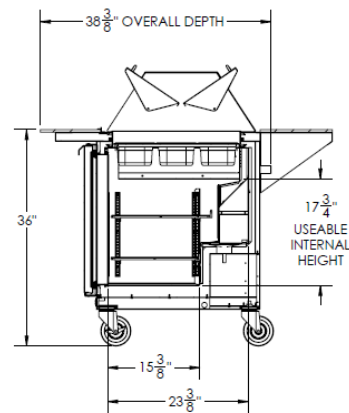
Model Views



Plan View



Elevation View



Side View

ELECTRICAL CONNECTION

Units pre-wired at factory and include 8' long cord and plug set.



115/60/1
NEMA-5-15P



an Ali Group Company



The Spirit of Excellence

3779 Champion Blvd., Winston-Salem, NC 27105
1-888-845-9800 Fax: 1-336-245-6453
Beverage-Air.com sales@bevair.com