



BEVERAGE-AIR

Project: _____

AIA#

Item: _____

Location: _____

SIS#

Approved: _____

UCF UNDERCOUNTER FREEZER

UCF27HC Shallow Solid Door

Hydrocarbon Series

**MODELS:
UCF27HC**

UCF27HC Undercounter Freezer: Food Prep Series

**3 Year Parts/Labor Warranty
Additional 2 Year Compressor Warranty**

CABINET CONSTRUCTION

- Stainless steel front, sides, top, door, (*galvanized steel back & bottom*)
- Interior liner is made of corrosion resistant aluminum
- Full electronic control
- Undercounter feature a 1/2" thick sub-top
- Interior thermometer is standard
- Self-closing door with 120° stay-open feature, on cam-lift hinges
- Easy door removal for service and cleaning
- Magnetic gasket attached to each door for positive seal
- Painted aluminum door handle
- 6" Casters, two (2) with brakes standard
- Two epoxy-coated steel wire shelves standard
- Field reversible door
- Freezer temperatures is held at 0°F or below



UCF27HC

OPTIONS & ACCESSORIES

- Stainless steel back and grille
- Stainless steel interior
- Right or left hinged door
- Locks (solid doors only)
- Wire shelf divider
- 3" Casters or 6" legs
- Low profile casters
- Remote option

REFRIGERATION SYSTEM

- Refrigeration system uses R290 refrigerant to comply with all environmental concerns
- Automatic, non-electric evaporator
- System is serviceable from rear
- Epoxy coated evaporator coil



3779 Champion Blvd., Winston-Salem, NC 27105
1-888-845-9800 Fax: 1-336-245-6453
Beverage-Air.com sales@bevair.com



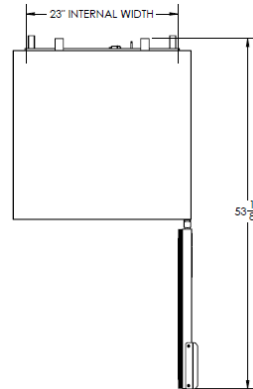
BEVERAGE-AIR

| MODEL | UCF27HC |
|------------------------------------|----------------------------|
| EXTERNAL DIMENSIONAL DATA | |
| Width Overall | 27" |
| Depth Overall | 29 7/8" |
| Height Overall WITH 6" casters | 34 5/8" |
| Number of Doors | 1 |
| Depth with Door Open 90° | 53 1/8" |
| Door Opening (in) | 22 5/8" X 21 5/8" |
| INTERNAL DIMENSIONAL DATA | |
| NET Capacity (cubic ft.) | 5.25 |
| Internal Width Overall (in) | 23" |
| Internal Depth Overall (in) | 21 1/4" |
| Internal Depth Useable (in) | Upper 16" Lower 13 1/8" |
| Internal Front Height Overall (in) | 23" |
| Internal Back Height Useable (in) | 16" |
| Number of Shelves | 2 |
| ELECTRICAL DATA | |
| Full Load Amperes 115/60/1 | 2.5 |
| REFRIGERATION DATA | |
| Horsepower | 1/4 |
| Capacity (BTU/Hr)* | 857 |
| WEIGHT DATA | |
| Gross Weight (Crated lbs) | 180 lbs |
| Height - Crated | 34" |
| Width - Crated | 32" |
| Depth - Crated | 29 1/2" |

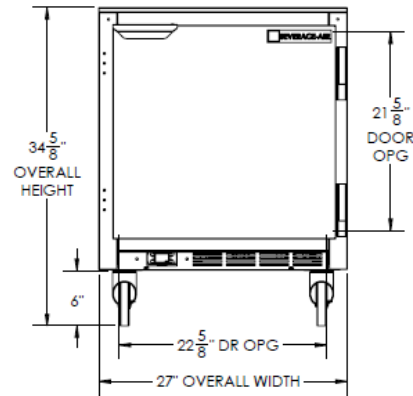
Undercounter Shallow Freezer

Models: UCF27HC

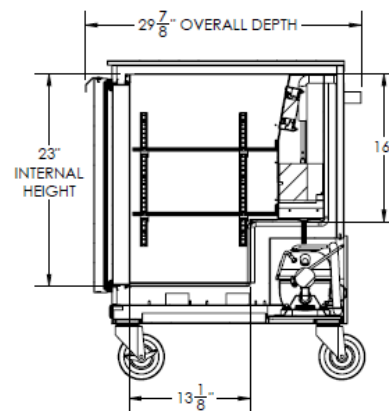
Model Views



Plan View



Elevation View



Side View

ELECTRICAL CONNECTION



115/60/1
NEMA-5-15P

Units pre-wired at factory and include 8' long cord and plug set.



an Ali Group Company



The Spirit of Excellence

3779 Champion Blvd., Winston-Salem, NC 27105
1-888-845-9800 Fax: 1-336-245-6453
Beverage-Air.com sales@bevair.com