

ProTeam FreeFlex®

107499 FreeFlex Hybrid Cordless/Corded

\$1,499

107503 FreeFlex Corded

\$599

ProTeam introduces the new standard of upright innovation, the FreeFlex battery-powered hybrid upright vacuum. A state-of-the-art Lithium Ion battery provides approximately 72-minute runtime with the option to plug into an outlet for ongoing cleaning.

Cordless cleaning improves safety and eliminates time-consuming cord management tasks for a focused clean. You will be surprised how far you can go with this latest technology by ProTeam.



Hybrid

Corded



HYBRID POWER OPTIONS



SAFETY



LONG RUNTIME

*The filtration value of ProTeam's ProLevel Filtration System in this vacuum is achieved by the use of a multi-stage filtration system, including foam filter bag housing and four-layer synthetic filter made from HEPA media, as tested per ASTM F3150.

RELATED PRODUCTS

107502 Intercept Micro Filters, 10/pk	\$27.04
107500 Replacement Battery	\$899
107501 Battery Charger	289
843108 Clog Removal Tool	9.99

107499 FreeFlex Cordless includes battery, charger and cord. All units come equipped with one clog removal tool.

Specifications

	Cordless	Corded
Weight:	17.6 lbs./7.98 kg	13.9 lbs./6.3 kg
Handle Weight:	1.8 lbs./0.82 kg	1.4 lbs./0.64 kg
Vacuum Airflow:	53 CFM	68 CFM
Static Lift:	14 in.	25 in.
Motor:	220 W/92 VDC/2.4 A	400 W/120 VAC/ 2.4 A (low), 3.4 A (high)
Decibel:	75 dBA	75 dBA (low) 82 dBA (high)
Capacity:	3.25 qt/3 L	3.25 qt/3 L
Cord Length:	40'	40'
Battery Type:	Lithium Ion	–
Approximate Runtime:	72 mins.	–
Approximate Charge Time:	93 mins.	–
Charge Cycles:	up to 850	–
ProLevel Filtration®:	295 sq. in. total area	295 sq. in. total area

*ProLevel Filtration System with HEPA Media

captures 99.70% at 0.3-.5 microns per ASTM F3150

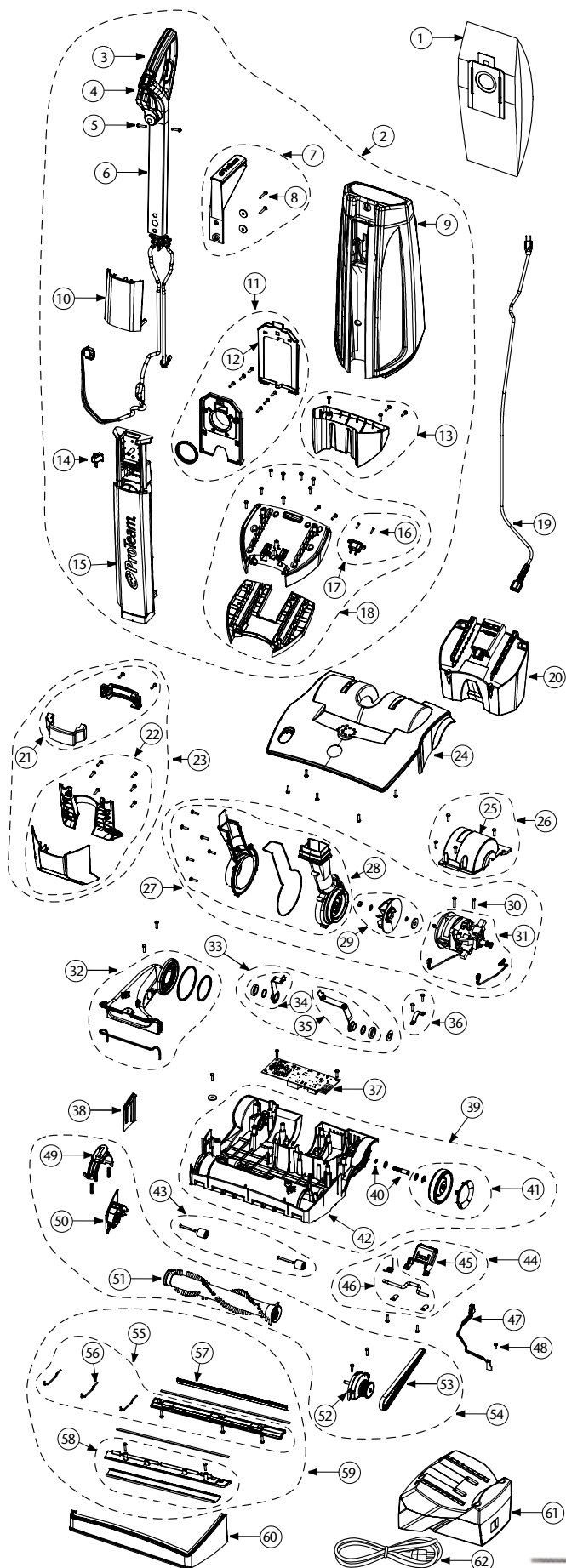
Warranty

2 years motor, battery and charger

3 years parts, labor and molded body parts (except wear items)

Specification calculations are based on average vacuum system performance.

FREEFLEX PARTS



No.	Product Name	Qty	List Price
1	107502 Four-Layer Synthetic Filter, Fits FreeFlex	10/pk	\$ 27.04
2	510657 Upper Service Assembly (includes: #3-18)	1 set	229.07
3	841322 Handle Assembly	1 ea.	34.26
4	840495 On-Off-On Switch	1 ea.	2.49
5	835348 Screw, Machine M5	1 set	2.89
6	510425 Aluminum Tube Handle	1 ea.	8.67
7	510427 Carry Handle Assembly (includes: #8)	1 set	9.23
8	835345-1 Screw M4 Pan HD	1 set	2.71
9	840386 Foam Filter Bag Housing	1 ea.	94.04
10	840414 Aluminum Handle Mount Bracket	1 ea.	6.34
11	510433 Filter Mount Brackets Assembly (includes: #12)	1 set	12.03
12	840509 Filter Mount Pivot Bracket	1 set	5.54
13	510434 Bottom Filter Plate Assembly	1 set	8.32
14	510654 Bag Switch Detect	1 ea.	6.39
15	840499 Debris Tube	1 ea.	17.38
16	840506 Screw M3 CS Pan HD	1 set	5.78
17	510430 IEC Connector Plug Assembly (includes: #16)	1 set	11.09
18	510429 Battery Mount Plates Assembly (includes: 16, 17)	1 set	26.19
19	840377 Power Cord	1 ea.	25.58
20	107500 FreeFlex Cordless Upright Replacement Battery	1 ea.	899.00
21	510428 Debris Tube Brackets Assembly	1 set	8.06
22	510431 Debris Tube Clamp Assembly	1 set	11.11
23	510655 Debris Tube Brackets (includes: 21, 22)	1 set	16.29
24	510437 Base Cover Assembly	1 ea.	28.47
25	510661 Motor Cover	1 ea.	27.77
26	510420 Motor Cover Assembly (includes: 25)	1 set	7.97
27	510664 Blower Motor (includes: 38-31)	1 set	96.82
28	510435 Blower Housing Assembly	1 set	15.93
29	510416 Blower Wheel Assembly	1 set	9.45
30	835345-1 Screw M4 Pan HD	1 set	2.71
31	510415 Motor Assembly	1 set	70.76
32	510658 Inlet Nozzle	1 set	13.67
33	510656 Pivot Bracket (includes: 34, 35)	1 set	26.92
34	510418 Right Pivot Bracket Assembly	1 set	14.01
35	510417 Left Pivot Bracket Assembly	1 set	13.86
36	510421 Pivot Bracket Clamp Assembly	1 set	3.98
37	840490 Main Control Board	1 ea.	81.83
38	840070 Side Base Upright Bumper	1 ea.	7.75
39	510662 Base with Rear Wheels (includes: 40-42)	1 set	46.67
40	510414 Rear Wheel Shaft Assembly	1 set	2.74
41	841324 Rear Wheel Assembly	1 set	6.12
42	840369 Power Nozzle Base	1 ea.	33.02
43	834363 Wheel/Axle Replacement Kit	1 set	7.61
44	510659 Foot Pedal Assembly (includes: 45, 46)	1 set	8.52
45	840475 Foot Pedal	1 ea.	6.90
46	510422 Foot Pedal Shaft Assembly	1 set	6.00
47	843009 Control Board Hall Effect Sensor	1 ea.	19.14
48	835937 Screw M3 Pan HD	1 ea.	2.43
49	510424 Brush Release Button Assembly	1 set	4.12
50	841325 Brush Removal Cover Assembly	1 ea.	7.88
51	840167 Brush Roller Assembly	1 ea.	15.47
52	841814 Clutch Assembly	1 ea.	14.83
53	841744 Belt 168XL037	1 ea.	9.04
54	510663 Drive Brush (includes: 49-53)	1 set	44.82
55	510423 Rear Base Plate Assembly (includes: 56)	1 set	4.79
56	840194 Base Wire Brace	1 set	4.13
57	840191 Squeegee Blade	1 ea.	2.35
58	841323 Front Plate Assembly	1 set	10.78
59	510660 Front Rear Plates (includes: 55-58)	1 set	18.52
60	840069 Front Base Upright Bumper	1 ea.	11.12
61	107501 FreeFlex Cordless Upright Replacement Charger	1 ea.	289.00
62	834678 Charger Cord	1 ea.	27.40
63	843108 Clog Removal Tool	1 ea.	9.99
	510432 Screw / Washer Assortment (22 piece set)	1 set	5.37
	510436 Gasket Assortment (5 piece set)	1 set	4.97