

## LineVacer® HEPA/ULPA

100277\* LineVacer HEPA w/  
High Filtration Vacuum Tool Kit (100163)

**\$749**

The ProTeam LineVacer HEPA/ULPA backpack vacuum is equipped with a unique Four Level® filtration system which utilizes a certified HEPA or ULPA filter as the last filtration stage. The certified HEPA filter is 99.97% efficient at filtering particulates down to 0.3 microns in size and is designed so that all particulate drawn into the vacuum is expelled through the HEPA filter with no air leaking past it. The LineVacer is ideal for applications when clean air in a controlled environment is critical such as cleaning medical facilities, clean rooms and computer labs. This vacuum meets the EPA's definition of a HEPA Vacuum under the Lead Safety Renovation, Repair and Painting Rule (EPA RRP Rule).



**ERGONOMIC**



**PRODUCTIVE**



**HEPA/ULPA**



**INDOOR AIR QUALITY**



**CLEANING FOR HEALTH**

### Specifications

Weight:	13 lbs./5.9 kg
Airflow:	124 CFM
Static Lift:	75 in.
Motor:	744 W/6.2 A
Decibel:	64 dBA
Capacity:	10 qt/11 L
Four Level Filtration w/ HEPA:	2283 sq. in. total area
Four Level Filtration w/ ULPA:	3232 sq. in. total area

### True HEPA / ULPA Filtration

HEPA:	99.97% at 0.3 microns
ULPA:	99.999+% at 0.12 microns

### Warranty

3 years parts, labor & motor on vacuum  
Limited lifetime on molded body parts

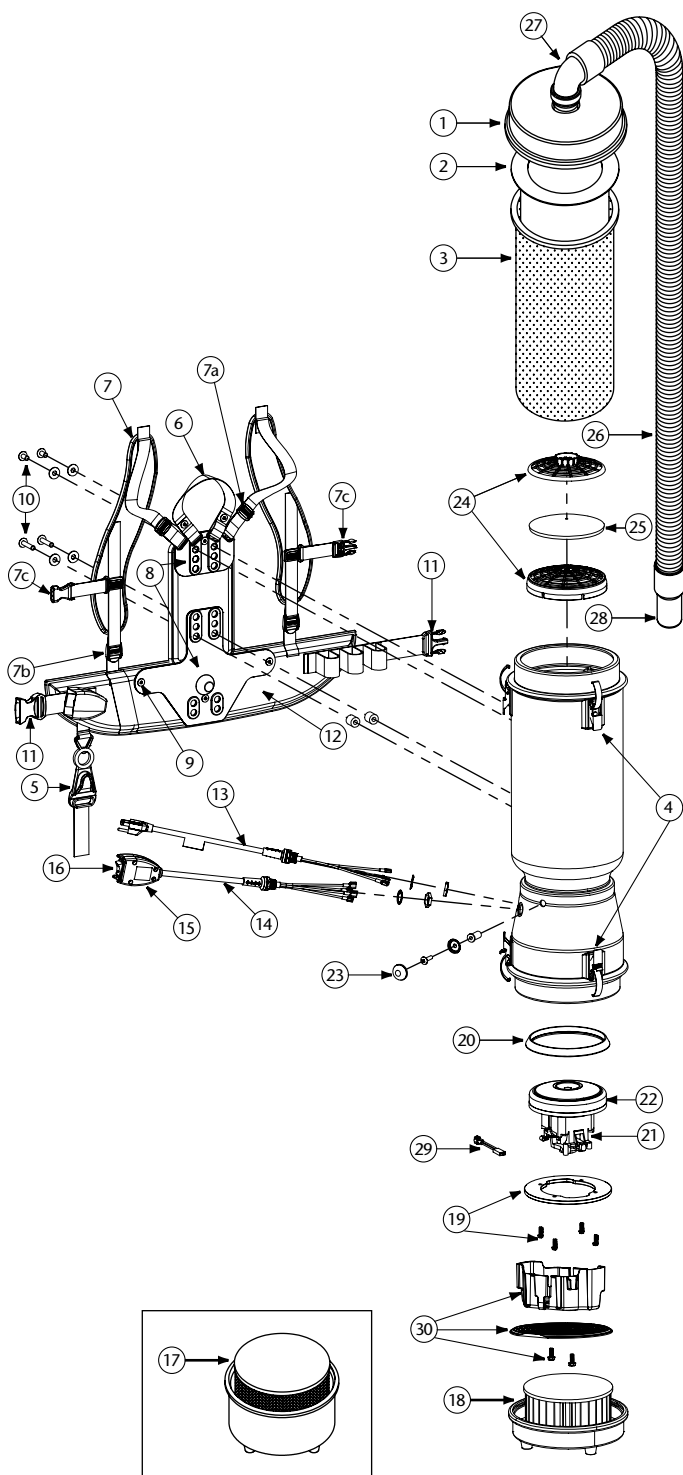
#### \*STANDARD CONFIGURATION

Two-Piece Aluminum Wand w/Button Lock  
5" Upholstery Tool  
3" Dust Brush  
14" Carpet Tool w/Scallops  
36" One-Bend Bulk Pick-Up Tool

#### OPTIONAL CONFIGURATIONS

<b>100280</b>	ULPA w/ High Filtration Vacuum Tool Kit (100163)	\$919
<b>107141</b>	HEPA w/ Xover® Performance Telescoping Wand Tool Kit C (107099)	749
<b>107142</b>	HEPA w/ Xover Telescoping Wand Tool Kit D (107100)	749
<b>107161</b>	HEPA w/ Turbo Brush Tool Kit (107162)	809
<b>107471</b>	HEPA w/ Remediation Tool Kit (107466)	799

# LINEVACER PARTS



No.	Product Name	Qty	List Price
1	104276 Latch Cap w/Cuff (Black)	1 ea.	\$ 38.69
2	100291 Intercept Micro Filter	10/pk	31.10
3	100565 Micro Cloth Filter	1 ea.	29.60
4	100286 Top or Bottom Cap Latch Set: 3 Latches, 3 Locks w/6 Fastening Rivets, 6 Washers	1 set	28.35
5	102604 Cord Holder	1 ea.	8.77
6	101737 Carry Handle w/Rivet and Washer Set	1 set	8.54
7	100356 Shoulder Strap Assembly (includes: #7a, 7b, 7c)	1 set	17.05
7a	100358 Shoulder Strap Plastic Adjustment (Top)	1 ea.	.99
7b	100357 Shoulder Strap Plastic Adjustment (Bottom)	1 ea.	.99
7c	103627 Sternum Strap Buckles (Latch and Keeper)	1 set	2.10
8	105046 Backplate (includes: #9)	1 ea.	26.24
9	100375 Barrel Nut Connection Set for Backplate (Replacement)	1 set	5.90
10	100374 Backplate Connection Set: 4 Screws w/Washers, Stand Offs	1 set	13.11
11	106719 Waist Belt Keeper and Latch	1 ea.	11.89
12	100359 Waist Belt (includes: #11)	1 ea.	39.34
	100354 Strap Assembly Complete (includes: #7, 12)	1 set	52.47
	103166 Backplate System Complete (includes: #5, 6, 7, 8, 10, 12)	1 set	65.58
13	100641 Power Cord Assembly Complete	1 set	19.03
14	101610 Switch Cord Assembly 120V (includes: #14, 15, 16)	1 set	36.73
	101714 Switch Cord w/Crimps	1 ea.	16.28
	101716 Switch Cord Assembly Complete 120V	1 set	39.34
15	101472 Switch Box w/Velcro and New Lamb Switch	1 set	23.60
	106287 Switch Box w/Velcro and Screws	1 ea.	17.61
16	106066 On/Off Switch (must use with #106287)	1 ea.	7.14
17	104275 ULPA Filter Assembly Complete w/Bottom Cap (100280, 100282)	1 set	314.48
18	104274PT HEPA Filter Assembly Complete w/Bottom Cap (100277, 100279)	1 set	242.64
19	100335 Motor Compression Ring w/Screws	1 set	11.15
	100378 Compression Ring Screw Set: 4 Screws	1 set	2.95
20	100014 Tetraseal	1 ea.	11.81
	100297 Gasket Ring (Not Shown)	1 ea.	3.62
21	105697 Carbon Brush Set (Domel Motor)	1 set	20.98
	100424 Carbon Brush Set (Ametek Motor) (116311-00)	1 set	20.98
	106904 Carbon Brush Set (Ametek Motor) (122157-00)	1 set	20.98
22	100422 Motor/Fan (120 V) w/Crimps (Ametek Motor)	1 ea.	88.67
	100380 Motor Crimp Set: 4 female, 4 Male and a Ground Crimp Connector	1 set	10.49
	100379 Motor Ground, Wire Clamp Set w/Screws	1 set	5.90
23	100368 Motor Mounting System Set: 3 Well Nuts, 3 Bolts, 3 Washers, 3 Covers	1 set	13.11
24	100030 Dome Filter w/Foam Media	1 ea.	7.88
25	100343 Foam Filter Media for Dome Filter	1 ea.	1.32
26	103048 Static-Dissipating Hose w/Cuffs (Black)	1 ea.	24.93
27	101928 Replacement Double Swivel Elbow Cuff (Black)	1 ea.	9.06
28	100694 Replacement Swivel Cuff (Black) 1½"	1 ea.	5.39
29	107294 Thermal Protector	1 ea.	14.39
30	105044 Motor Shroud/Diffuser w/Screw Set: 2 Screws	1 set	22.48
	101678 50' Extension Cord (Not Shown)	1 ea.	32.60