

## ProTeam ProGen® 12/15

107329 ProGen 12 **\$499**

107330 ProGen 15 **\$549**

The ProGen 12/15 has the added performance and features to make it an instant hit with cleaning professionals. Choose 12" or 15" width for productivity in a variety of applications. The increased maneuverability, animated dashboard display and patented Snap Lock Lid make this an upright like no other.

Ergonomic lightweight handle provides comfortable operation while the quick change cord feature and the user's ability to reach clogs in four easy access points provide quick and easy maintenance.



**EASY TO USE**



**LAYS FLAT**



**HANDLE WEIGHT**

*\*The filtration value of ProTeam's ProLevel Filtration System in this vacuum is achieved by the use of a multi-stage filtration system, including intercept micro filter, foam filter, and post-motor filter made from HEPA media, as tested per ASTM F3150.*

### RELATED PRODUCTS

107377 Intercept Micro Filters, 10/pk \$15.99

### Specifications

**Weight:**

ProGen 12 17 lbs./7.71 kg

ProGen 15 18 lbs./8.17 kg

**Handle Weight:**

2.7 lbs./1.22 kg

**Motor Airflow:**

100 CFM

**Static Lift:**

93 in.

**Motor:**

1100 W/9.8 A

**Decibel:**

69 dBA

**Capacity:**

3.25 qt/3 L

**ProLevel Filtration® w/Three Levels of Filtration:** 236 sq. in. total area

**Cord length:**

ProGen 12: 40'

ProGen 15: 50'

### \*ProLevel Filtration System with HEPA Media

**ProGen 12:** captures 97.44% at 0.3-.5 microns per ASTM F3150

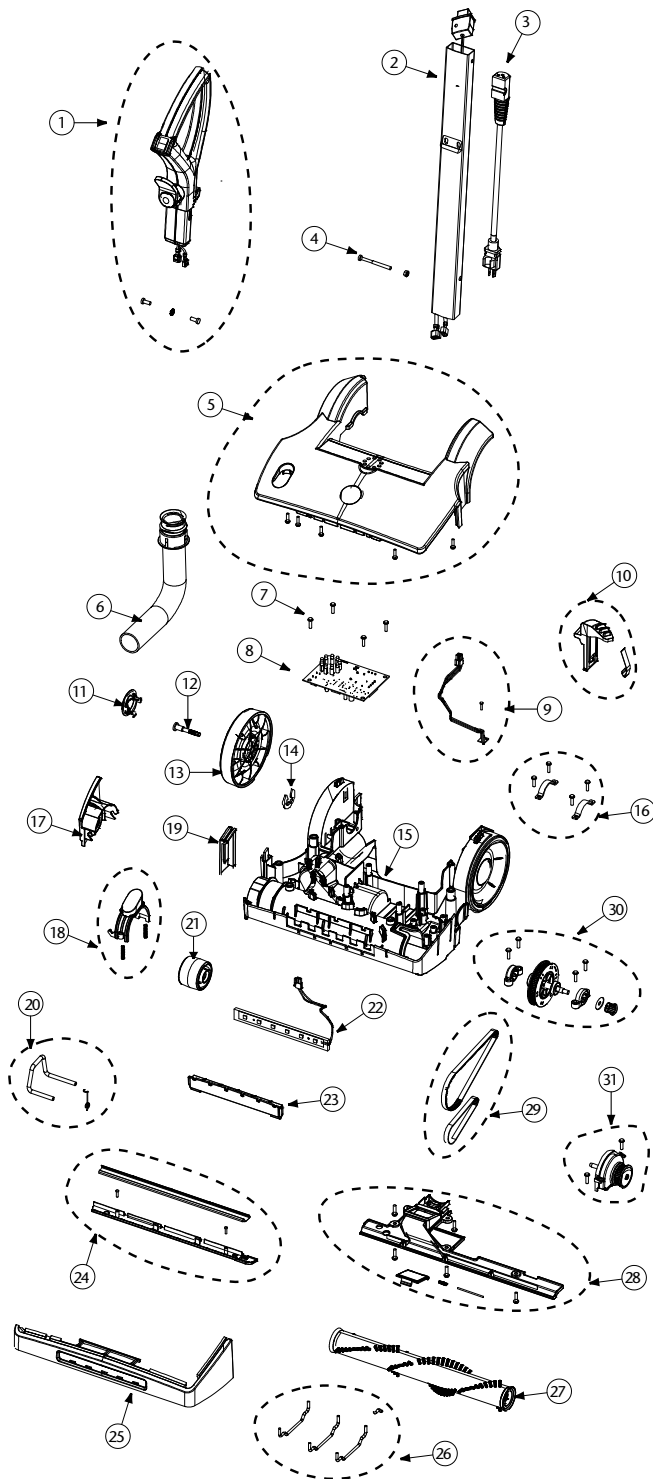
**ProGen 15:** captures 98.36% at 0.3-.5 microns per ASTM F3150

### Warranty

3 years parts, labor, motor and molded body parts (except for wear items)

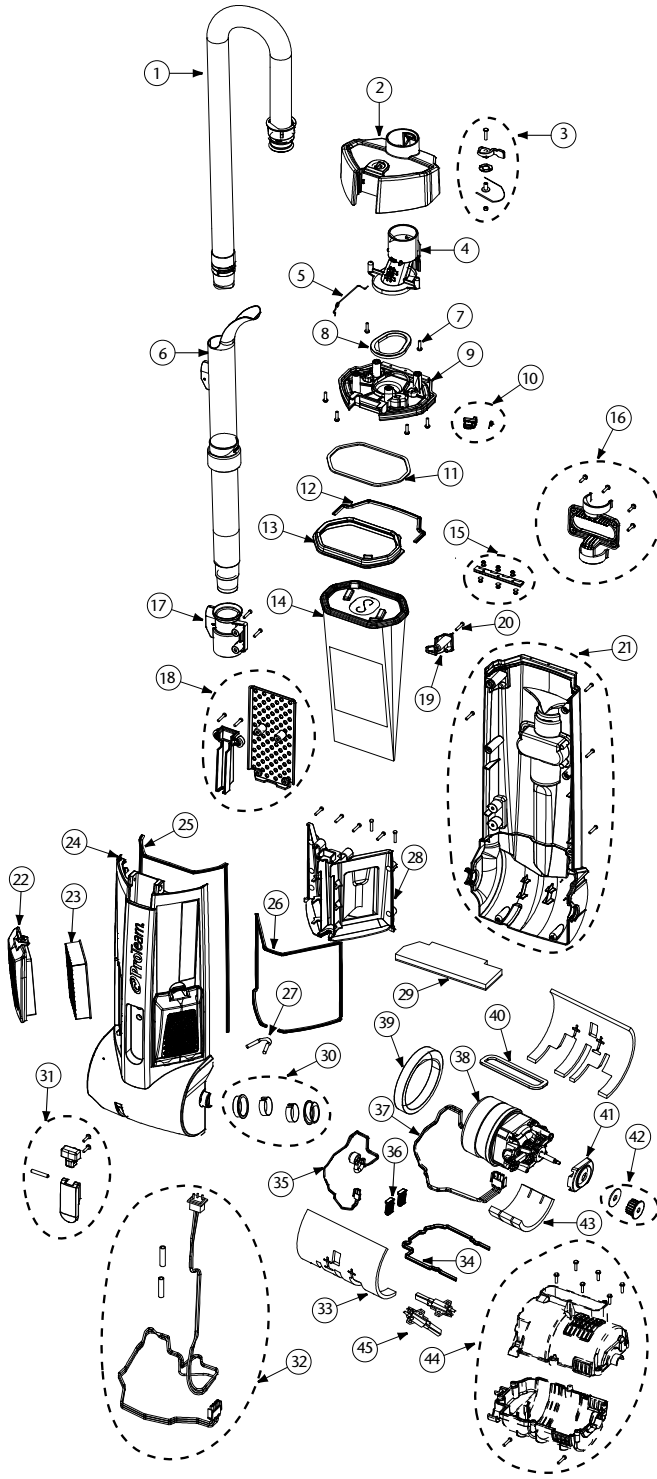
*Specification calculations are based on average motor performance.*

# PROGEN 12/15 PARTS



No.	Product Name	Qty	List Price
1	842344 Handle Assembly	1 set	\$18.83
2	842345 Handle Tube Assembly	1 ea.	21.01
3	834740-1 Power Cord w/ Strain Relief 50' 15"	1 ea.	45.33
	834740 Power Cord w/ Strain Relief 40' 12"	1 ea.	37.10
4	835701 Handle Screw Nut Assembly	1 ea.	1.31
5	835686 Base Cover 15" Assembly	1 set	23.96
	835707 Base Cover 12" Assembly	1 set	22.68
6	510252 Hose Power Head Assembly	1 ea.	4.03
7	835345 Washer Pan Screw M4	1 ea.	2.12
8	834797 Main Control Board	1 ea.	68.90
9	835683 Control Board Hall Effect Assembly	1 set	6.40
10	835676 Foot Pedal 15" Assembly	1 set	2.84
	835702 Foot Pedal 12" Assembly	1 set	2.63
11	834788 Cap Button	1 ea.	1.74
12	834789 Rear Wheel Shaft 15"	1 ea.	2.16
13	834787 Rear Wheel 15"	1 ea.	10.39
	836630 Rear Wheel 12"	1 ea.	5.83
14	834790 Retaining Ring	1 ea.	1.14
15	834804 Power Nozzle Base 15" (includes: #10)	1 ea.	38.29
	836627 Base Assembly 12" (includes: #10)	1 ea.	29.21
16	835684 Filter Housing Clamp Assembly	1 set	1.82
17	835350 Brush Removal Cover 15" Assembly	1 ea.	3.94
	835352 Brush Removal Cover 12" Assembly	1 ea.	3.86
18	835682 Brush Release Button 15" Assembly	1 set	2.16
	835705 Brush Release Button 12" Assembly	1 set	2.08
19	834810 Side Base Bumper 15"	1 ea.	2.12
	835036 Side Base Bumper 12"	1 ea.	2.20
20	835675 Center Wheel Pivot Rod Assembly	1 set	2.29
21	834791 Center Wheel	1 ea.	2.97
22	835349 LED Strip Light Harness Assembly	1 ea.	11.02
23	834816 LED Strip Light Lens	1 ea.	1.91
24	835680 Front Base Plate 15" Assembly	1 set	5.89
	835703 Front Base Plate 12" Assembly	1 set	5.30
25	834809 Front Base Bumper 15"	1 ea.	6.53
	835035 Front Base Bumper 12"	1 ea.	5.09
26	835679 Base Wire Brace	1 set	2.54
27	841818 Brush Roller 15"	1 ea.	14.42
	841817 Brush Roller 12"	1 ea.	13.78
28	835681 Rear Base Plate 15" Assembly	1 set	3.35
	835704 Rear Base Plate 12" Assembly	1 set	3.14
29	835678 Timing Belt Assembly	1 set	18.87
30	835685 15" Pulley Assembly	1 set	11.66
	835706 12" Pulley Assembly	1 set	9.54
31	835677 Brush Roller Clutch Assembly	1 set	28.66

# PROGEN 12/15 PARTS



No.	Product Name	Qty	List Price
1	510259 Hose Assembly	1 ea.	\$13.78
2	835354 Filter Cover Assembly	1 ea.	5.51
3	835696 Filter Lid Cam Lock Assembly	1 set	7.17
4	834688 Transition Duct Assembly Upright	1 ea.	3.60
5	834753 Filter Housing Spring Hose	1 ea.	1.36
6	510258 Extension Tube Assembly	1 ea.	6.15
7	835345 Washer Pan Screw M4	1 ea.	2.12
8	834691 Transition Duct Gasket	1 ea.	1.70
9	834687 Bag Cover Housing Plate	1 ea.	4.37
10	835697 Bag Cover Housing Interlock Assembly	1 ea.	1.40
11	834690 Bag Cover Gasket Plate	1 ea.	1.99
12	834730-3 Lid Rear Tree Gasket	1 ea.	1.27
13	834823 Bag Housing Rim	1 ea.	2.08
14	107377 Intercept Micro Filter, 10 pack	10/pk	15.99
15	835698 Hinge with Rivet Assembly	1 ea.	5.17
16	835694 Carry Handle w/ Tool Caddy Assembly	1 set	2.50
17	835351 Power Nozzle Adaptor Hose	1 ea.	3.14
18	835690 Filter Housing Harness Enclosure Assembly	1 set	2.93
19	834724 Extension Handle Clip	1 ea.	1.48
20	835358 Pan Screw M4 20mm	1 ea.	2.97
21	835693 Rear Bag Housing Assembly	1 set	18.02
22	834717 Exhaust Filter Cover	1 ea.	5.38
23	107005 Exhaust Filter made from HEPA Media	1 ea.	6.13
24	835687 Front Bag Housing 15"	1 ea.	17.34
	835708 Front Bag Housing 12"	1 ea.	17.34
25	834730 Bag Housing Tree Gasket	1 ea.	1.99
26	834730-1 Filter Housing Tree Gasket	1 ea.	1.61
27	835150 Filter Housing Gasket Separator	1 ea.	1.14
28	834718 Filter Housing Separator	1 ea.	7.08
29	834721 Motor Intake Filter	1 ea.	1.57
30	835695 Bag Housing Pivot Sleeve Assembly	1 set	2.46
31	835688 Lower Cord Wrap Bracket Assembly	1 set	2.42
32	835689 Filter Housing Harness Assembly	1 set	8.65
33	834722 Foam Filter Housing	1 ea.	2.76
34	834730-2 Motor Housing Tree Gasket	1 ea.	1.36
35	834723 Bag Full Indicator Sensor	1 ea.	8.48
36	840042 Motor Support Gasket	1 ea.	1.70
37	835344 Motor Harness	1 ea.	5.30
38	834705 Motor Assembly (Includes # 45)	1 ea.	89.29
39	834696 Blower Gasket Housing	1 ea.	2.97
40	834697 Inlet Motor Gasket	1 ea.	1.70
41	834701 Motor Mount Gasket	1 ea.	2.42
42	835692 Motor Pulley Assembly	1 set	2.04
43	834704 Foam Motor Housing	1 ea.	1.44
44	835691 Motor Housing Assembly	1 set	18.87
45	835714 Motor Brush	1 ea.	15.01