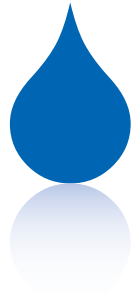


## ProTeam ProGuard® LI 3 Cordless

107495 ProGuard LI 3 Cordless **\$369**

The ProGuard LI 3 Cordless Vacuum combines powerful vacuum performance with the cord-free convenience of 18-volt Lithium Ion power for quick cleanup. The ProGuard LI's lightweight design and narrow profile makes this vacuum easy-to-carry and easy-to-store.



### Specifications

<b>Motor:</b>	18 Volt, permanent magnet DC
<b>Motor Airflow:</b>	60 CFM
<b>Static Lift:</b>	38"
<b>Tank Size:</b>	3 gallon/11.4 L
<b>Weight:</b>	10.5 lbs./4.8 kg
<b>Decibel:</b>	72 dBA
<b>Fine Dust Cartridge Filter:</b>	903 sq. in.
<b>Battery Type:</b>	Lithium Ion
<b>Approximate Runtime:</b>	14 minutes
<b>Approximate Charge Time:</b>	60 minutes

### Standard Configuration

2' to 7' Stretch Vacuum Hose
Crevice Tool
Dust Brush
Claw Nozzle
Battery and Charger

### Warranty

3 years on parts and labor
1 year on vacuum motor, battery and charger
Limited lifetime on molded body parts

### RELATED PRODUCTS

107496 Battery Assembly	\$132.45
107656 Charger	75.00

### RECOMMENDED ENVIRONMENTS

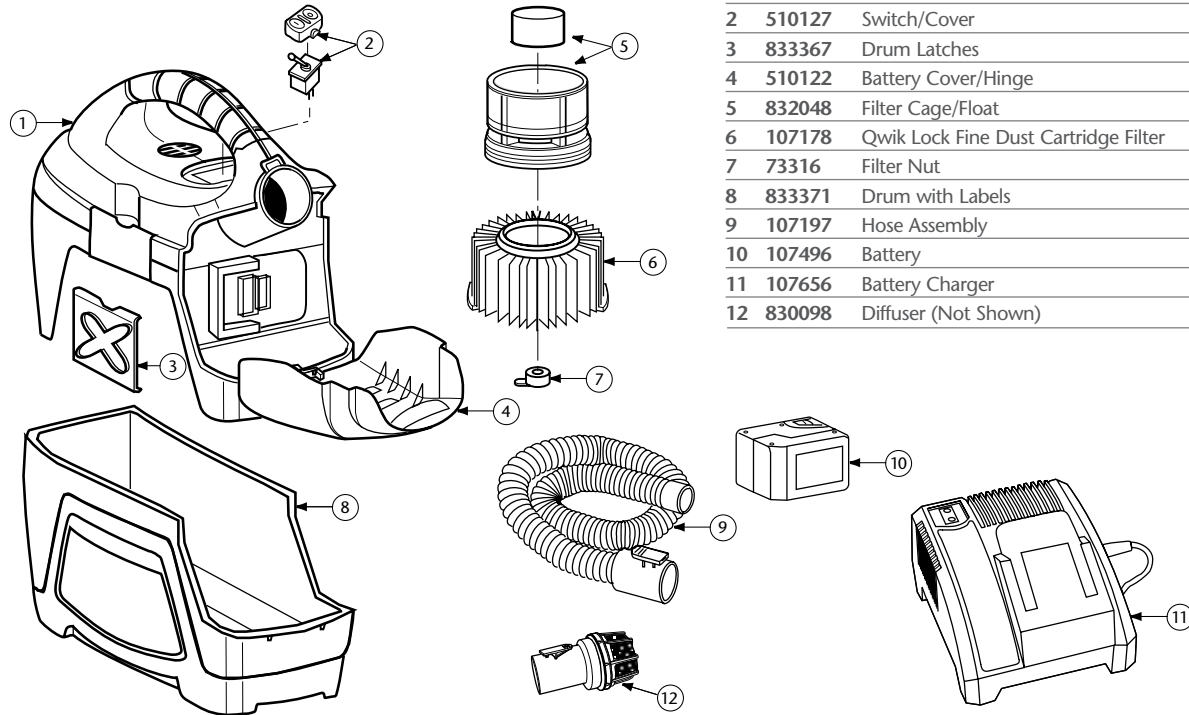
- Education
- Healthcare
- Hospitality
- Facility Service Providers

### RECOMMENDED APPLICATIONS

- Small Spills
- Flooding
- Jobsite Cleanup
- Day Porters
- Spot Cleaning

*Specification calculations are based on average motor performance.*

# PROGUARD LI 3 CORDLESS PARTS



No.	Product Name	Qty	List Price
1	510121 Power Head	1 ea.	\$106.07
2	510127 Switch/Cover	1 ea.	6.73
3	833367 Drum Latches	2/pk	3.98
4	510122 Battery Cover/Hinge	1 ea.	13.19
5	832048 Filter Cage/Float	1 ea.	1.95
6	107178 Qwik Lock Fine Dust Cartridge Filter	1 ea.	19.98
7	73316 Filter Nut	1 ea.	1.54
8	833371 Drum with Labels	1 ea.	52.63
9	107197 Hose Assembly	1 ea.	30.22
10	107496 Battery	1 ea.	132.45
11	107656 Battery Charger	1 ea.	75.00
12	830098 Diffuser (Not Shown)	1 ea.	5.29