



4184 E. Conant st., Long Beach, CA 90808
 Tel. 800-500-3519 Fax. 310-900-1066
www.turboairinc.com

Project :

Model # :

Item # :

Qty :

Available W/H :

Approval :

Microwave Oven - Heavy Duty

Model : TMW-1800HD



≡ FEATURES & BENEFITS ≡

- **Commercial styling & durability for fast heating and cooking**
- **14 touch control pads & easy-to-read VFD display**
- **Program up to 200 menu items for simple one-touch cooking**
- **Double quantity pad (X2) increases a pre-programmed heating time for multiple servings of foods**
- **60 min cooking timer & defrost function**
- **5 power levels & 3 stages heating option**
- **Variable beep tones (mute mode available)**
- **Start/20 sec.+ pad for speedy cooking and adding reheat time by 20 sec. increments**
- **Auto cool down after usage**
- **Auto display off (15sec/30sec/1min/2min)**
- **Clean and sturdy stainless steel exterior**
- **Heat resistant advanced ceramic tray inside**
- **Easy-to-clean interior**
- **Tempered glass door with interior light allows monitoring of food**
- **Easy grip and recessed door handle**
- **Clean air filter with convenient clean filter reminder (7/30/90 days)**
- **2 sets stackable to save the counter space**
- **Automatically saves the service information such as usage hours, door opening & closing times, etc.**
- **Ideal for quick service and family-style restaurants, fast casual dining**



Model	Net Weight (lbs.)	L x D x H (inches)
TMW-1800HD	69	18 1/4 x 23 1/2 x 14 1/2

Microwave Oven - Heavy Duty

Model : TMW-1800HD

DATA		
Cavity Volume		0.9 cu.ft.
Power Output		1,800W
Voltage		208~230/60/1
AMP		15
Plug-In		Ⓢ NEMA 6-20P
Dimensions (L x D x H) (inch)	Cavity	14 ⁵ / ₈ x 14 ⁵ / ₈ x 7 ⁷ / ₈
	Unit	18 ¹ / ₄ x 23 ¹ / ₂ x 14 ¹ / ₂
Net Weight (lbs.)		69
Gross Weight (lbs.)		75

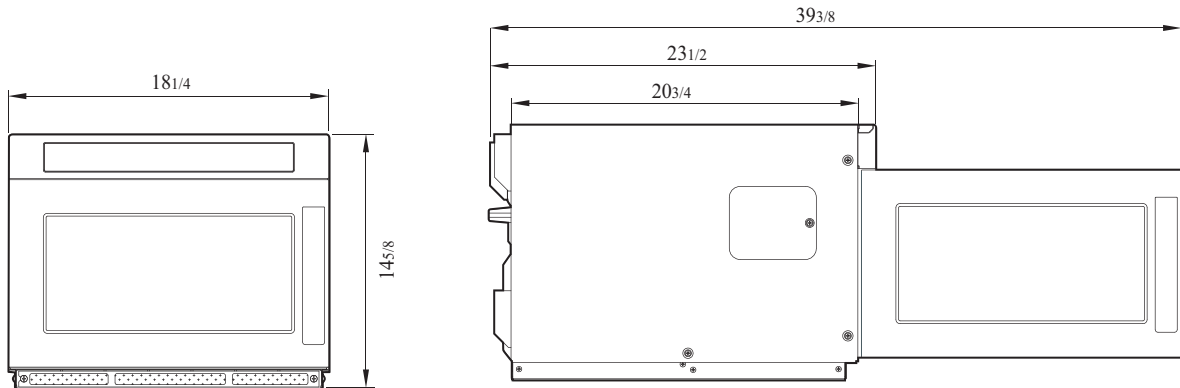
Design and specifications subject to change without notice.
Actual shipping weight may differ due to extra packing materials for product protection.

- **WARRANTY : 1 Year Parts and Labor Warranty**
Additional 2 Year Warranty on Parts

Ver.20210430

PLAN VIEW

(unit : inch)



FRONT VIEW

SIDE VIEW



- Turbo Air : 800-627-0032
- GK : 800-500-3519
- Warranty : 800-381-7770
- AC : 888-900-1002