



ADVENTYS

INDUCTION

CONCEPT

INDUCTION COOKERS FOR PROFESSIONALS

High energy efficiency (90%) and your cooking area stays cool too!

- Stainless steel casing
- Drop-in installation
- Stainless steel flush mount frame
- Easy to clean capacitive touch controls
- Superior airflow and cooling fans permit all day use
- Automatic pan detection / power supply monitor
- Controlled high temperature feature for stir fry and sauté for cooking models
- Precision low temperature control for sauces and chocolates
- Empty pan security/automatic overheating protection
- Small article protection/oil auto ignition shutoff



- Removable grease filter to clean air intake
- Convenient integrated control in top of glass standard
- Optional remote control panel available

LEO 1

**GL650 DI, GL1800 DI
GL3000 DI**

120 V
208/240 V



Optional remote control panel



- Drop-in buffet use
- Durable 4 mm vitroc ceramic glass
- 7½” coil for warming or cooking

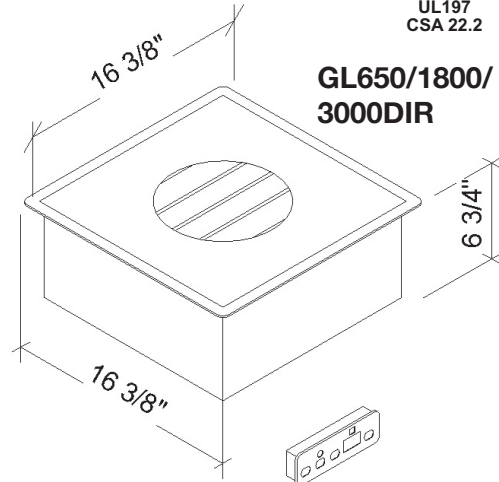
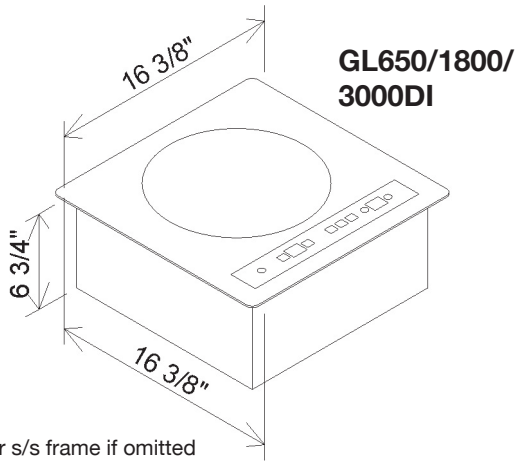
- Integral control panel: on/off + (+/-) + power level + 99 min. timer [9 (GL650) or 20 (GL 1800/3000) power levels]
- Integral stainless steel mounting top frame
- Two (2) cooling fans
- Optional remote control panel connected to unit with 5’-0” wire harness



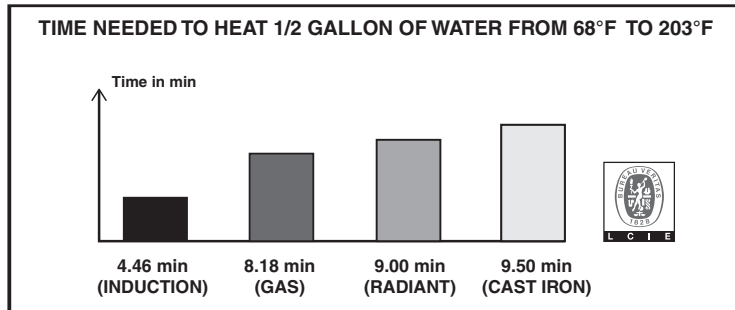
100 NIAN TIC AVENUE; SUITE 104 PROVIDENCE, RI 02907
TEL: (401)273-3300 FAX: (401) 273-3328 E-mail: sales@equipex.com
www.equipex.com



Drop-in Induction Warmers and Cookers



*Deduct 1 1/2" for s/s frame if omitted



INDUCTION TECHNOLOGY
How does it work? Induction is a basic principal of physics. When the electric current goes through a copper coil it creates a magnetic field. The pan attracts the magnetic field and creates heat. Induction technology is over **90% efficient**, therefore there is no waste of power or heat. As soon as the pan is removed, the induction unit turns off and **saves you energy**.

SPECIFICATIONS

NOTES: 1) REQUIRES THE USE OF INDUCTION READY COOKWARE
 2) ADD 6" CLEARANCE UNDER AND ADEQUATE VENTILATION

MODEL	ELECTRICAL	DIMENSIONS	CUT OUT SIZE	SHIPPING WEIGHT	NEMA PLUG
GL650DI	120V, 1PH 0.65KW, 6 Amps	16 3/8"W x 16 3/8"D x 6 3/4"H	14"W x 14"D	18 lbs	5 - 15P
GL650DIR*	120V, 1PH 0.65KW, 6 Amps	16 3/8"W x 16 3/8"D x 6 3/4"H	14"W x 14"D	20 lbs	5 - 15P
GL1800DI	120V, 1PH 1.8KW, 15 Amps	16 3/8"W x 16 3/8"D x 6 3/4"H	14"W x 14"D	18 lbs	5 - 15P
GL1800DIR*	120V, 1PH 1.8KW, 15 Amps	16 3/8"W x 16 3/8"D x 6 3/4"H	14"W x 14"D	20 lbs	5 - 15P
GL3000DI	208/240V, 1PH 3.0KW, 13/15 Amps	16 3/8"W x 16 3/8"D x 6 3/4"H	14"W x 14"D	18 lbs	6 - 20P
GL3000DIR*	208/240V, 1PH 3.0KW, 13/15 Amps	16 3/8"W x 16 3/8"D x 6 3/4"H	14"W x 14"D	20 lbs	6 - 20P
*GL DI Control Panel	with 5'-0" wire harness	6 3/4"W x 1 1/2"D x 2 1/4"H	6 7/16"W x 1 3/4"H	N/A	N/A

WARRANTY: Limited 2 years parts and labor



100 NIANTIC AVENUE; SUITE 104 PROVIDENCE, RI 02907
 TEL: (401)273-3300 FAX: (401) 273-3328 E-mail: sales@equipex.com
 www.equipex.com