

*This Space for Architect/Engineer Approval*

Job Name \_\_\_\_\_ Date \_\_\_\_\_

Model Specified \_\_\_\_\_ Quantity \_\_\_\_\_

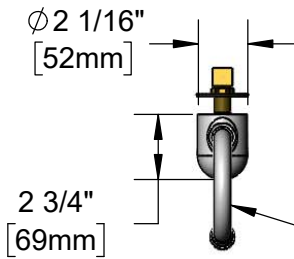
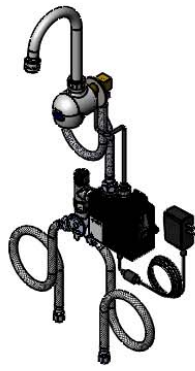
Customer/Wholesaler \_\_\_\_\_

Contractor \_\_\_\_\_

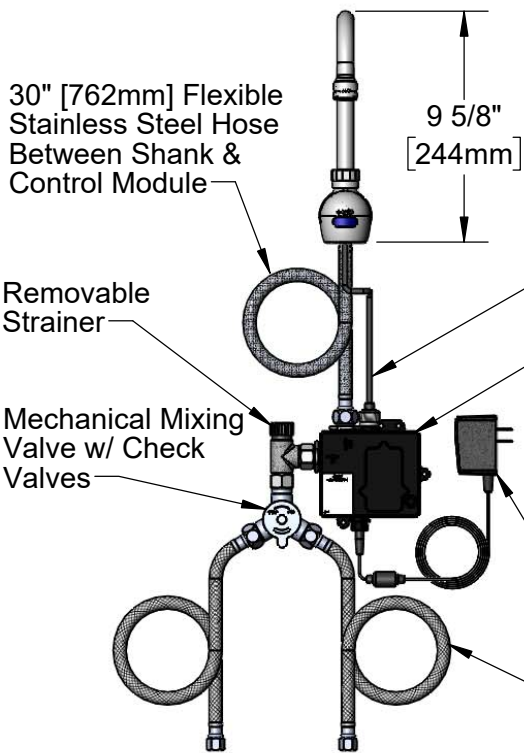
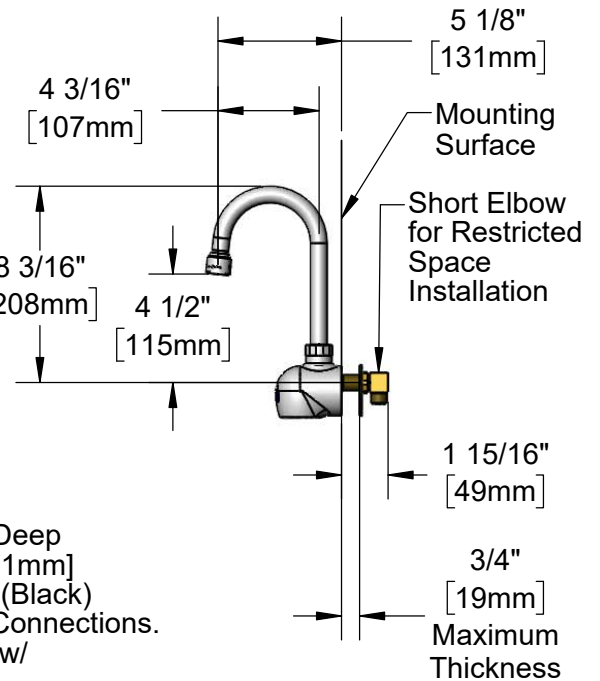
Architect/Engineer \_\_\_\_\_



**ADA Compliant**



Swivel Gooseneck  
w/ 2.2 GPM [8.3 LPM]  
Vandal Resistant Aerator.  
Rigid Conversion Requires  
017421-45 Lock washer  
(Included)



24" [610mm]  
Sensor Cable

3 5/8" x 4 3/16" x 2" Deep  
[92mm x 106mm x 51mm]  
Control Module Box (Black)  
w/ Water Resistant Connections.  
AC or DC Operated w/  
(4) AA Batteries

100-240 VAC Adapter  
w/ 71" [1800mm]  
Power Cord

(2) 18" [457mm]  
Flexible Stainless  
Steel Supply Hoses.  
1/2" NPSM Female  
x 3/8" Compression  
Female

Rough-In Requirement:  
Ø 1 1/8" [29mm] Mounting Hole

Model Number  
**5EF-1D-WGAT**

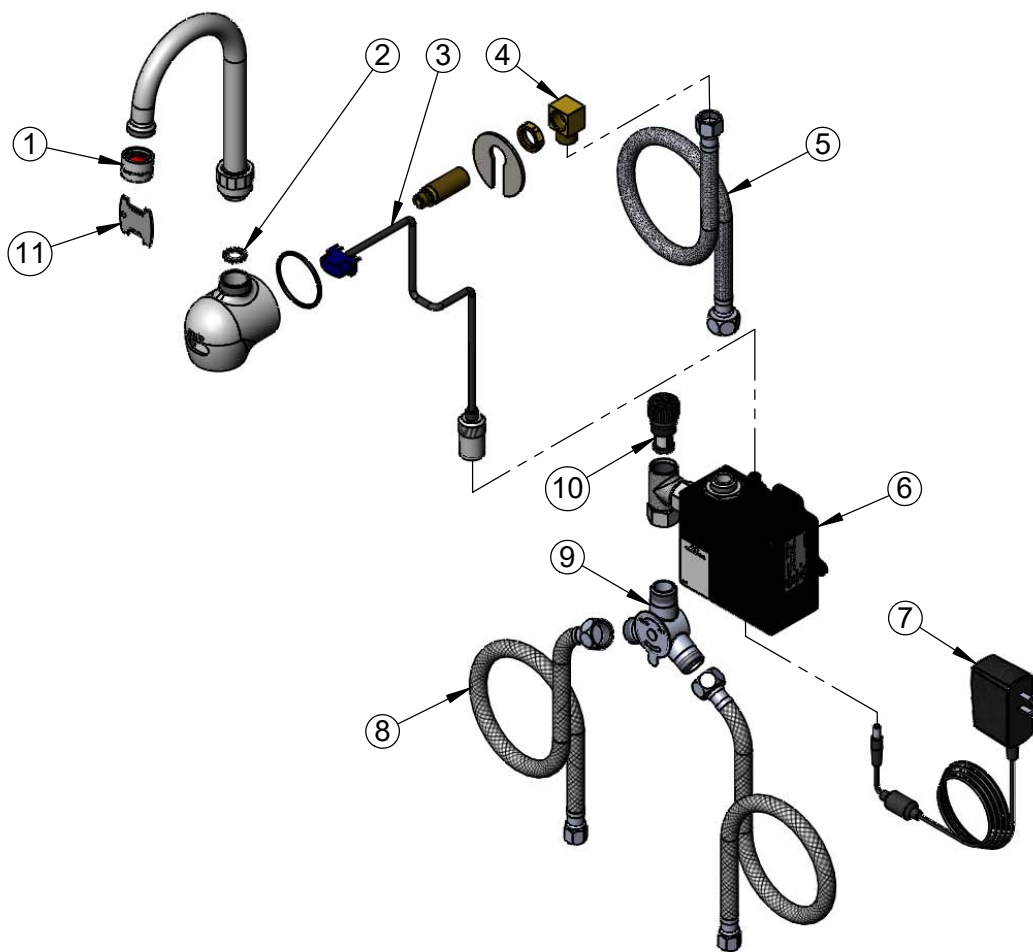
Product Specifications:  
**Electronic Faucet: Wall Mount Swivel Gooseneck, 2.2 GPM VR Aerator, AC-DC Control Module, Temperature Control Mixing Valve, Check Valves & (2) 18" Flexible Supply Hoses**

Product Compliance:  
ASME A112.18.1 / CSA B125.1  
NSF 61 - Section 9  
NSF 372 (Low Lead Content)  
ANSI A117.1 (ADA)  
UL 1951

equip  
Foodservice  
Accessories

2 Saddleback Cove, P.O. Box 1088  
Travelers Rest, South Carolina 29690  
Phone: 800.891.4808 Fax: 800.868.0084  
equip.tsbrass.com

ITEM NO.	SALES NO.	DESCRIPTION
1	B-0199-06	VR 2.2 GPM Aerator, 55/64-27 UN Female w/ Key
2	017421-45	Serrated Lock Washer
3	5EF-0003	24" Sensor Cable
4	015345-20	3/8-18 NPSM Low Profile Elbow
5	016325-45	Flex Connector, 3/8 NPSM x 1/2 NPSM
6	5EF-0001	equip Sensor Faucet - Control Module
7	5EF-0002	equip AC Transformer, 100-240 VAC
8	5EF-0005	Supply Hose, 3/8" Compression x 1/2" NPSM
9	5EF-0006	Mechanical Mixing Valve
10	5EF-FILTER	Replacement Filter
11	015425-45	Vandal Resistant Key



Model Number

**5EF-1D-WGAT**

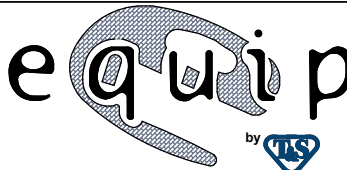
Product Specifications:

Electronic Faucet: Wall Mount Swivel Gooseneck, 2.2 GPM VR Aerator, AC-DC Control Module, Temperature Control Mixing Valve, Check Valves & (2) 18" Flexible Supply Hoses

Product Compliance:

ASME A112.18.1 / CSA B125.1  
NSF 61 - Section 9  
NSF 372 (Low Lead Content)  
ANSI A117.1 (ADA)  
UL 1951

equip  
Foodservice  
Accessories



2 Saddleback Cove, P.O. Box 1088  
Travelers Rest, South Carolina 29690  
Phone: 800.891.4808 Fax: 800.868.0084  
equip.tsbrass.com