

K-SOFT

SOFT ICE CREAM DISPENSERS

Project

Date

Models

K-Soft Gravity
K-Soft Pump

Item #

Quantity



Model K-Soft

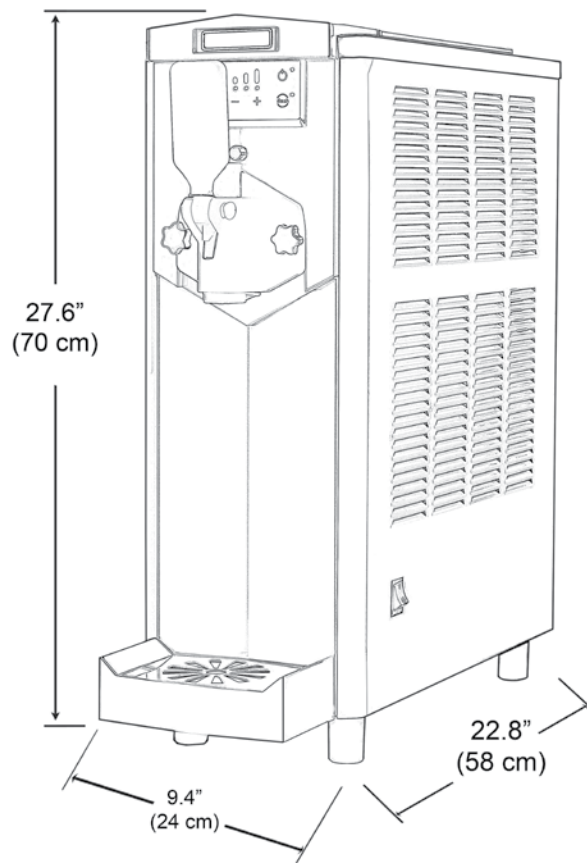
Features

- Perfect for users who want to enter soft ice cream market without investing in industrial, oversized equipment.
- Compact counter-top unit, ideal for small spaces.
- Simple, practical, quiet, and reliable.
- Production capacity of 11 lbs. (5 kg) per hour.
- Excellent capacity: 0.92 gallon (3.5 L) in cooled upper tank, and 0.26 gallon (1 L) in freezing cylinder, for a total capacity of 1.2 gallon (4.5 L).
- Air cooling.
- Certified NSF-6 safe for milk.

K-SOFT

SOFT ICE CREAM DISPENSERS

Model K-Soft



NSF-6



MODEL	DESCRIPTION	PRODUCTION CAPACITY	ELECTRICAL	REFRIGERATION	PRODUCT DIMENSIONS (H X W X D)	PRODUCT WEIGHT	SHIP WEIGHT
K-Soft Gravity* (1208-000)	0.92 gallon (3.5 L) capacity in cooled upper tank, 0.26 gallon (1 L) capacity in freezing cylinder, 1.2 gallon (4.5 L) total capacity	11 lbs. (5 kg) per hour	115V / 60 Hz 0.9 kW / 9.2 A 1 Ph	Refrigerant: R404A Compressor: 3/4 hp air cooled	27.6" x 9.4" x 22.8" (70 cm x 24 cm x 58 cm)	121 lbs. (55 kg)	130 lbs. (59 kg)
K-Soft Pump** (1208-001)	0.92 gallon (3.5 L) capacity in cooled upper tank, 0.26 gallon (1 L) capacity in freezing cylinder, 1.2 gallon (4.5 L) total capacity	11 lbs. (5 kg) per hour	115V / 60 Hz 0.9 kW / 9.2 A 1 Ph	Refrigerant: R404A Compressor: 3/4 hp air cooled	27.6" x 9.4" x 22.8" (70 cm x 24 cm x 58 cm)	121 lbs. (55 kg)	130 lbs. (59 kg)

Note: Operate at room temperature between 75 - 90° F (24 and 32° C)

***Note:** Clearance of 10" (25 cm) required on left side to allow for collection drawer removal, all other sides require clearance of 8" (20 cm).

****Note:** Clearance of 8" (20 cm) required on all sides.

Grindmaster™ 4003 Collins Lane, Louisville, KY 40245 USA

Tel: +1.502.425.4776 / 800.695.4500 (USA & Canada only) • Fax: +1.502.425.4664 • www.grindmaster.com

© 2020 Grindmaster™ PRINTED IN USA | 0419 Form # CC-104-02