

PRECISIONBREW™ DECANTER BREWER

Project

Date

Models

B-3-120V

B-3WL-120V

B-3WR-120V

Item #

Quantity



Model B-3
(Decanters sold separately)



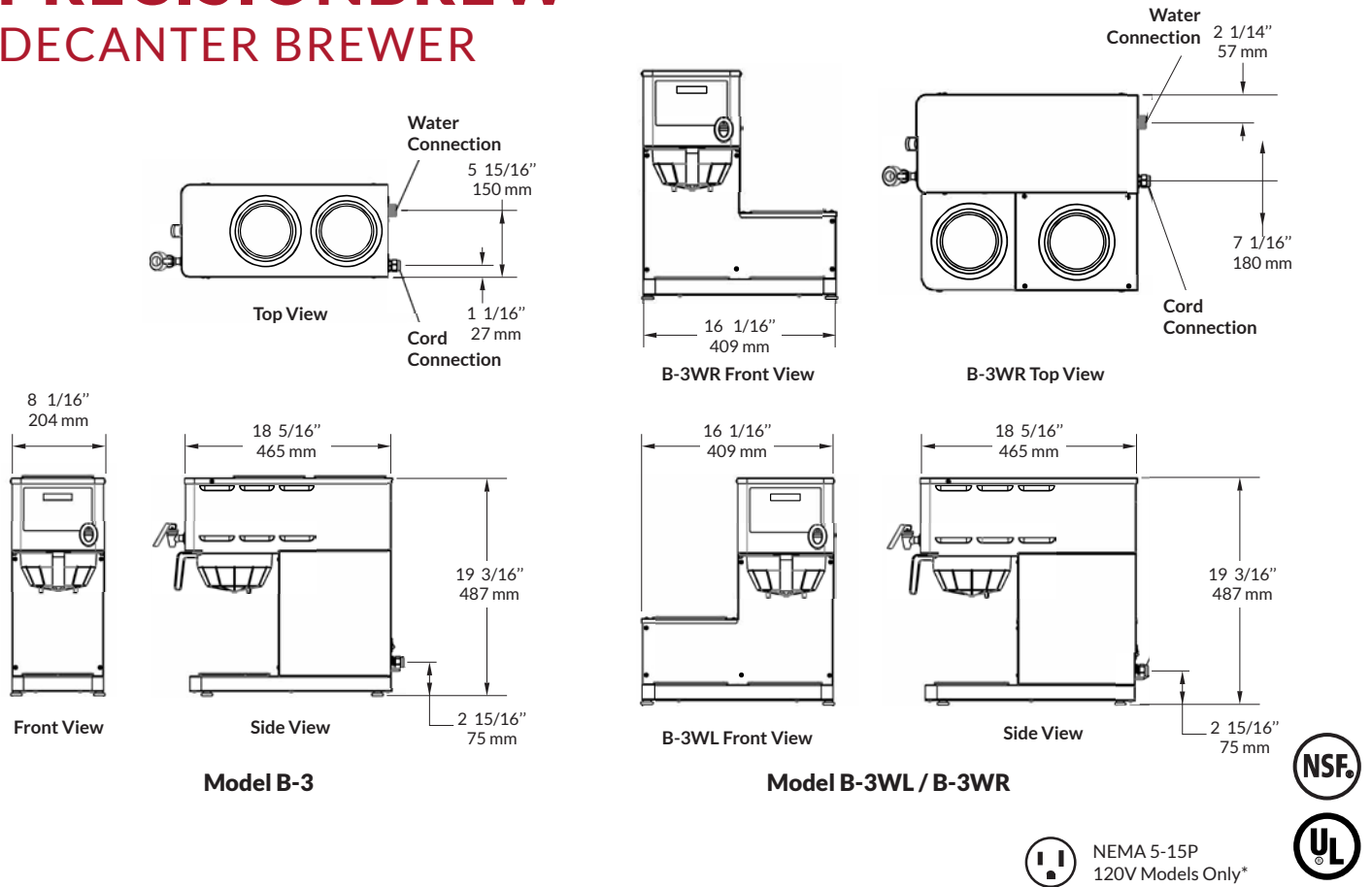
Model B-3WL
(Also available with right side warmers: B-3WR)
(Decanters sold separately)

Features

- Precise brew temperature control. The brewer will maintain the brew temperature to +/- 0.5°C (1°F).
- The number of pulses, pulse-on and pulse-off time can be programmed to extract more solids (TDS) from the coffee.
- Brew Volume can be set by "teach" mode to eliminate trial-and-error set-up.
- The brewer is set to prevent brewing until the water has reached the optimal brew temperature thus reducing coffee waste.
- The brewer settings can be "locked" to prevent tampering. No unexpected changes to coffee flavor which protects customer satisfaction and prevents coffee waste.
- Energy saving option to shut off the tank heater after a set amount of time of inactivity.
- The warmers turn off after a customer-set amount of time to prevent damaging decanters, scalding coffee, or even creating a safety issue.
- The unit has wakeup time so the customer can tell the unit to heat at a set time.
- Power option on front that shuts off heater and warmers without reaching behind brewer.
- "Half Brew" function allows to prepare half volume to reduce water and energy consumption and minimize coffee waste.
- The modern design features all stainless steel construction, rounded corners, and attractive control panel.
- The operator interface has universally recognizable symbols to make the machine easy to use correctly regardless of the language spoken by the operator.
- The smooth design of the interface facilitates easy cleaning and sanitization of the contact area.
- The brewer counts the number of brew cycles for preventative maintenance. No equipment downtime or lost sales due to maintenance.
- A hot water faucet is conveniently located on the front of the machine for preparing single servings of tea, soup, and cereal quickly.

PRECISIONBREW™

DECANTER BREWER



MODEL	DESCRIPTION	PRODUCT DIMENSIONS (H X W X D)	SHIP DIMENSIONS (H X W X D)	ELECTRICAL	SHIP WEIGHT
B-3-120V 1003-021	Single, digitally controlled decanter brewer. Warmers: 1 bottom, 2 top.	19-3/16" x 8-1/16" x 18-5/16" (49 cm x 20 cm x 47 cm)	22-1/2" x 24-1/2" x 9-1/2" (57 cm x 62 cm x 24 cm)	120V / 1825W / 15 A / 1 Ph NEMA 5-15P	28 lbs. (13 kg)
B-3WR-120V 1003-023	Single, digitally controlled decanter brewer. Warmers: 1 bottom, 2 right side	19-3/16" x 16-1/16" x 18-5/16" (49 cm x 41 cm x 47 cm)	22-1/2" x 24-1/2" x 17-1/2" (57 cm x 62 cm x 45 cm)	120V / 1825W / 15 A / 1 Ph NEMA 5-15P	34 lbs. (14 kg)
B-3WL-120V 1003-025	Single, digitally controlled decanter brewer. Warmers: 1 bottom, 2 left side	19-3/16" x 16-1/16" x 18-5/16" (49 cm x 41 cm x 47 cm)	22-1/2" x 24-1/2" x 17-1/2" (57 cm x 62 cm x 45 cm)	120V / 1825W / 15 A / 1 Ph NEMA 5-15P	34 lbs. (14 kg)

Plumbing: 3/4" GHT fitting at 30 - 80 psi required.

Electrical: *NEMA 5-15P plug included with 120V models.

Brew Capacity: (64 oz. decanters per hour) (12) at 120V.

Listings: 120 V models - UL, NSF

Note: Decanters sold separately. Contact Grindmaster™ for more information. Specifications subject to improvement or change without notice.

Grindmaster™ 4003 Collins Lane, Louisville, KY 40245 USA

Tel: +1.502.425.4776 / 800.695.4500 (USA & Canada only) • Fax: +1.502.425.4664 • www.grindmaster.com

© 2021 Grindmaster™ PRINTED IN USA | 0621 Form # AM-203-07