

SIMPLICITY™ BUBBLER®

TRIPLE TALL

Project

Date

Models

CS-3L-16
CS-3L-16-S
CS-3L-22
CS-3L-22-S

Item #

Quantity



Model CS-3L-16

Features

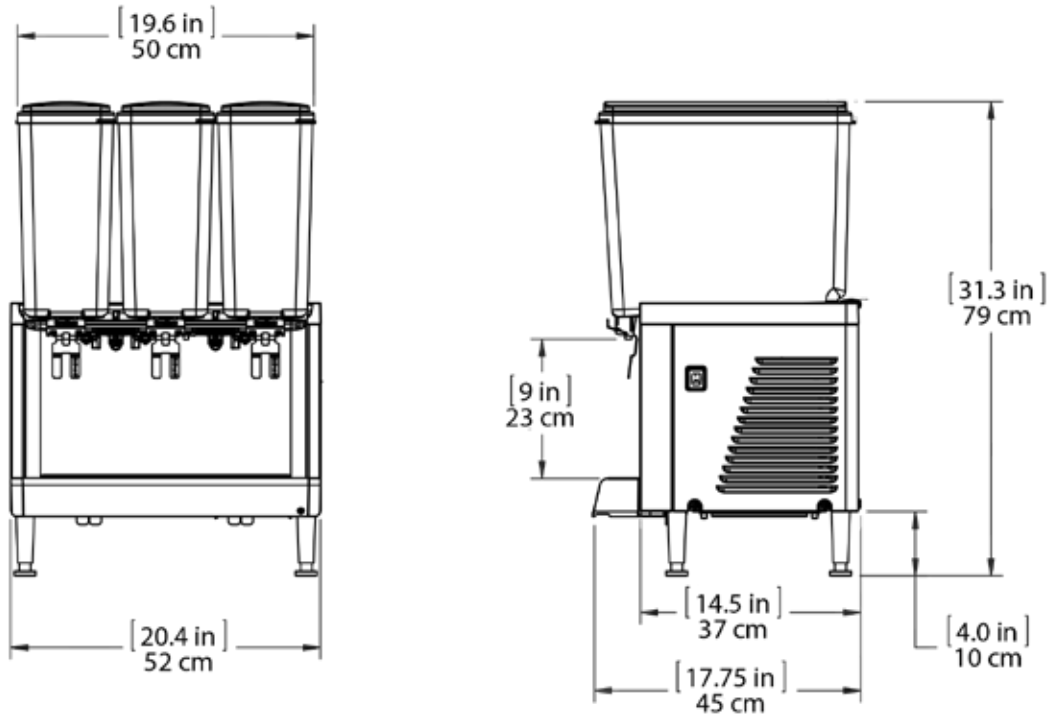
- Premix dispenser with stainless steel base and clear plastic bowls.
- Dispenses 3 flavors in (3) 4.75 gallon (18 L) easy-clean bowls.
- Spray or Agitation model available.
- Agitation function for fresh juices, coffees, or teas with minimal foaming system.
- Spray function attracts more customers with dynamic moving product.
- Unique to Simplicity, the air intakes from the bottom and exhausts to back. This efficient cooling uses less energy and saves money.
- New easy-off bowl release system for faster and easier assembly and disassembly. No more reaching into the bowl makes cleaning easier and reduces labor.
- Compact size of 20.4" (52 cm) wide uses less counter space.
- 9" (22.9 cm) cup clearance for a variety of drinks.
- User-friendly design enables machine to dispense product till the very last drop.
- Fewer removable parts to simplify cleaning and reduce maintenance.
- Temperature range from 35 - 41° F (1.7 - 5° C).



SIMPLICITY™ BUBBLER®

TRIPLE TALL

Model CS-3L-16
represented



MODEL	DESCRIPTION	ELECTRICAL	PRODUCT DIMENSIONS (H X W X D)	SHIP DIMENSIONS (H X W X D)	SHIP WEIGHT IN TWO BOXES
CS-3L-16* Base: (231-00426) Bowl: (231-00549)	(3) 4.75 gallon (18 L) bowls Agitator model	120V 60 Hz 8.5A	31.3" x 20.4" x 17.75" (80 cm x 52 cm x 45 cm)	Base: 20.8" x 19" x 24.8" (53 cm x 48 cm x 63 cm) Bowl: 22" x 22" x 13.8" (56 cm x 56 cm x 35 cm)	Total: 101 lbs. (46 kg) Base: 77 lbs. (35 kg) Bowl: 24 lbs. (11 kg)
CS-3L-16-S* Base: (231-00427) Bowl: (231-00550)	(3) 4.75 gallon (18 L) bowls Spray model	120V 60 Hz 8.5A	31.3" x 20.4" x 17.75" (80 cm x 52 cm x 45 cm)	Base: 20.8" x 19" x 24.8" (53 cm x 48 cm x 63 cm) Bowl: 22" x 22" x 13.8" (56 cm x 56 cm x 35 cm)	Total: 101 lbs. (46 kg) Base: 77 lbs. (35 kg) Bowl: 24 lbs. (11 kg)
CS-3L-22 Base: (231-00418) Bowl: (231-00549)	(3) 4.75 gallon (18 L) bowls Agitator model	220-240V 50/60 Hz 4A	31.3" x 20.4" x 17.75" (80 cm x 52 cm x 45 cm)	Base: 20.8" x 19" x 24.8" (53 cm x 48 cm x 63 cm) Bowl: 22" x 22" x 13.8" (56 cm x 56 cm x 35 cm)	Total: 101 lbs. (46 kg) Base: 77 lbs. (35 kg) Bowl: 24 lbs. (11 kg)
CS-3L-22-S Base: (231-00419) Bowl: (231-00550)	(3) 4.75 gallon (18 L) bowls Spray model	220-240V 50/60 Hz 4A	31.3" x 20.4" x 17.75" (80 cm x 52 cm x 45 cm)	Base: 20.8" x 19" x 24.8" (53 cm x 48 cm x 63 cm) Bowl: 22" x 22" x 13.8" (56 cm x 56 cm x 35 cm)	Total: 101 lbs. (46 kg) Base: 77 lbs. (35 kg) Bowl: 24 lbs. (11 kg)

*Electrical: NEMA 5-15P line cord included.

Refrigeration: 1/10 hp.

Note: Product Dimension Height includes 4" (10 cm) legs.

OPTIONS

Condenser Filter (210-00585) - Protect your condenser with a removable, easy-to-clean filter

Liquid Autofill Control Box (2001-000) - Not for use with RO water systems

Grindmaster™ 4003 Collins Lane, Louisville, KY 40245 USA

Tel: +1.502.425.4776 / 800.695.4500 (USA & Canada only) • Fax: +1.502.425.4664 • www.grindmaster.com

© 2020 Grindmaster™ PRINTED IN USA | 0918 Form # CC-951-04