

KRATOS

PROJECT NAME: _____
 LOCATION: _____
 ITEM #: _____ QTY: _____
 MODEL: _____

18 GAUGE STAINLESS STEEL COMPARTMENT SINKS

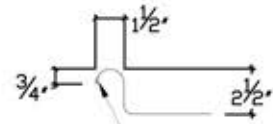
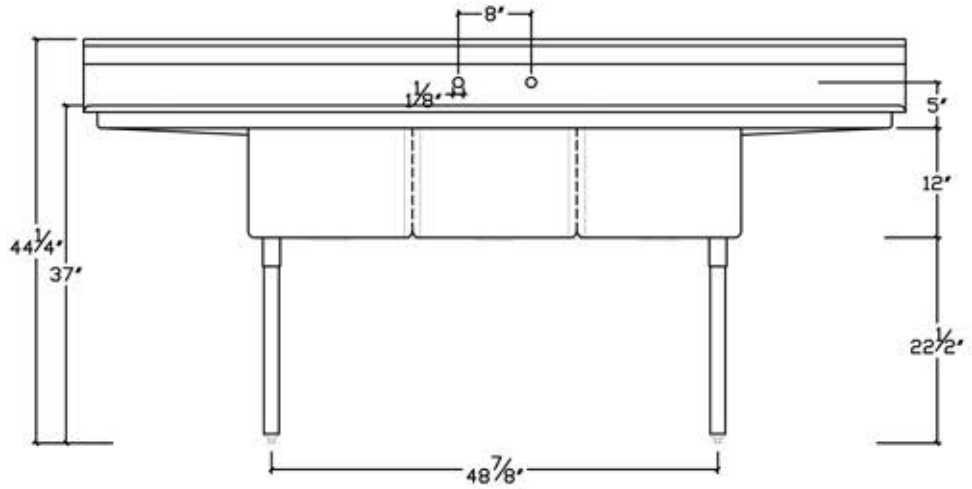
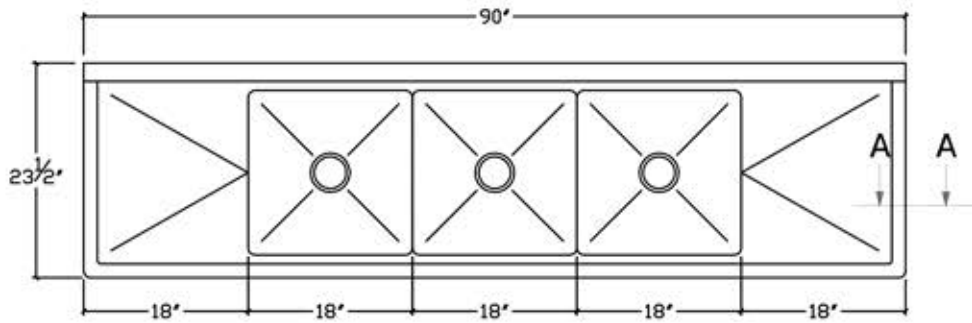


SPECIFICATIONS

ITEM	29N-003	29N-004	29N-005	29N-006	29N-007
BOWLS	3	3	2	2	1
WIDTH	90"	66"	41"	72"	23"
DEPTH	24"	21.5"	24"	24"	24"
HEIGHT	43.75"	45.25"	43.5"	43.5"	43.5"
WORK SURFACE HEIGHT	34.5"	35.25"	34.5"	34.5"	34.5"
STAINLESS STEEL TYPE	304	304	304	304	304
GAUGE	18	18	18	18	18
BOWL SIZE W" X L" X H"	18x18x12	14x16x12	16x20x12	16x20x12	18x18x12
BACKSPLASH HEIGHT	10"	10"	10"	10"	9"
DRAINBOARDS	2 (18")	2 (12")	NONE	2 (18")	NONE
SINK WEIGHT	140 LBS.	124 LBS.	42 LBS.	78 LBS.	42 LBS.

FEATURES

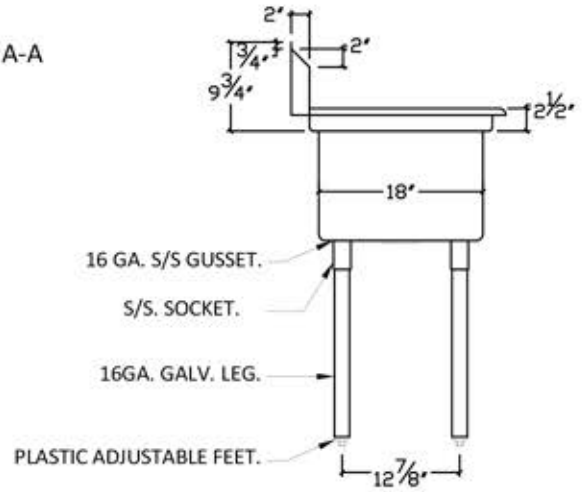
- MADE OF HIGH QUALITY 18 GAUGE 304 STAINLESS STEEL
- STURDY STAINLESS STEEL LEGS WITH BULLET FEET
- ROLLED EDGES & BACKSPLASH KEEP WATER OFF OF THE FLOOR
- 12" DEEP DRAWN SINK COMPARTMENTS
- COMES WITH 1.5" IPS DRAIN CONNECTION & 3 1/2" BASKET STRAINER(S)
- FAUCETS SOLD SEPARATELY
- NSF CERTIFIED



CLOSED HEM
(TO INSIDE OF SINK)

SECTION A-A

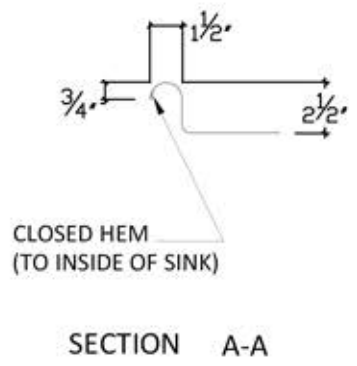
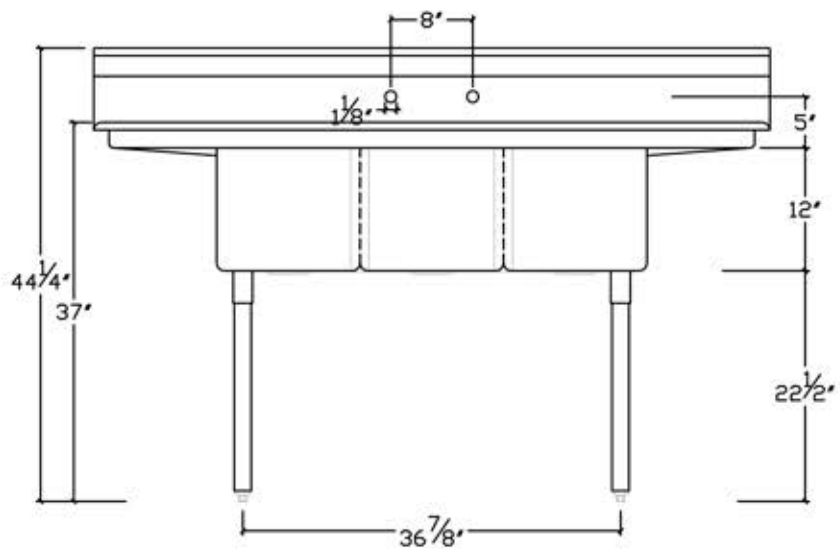
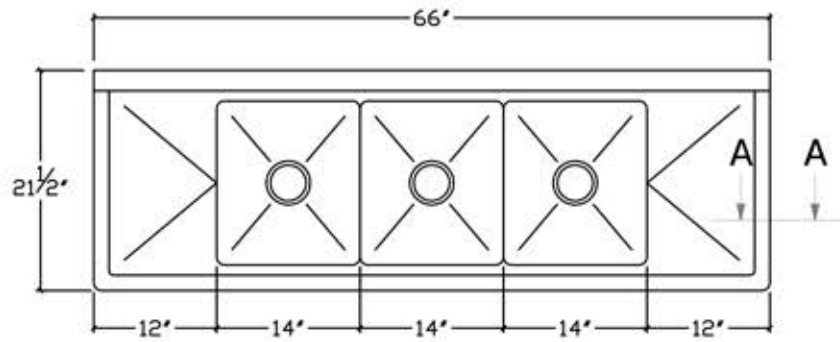
- GENERAL NOTES**
- * TOP - 18 GA. 304 S/S #3 POL.
 - * LEGS - 16 GA. 1-5/8 DIA. GALV. TUBING.
 - * FEET - PLASTIC ADJUSTABLE FEET.
 - * ALL SEAMS WELDED & POLISHED
 - * NO BURRS OR SHARP EDGES
 - * MEETS NSF STD. 2
- FEATURES**
- * 9 3/4" BACK SPLASH.
 - * 3 1/2" DRAIN BASKET INCLUDED.



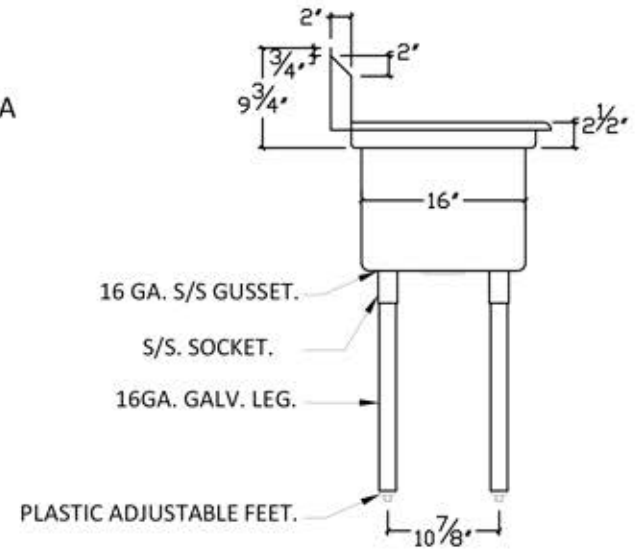
STAINLESS STEEL COMPARTMENT SINKS

29N-003
ITEM NUMBER





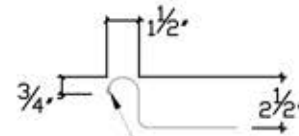
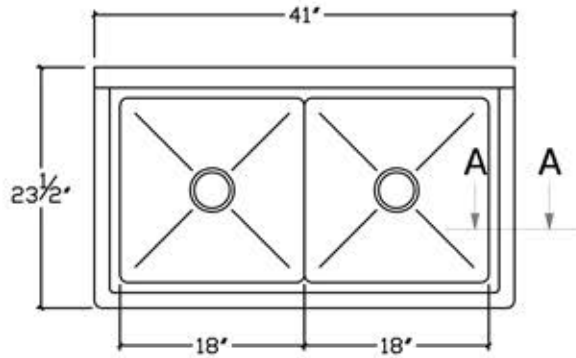
- GENERAL NOTES**
- * TOP - 18 GA. 304 S/S #3 POL.
 - * LEGS - 16 GA. 1-5/8 DIA. GALV. TUBING.
 - * FEET - PLASTIC ADJUSTABLE FEET.
 - * ALL SEAMS WELDED & POLISHED
 - * NO BURRS OR SHARP EDGES
 - * MEETS NSF STD. 2
- FEATURES**
- * 9 3/4" BACK SPLASH.
 - * 3 1/2" DRAIN BASKET INCLUDED.



STAINLESS STEEL COMPARTMENT SINKS

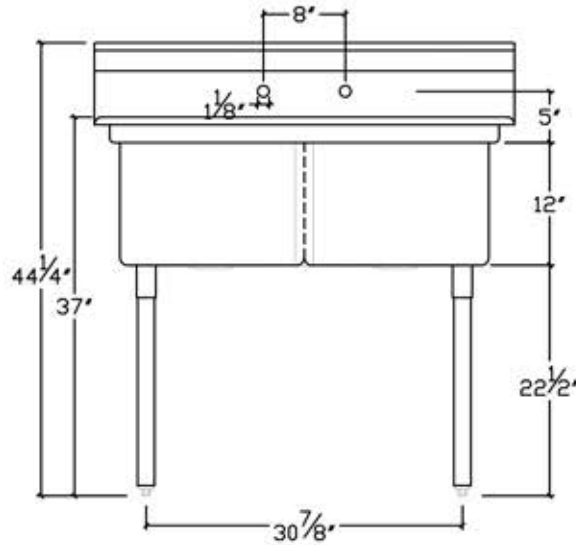
29N-004
ITEM NUMBER





CLOSED HEM
(TO INSIDE OF SINK)

SECTION A-A

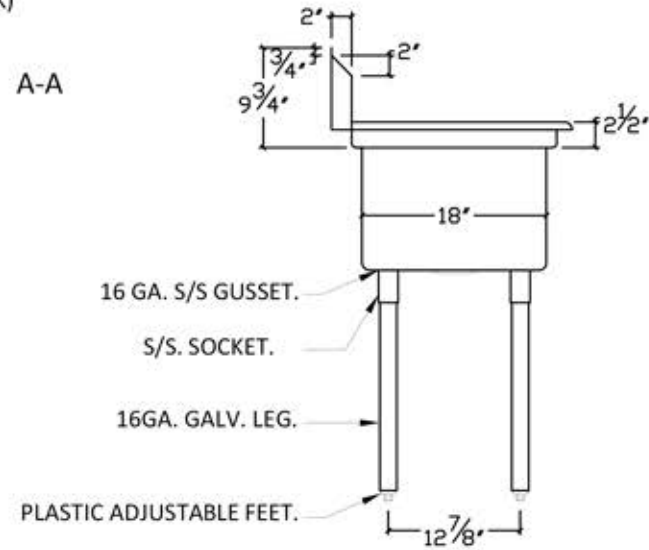


GENERAL NOTES

- * TOP - 18 GA. 304 S/S #3 POL.
- * LEGS - 16 GA. 1-5/8 DIA. GALV. TUBING.
- * FEET - PLASTIC ADJUSTABLE FEET.
- * ALL SEAMS WELDED & POLISHED
- * NO BURRS OR SHARP EDGES
- * MEETS NSF STD. 2

FEATURES

- * 9 3/4" BACK SPLASH.
- * 3 1/2" DRAIN BASKET INCLUDED.



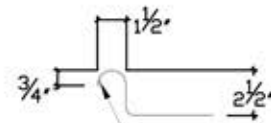
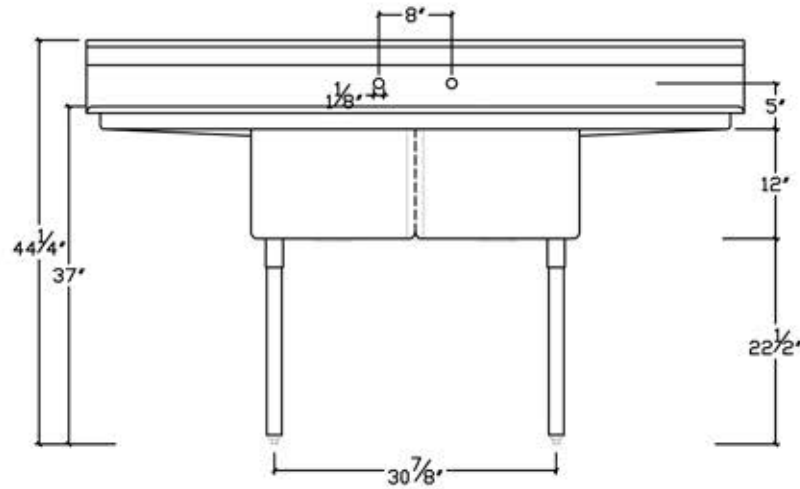
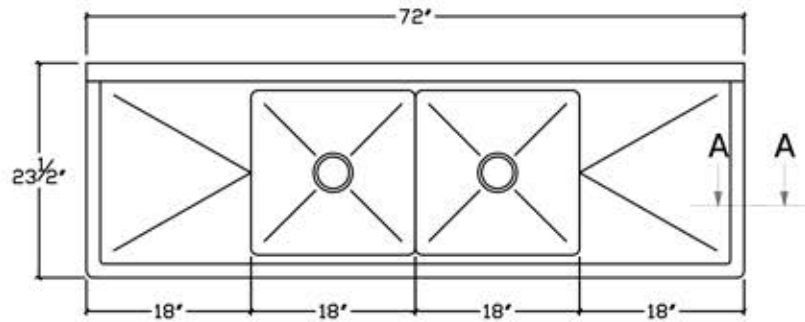
KRATOS

**STAINLESS STEEL
COMPARTMENT SINKS**

29N-005

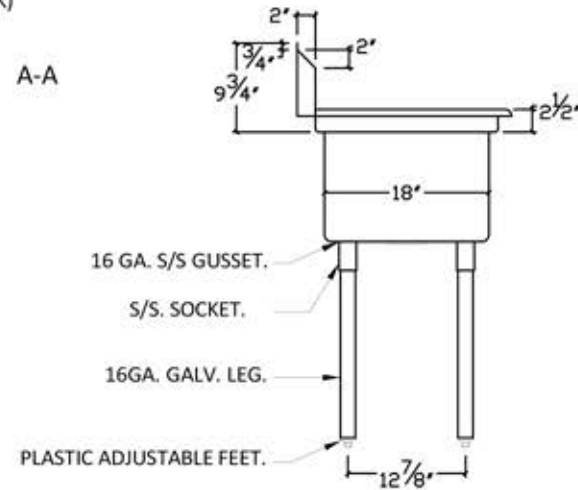
ITEM NUMBER





CLOSED HEM
(TO INSIDE OF SINK)

SECTION A-A



GENERAL NOTES

- * TOP - 18 GA. 304 S/S #3 POL.
 - * LEGS - 16 GA. 1-5/8 DIA. GALV. TUBING.
 - * FEET - PLASTIC ADJUSTABLE FEET.
 - * ALL SEAMS WELDED & POLISHED
 - * NO BURRS OR SHARP EDGES
 - * MEETS NSF STD. 2
- FEATURES
- * 9 3/4" BACK SPLASH.
 - * 3 1/2" DRAIN BASKET INCLUDED.

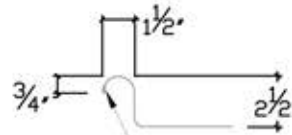
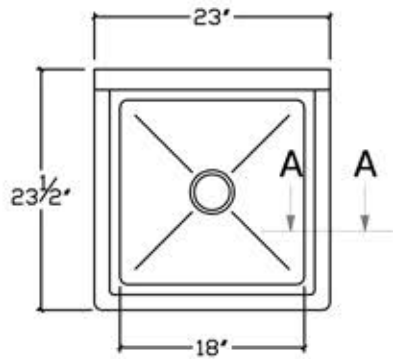
KRATOS

**STAINLESS STEEL
COMPARTMENT SINKS**

29N-006

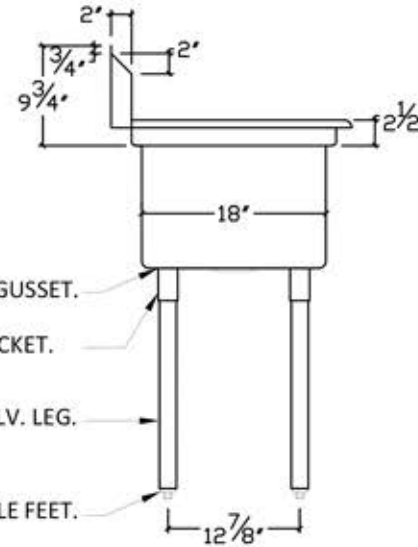
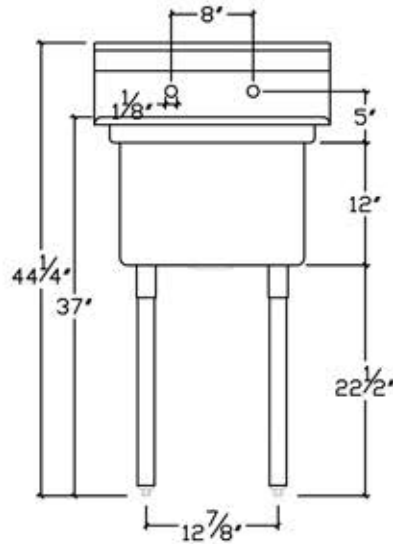
ITEM NUMBER





CLOSED HEM
(TO INSIDE OF SINK)

SECTION A-A



GENERAL NOTES

- * TOP - 18 GA. 304 S/S #3 POL.
 - * LEGS - 16 GA. 1-5/8 DIA. GALV. TUBING.
 - * FEET - PLASTIC ADJUSTABLE FEET.
 - * ALL SEAMS WELDED & POLISHED
 - * NO BURRS OR SHARP EDGES
 - * MEETS NSF STD. 2
- FEATURES
- * 9 3/4" BACK SPLASH.
 - * 3 1/2" DRAIN BASKET INCLUDED.



STAINLESS STEEL COMPARTMENT SINKS

29N-007

ITEM NUMBER

