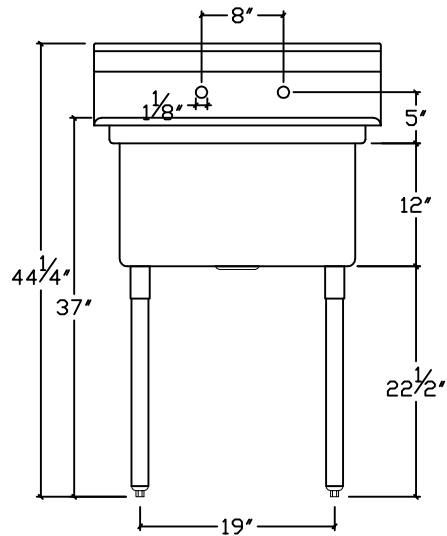
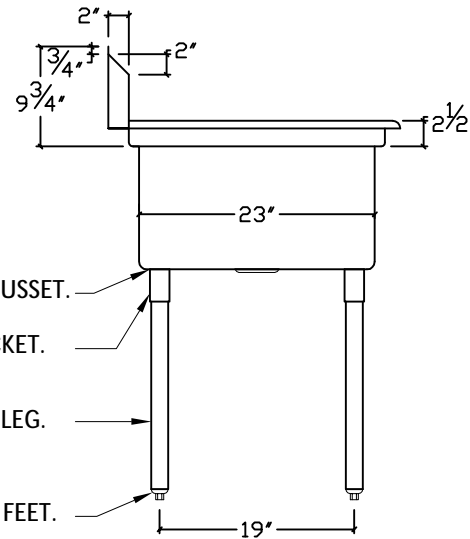


CLOSED HEM  
(TO INSIDE OF SINK)



SECTION A-A



16 GA. S/S GUSSET.

S/S SOCKET.

16GA. S/S. LEG.

S/S ADJUSTABLE FEET.

GENERAL NOTES

- \* TOP - 16 GA. 304 S/S #3 POL.
- \* LEGS - 16 GA. 1-5/8 DIA. S/S. TUBING.
- \* FEET - S/S ADJUSTABLE FEET.
- \* ALL SEAMS WELDED & POLISHED.
- \* NO BURRS OR SHARP EDGES.
- \* MEETS NSF STD. 2

FEATURES

- \* 9 3/4" BACK SPLASH.
- \* 3 1/2" DRAIN BASKET INCLUDED.

**KRATOS**



Approved by

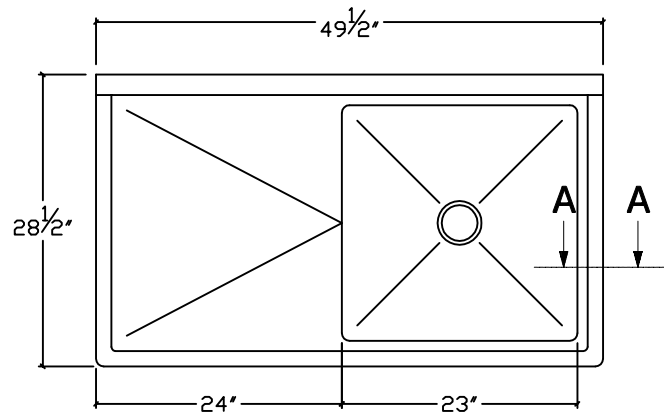
Part#

29N-046

Date

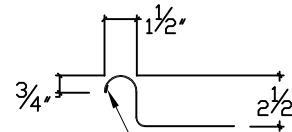
Model#

S1C2323-0



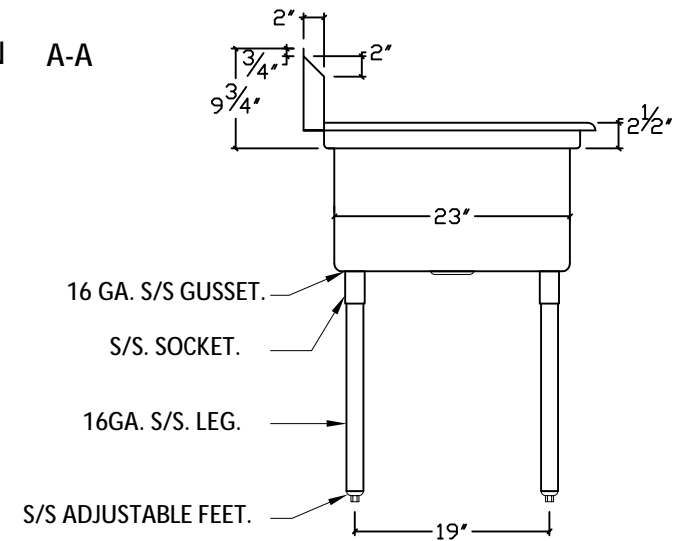
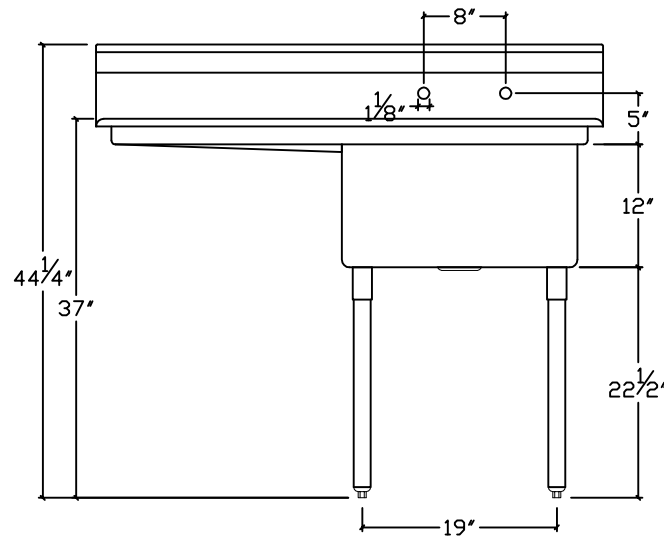
**GENERAL NOTES**

- \* TOP - 16 GA. 304 S/S #3 POL.
  - \* LEGS -16 GA. 1-5/8 DIA. S/S. TUBING.
  - \* FEET - S/S ADJUSTABLE FEET.
  - \* ALL SEAMS WELDED & POLISHED.
  - \* NO BURRS OR SHARP EDGES.
  - \* MEETS NSF STD. 2
- FEATURES**
- \* 9 3/4" BACK SPLASH.
  - \* 3 1/2" DRAIN BASKET INCLUDED.



CLOSED HEM  
(TO INSIDE OF SINK)

**SECTION A-A**



**KRATOS**



Approved by

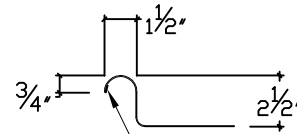
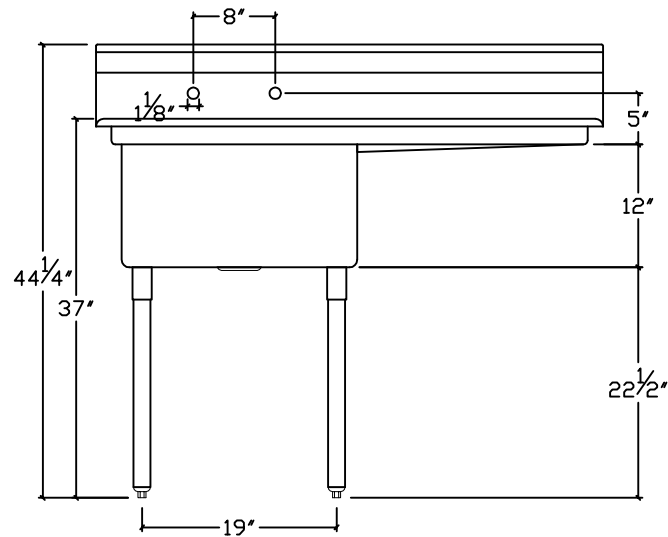
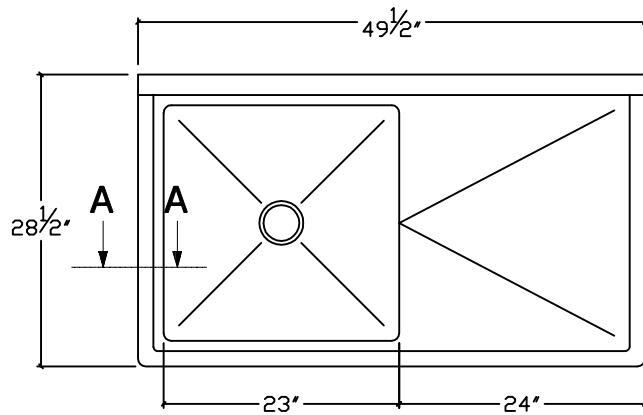
Part#

29N-047

Date

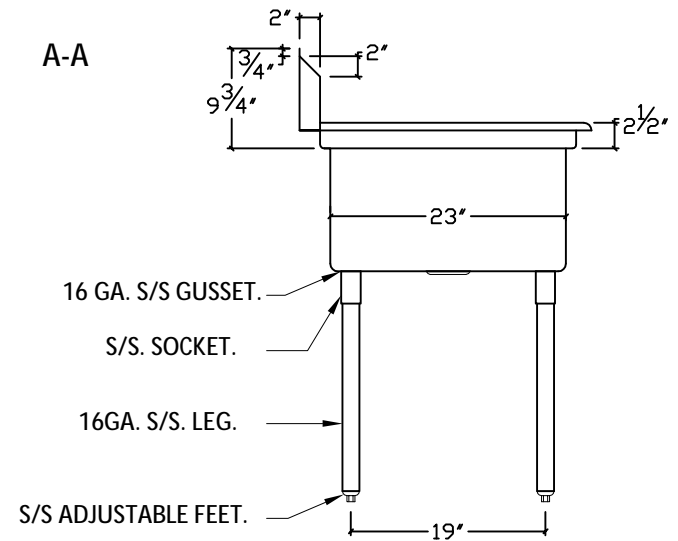
Model#

S1C2323-24L



CLOSED HEM  
(TO INSIDE OF SINK)

SECTION A-A



GENERAL NOTES

- \* TOP - 16 GA. 304 S/S #3 POL.
  - \* LEGS -16 GA. 1-5/8 DIA. S/S. TUBING.
  - \* FEET - S/S ADJUSTABLE FEET.
  - \* ALL SEAMS WELDED & POLISHED.
  - \* NO BURRS OR SHARP EDGES.
  - \* MEETS NSF STD. 2
- FEATURES
- \* 9 3/4" BACK SPLASH.
  - \* 3 1/2" DRAIN BASKET INCLUDED.

**KRATOS**



Approved by

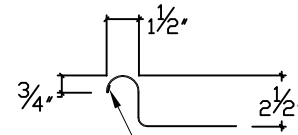
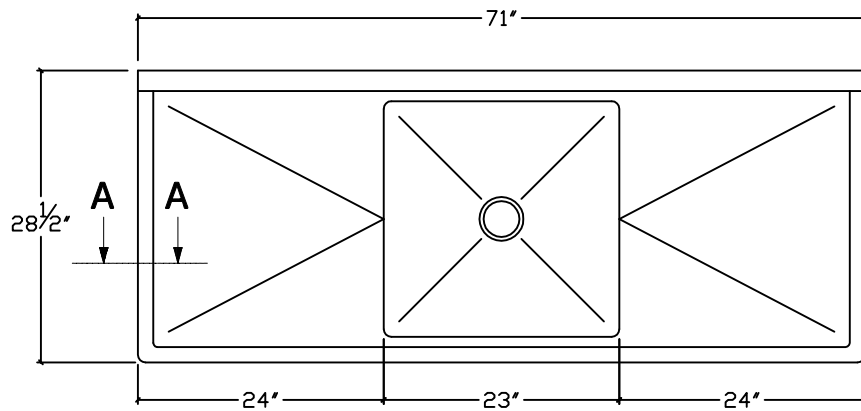
Part#

29N-048

Date

Model#

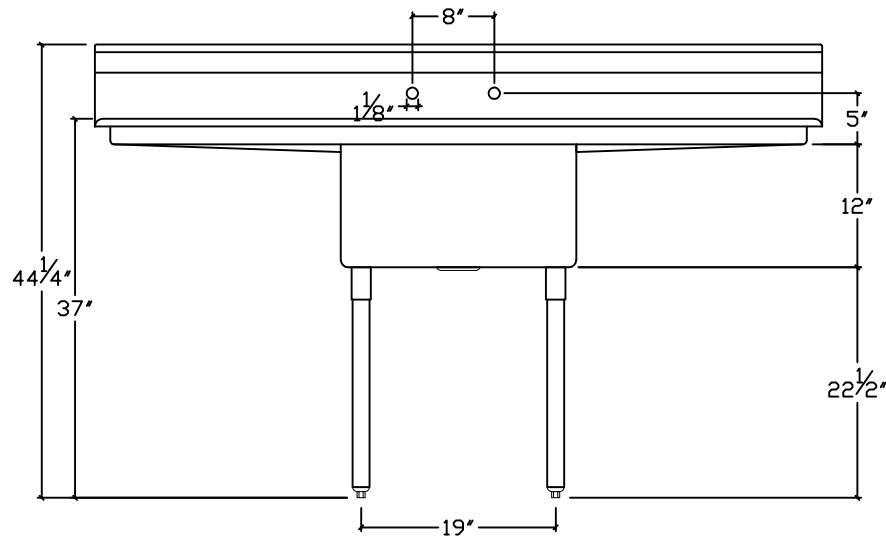
S1C2323-24R



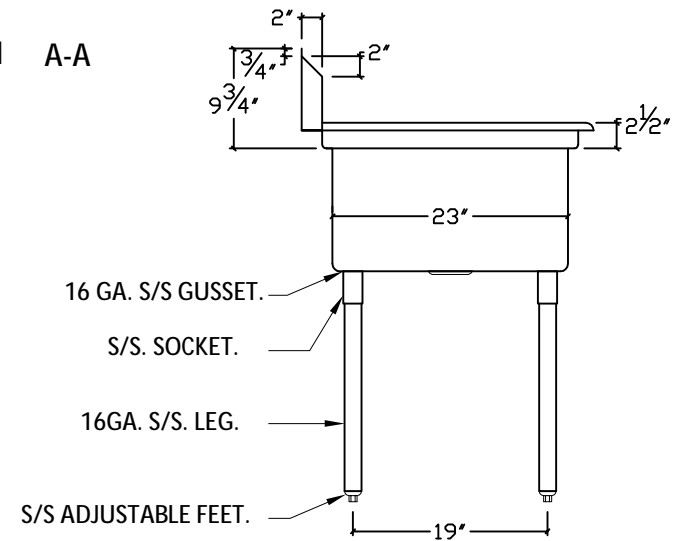
CLOSED HEM  
(TO INSIDE OF SINK)

**GENERAL NOTES**

- \* TOP - 16 GA. 304 S/S #3 POL.
  - \* LEGS - 16 GA. 1-5/8 DIA. S/S. TUBING.
  - \* FEET - S/S ADJUSTABLE FEET.
  - \* ALL SEAMS WELDED & POLISHED.
  - \* NO BURRS OR SHARP EDGES.
  - \* MEETS NSF STD. 2
- FEATURES**
- \* 9 3/4" BACK SPLASH.
  - \* 3 1/2" DRAIN BASKET INCLUDED.



**SECTION A-A**



**KRATOS**



Approved by

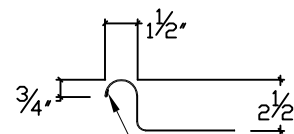
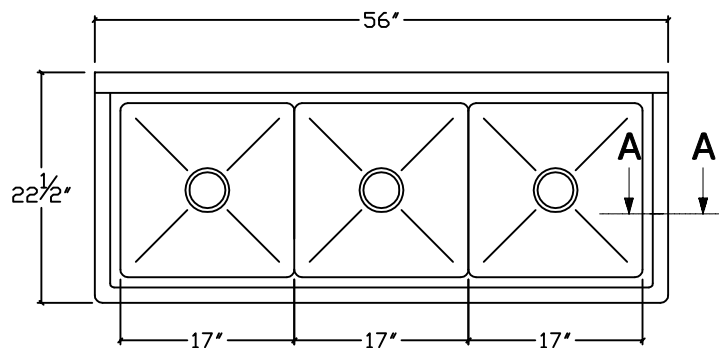
Part#

29N-049

Date

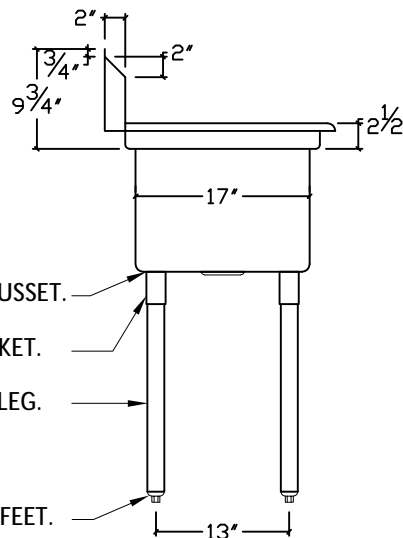
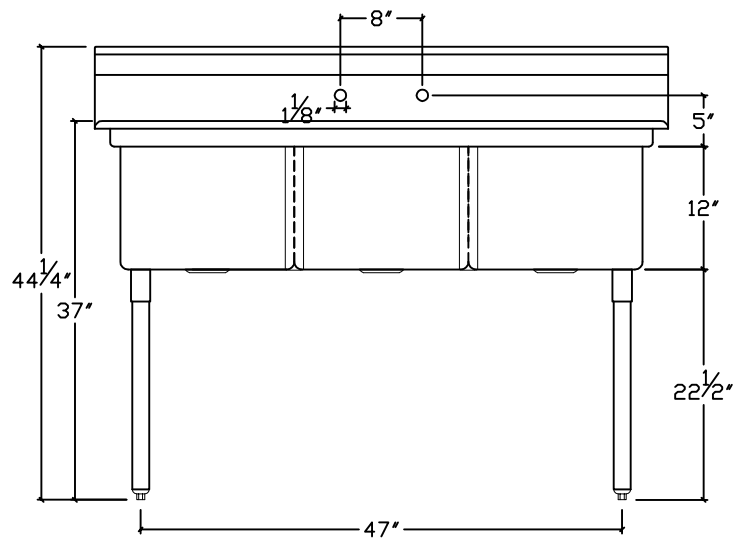
Model#

S1C2323-24RL



CLOSED HEM  
(TO INSIDE OF SINK)

SECTION A-A



GENERAL NOTES

- \* TOP - 16 GA. 304 S/S #3 POL.
  - \* LEGS - 16 GA. 1-5/8 DIA. S/S. TUBING.
  - \* FEET - S/S ADJUSTABLE FEET.
  - \* ALL SEAMS WELDED & POLISHED
  - \* NO BURRS OR SHARP EDGES
  - \* MEETS NSF STD. 2
- FEATURES
- \* 9 3/4" BACK SPLASH.
  - \* 3 1/2" DRAIN BASKET INCLUDED.

**KRATOS**



Approved by

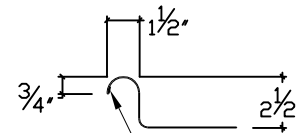
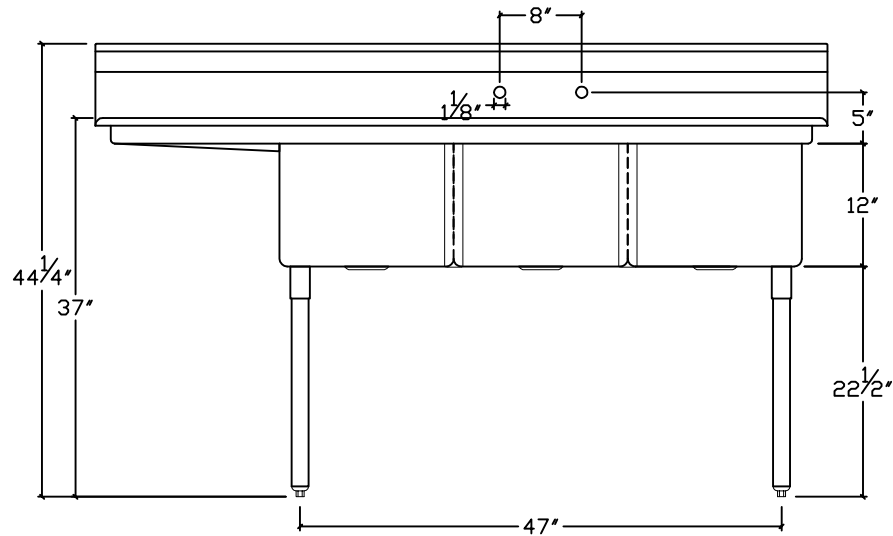
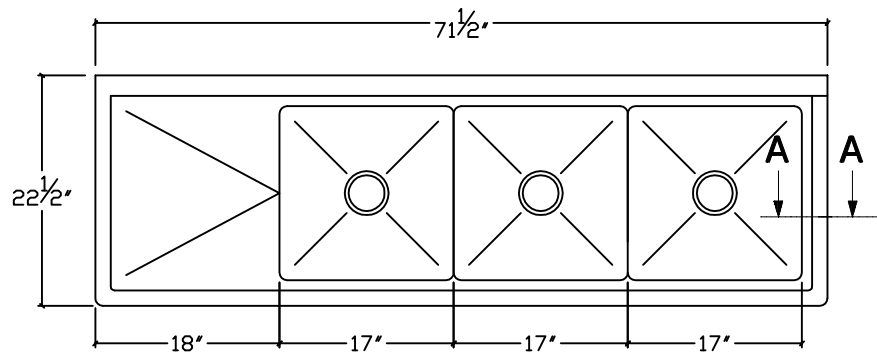
Part#

29N-054

Date

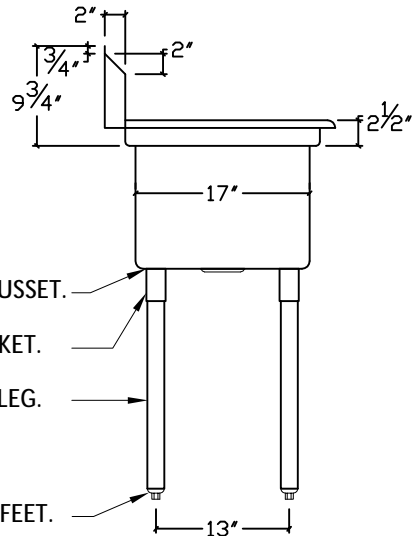
Model#

S3C1717-0



CLOSED HEM  
(TO INSIDE OF SINK)

SECTION A-A



GENERAL NOTES

- \* TOP - 16 GA. 304 S/S #3 POL.
  - \* LEGS - 16 GA. 1-5/8 DIA. S/S. TUBING.
  - \* FEET - S/S ADJUSTABLE FEET.
  - \* ALL SEAMS WELDED & POLISHED
  - \* NO BURRS OR SHARP EDGES
  - \* MEETS NSF STD. 2
- FEATURES
- \* 9 3/4" BACK SPLASH.
  - \* 3 1/2" DRAIN BASKET INCLUDED.

**KRATOS**



Approved by

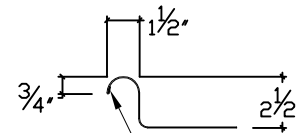
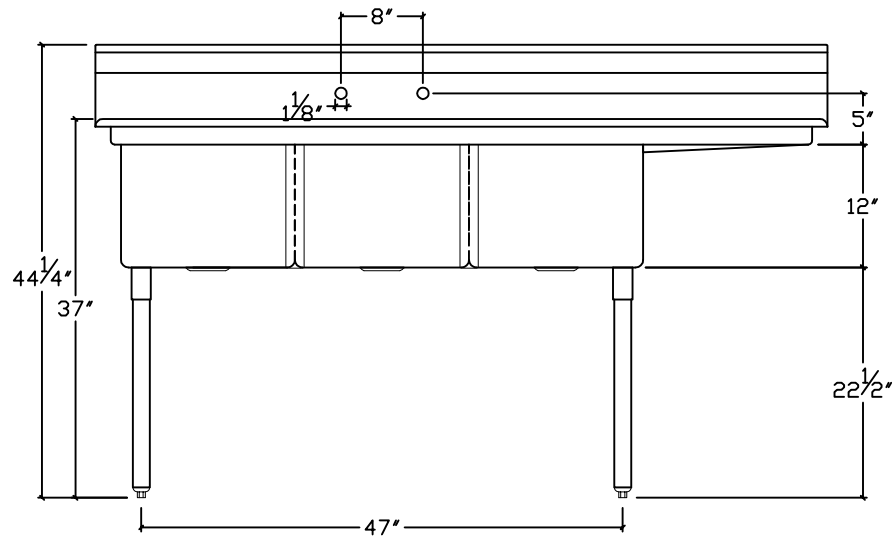
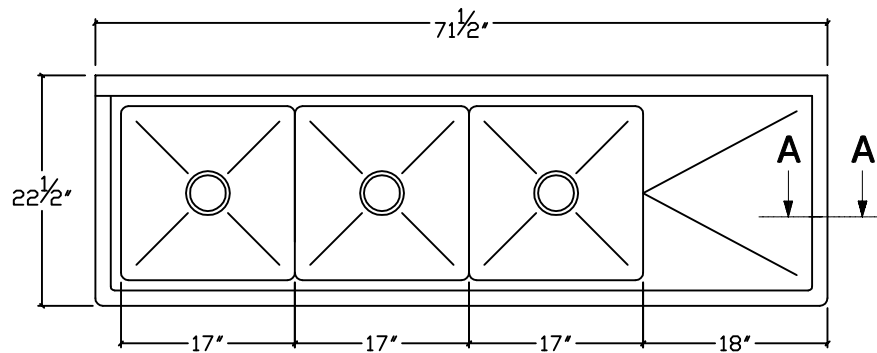
Part#

29N-057

Date

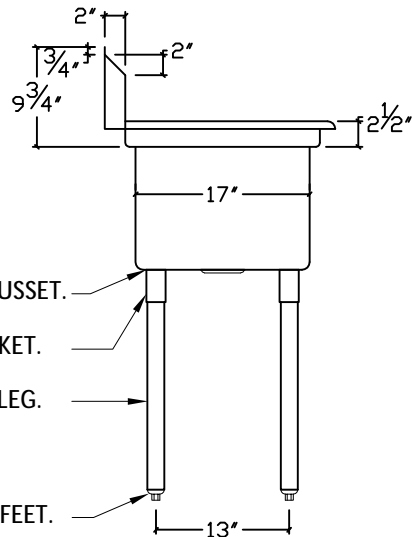
Model#

S3C1717-18L



CLOSED HEM  
(TO INSIDE OF SINK)

SECTION A-A



GENERAL NOTES

- \* TOP - 16 GA. 304 S/S #3 POL.
  - \* LEGS - 16 GA. 1-5/8 DIA. S/S. TUBING.
  - \* FEET - S/S ADJUSTABLE FEET.
  - \* ALL SEAMS WELDED & POLISHED
  - \* NO BURRS OR SHARP EDGES
  - \* MEETS NSF STD. 2
- FEATURES
- \* 9 3/4" BACK SPLASH.
  - \* 3 1/2" DRAIN BASKET INCLUDED.

**KRATOS**



Approved by

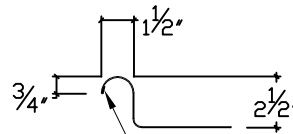
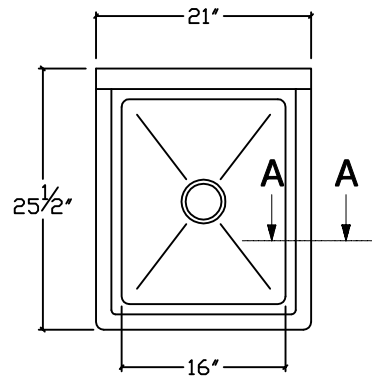
Part#

29N-058

Date

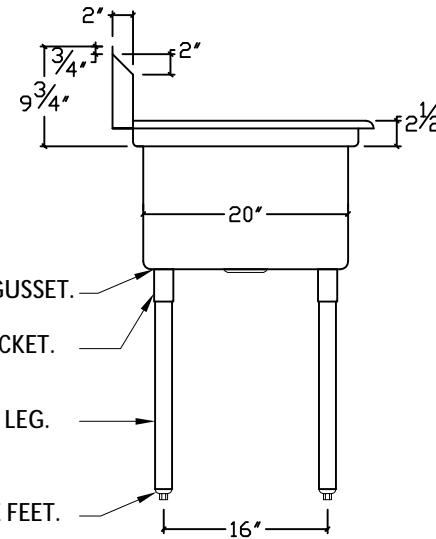
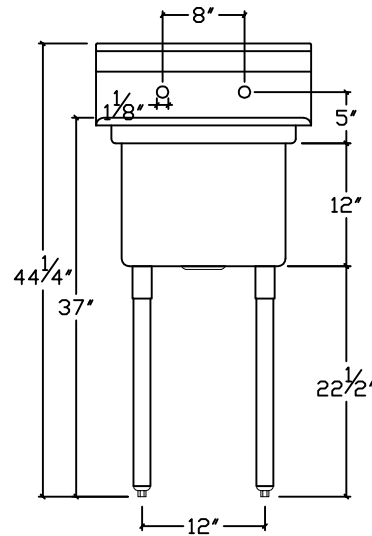
Model#

S3C1717-18R



CLOSED HEM  
(TO INSIDE OF SINK)

SECTION A-A



GENERAL NOTES

- \* TOP - 16 GA. 304 S/S #3 POL.
- \* LEGS - 16 GA. 1-5/8 DIA. S/S. TUBING.
- \* FEET - S/S ADJUSTABLE FEET.
- \* ALL SEAMS WELDED & POLISHED
- \* NO BURRS OR SHARP EDGES
- \* MEETS NSF STD. 2

FEATURES

- \* 9 3/4" BACK SPLASH.
- \* 3 1/2" DRAIN BASKET INCLUDED.

**KRATOS**



Approved by

Part#

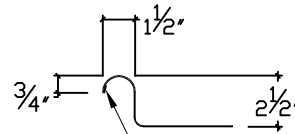
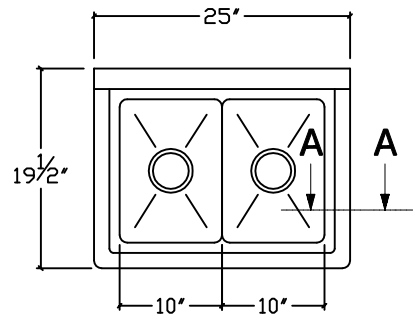
29N-045

Date

Model#

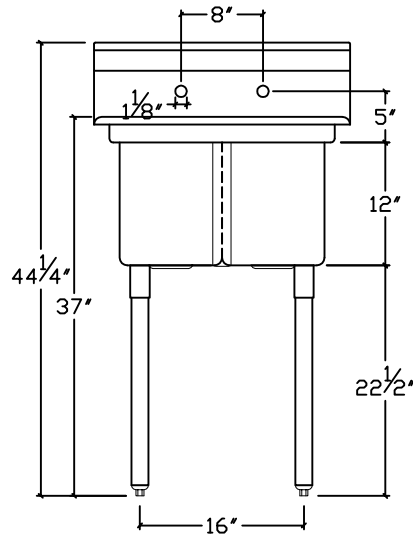
S1C1620-0





CLOSED HEM  
(TO INSIDE OF SINK)

SECTION A-A

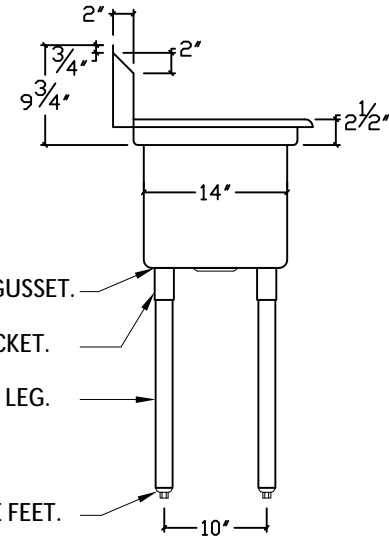


GENERAL NOTES

- \* TOP - 16 GA. 304 S/S #3 POL.
- \* LEGS - 16 GA. 1-5/8 DIA. S/S. TUBING.
- \* FEET - S/S ADJUSTABLE FEET.
- \* ALL SEAMS WELDED & POLISHED
- \* NO BURRS OR SHARP EDGES
- \* MEETS NSF STD. 2

FEATURES

- \* 9 3/4" BACK SPLASH.
- \* 3 1/2" DRAIN BASKET INCLUDED.



16 GA. S/S GUSSET.

S/S SOCKET.

16GA. S/S. LEG.

S/S ADJUSTABLE FEET.

**KRATOS**



Approved by

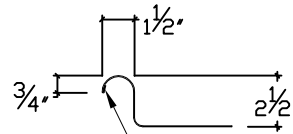
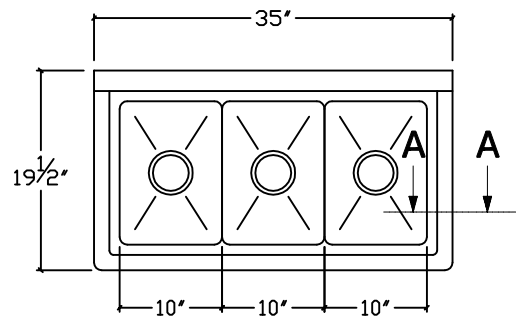
Part#

29N-050

Date

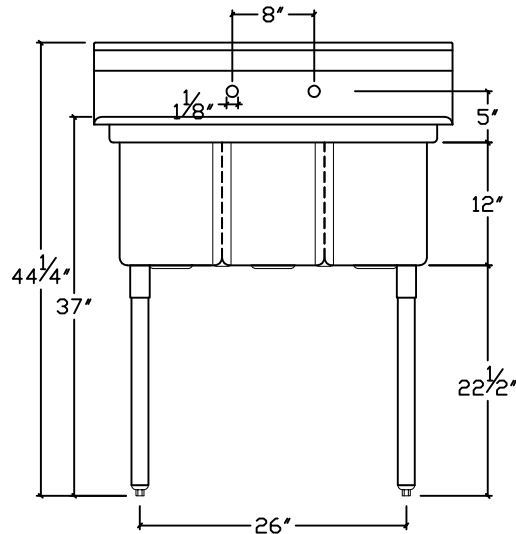
Model#

S2C1014-0



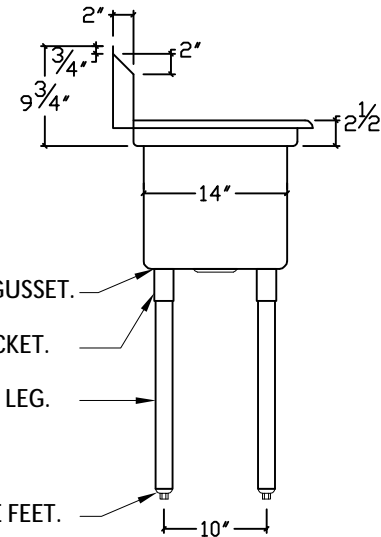
CLOSED HEM  
(TO INSIDE OF SINK)

SECTION A-A



GENERAL NOTES

- \* TOP - 16 GA. 304 S/S #3 POL.
  - \* LEGS -16 GA. 1-5/8 DIA. S/S. TUBING.
  - \* FEET - S/S ADJUSTABLE FEET.
  - \* ALL SEAMS WELDED & POLISHED
  - \* NO BURRS OR SHARP EDGES
  - \* MEETS NSF STD. 2
- FEATURES
- \* 9 3/4" BACK SPLASH.
  - \* 3 1/2" DRAIN BASKET INCLUDED.



**KRATOS**



Approved by

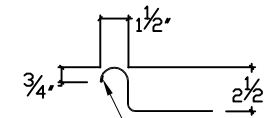
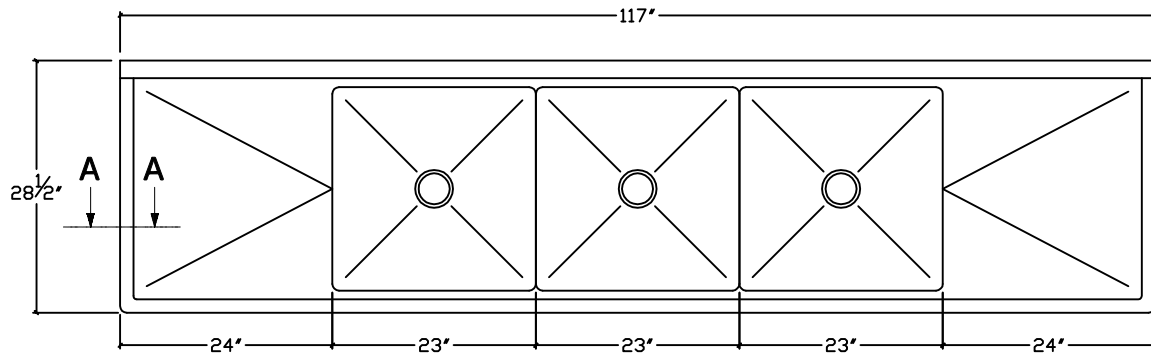
Part#

29N-053

Date

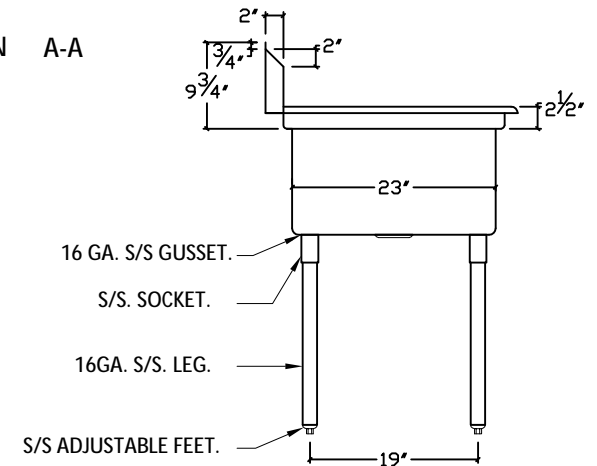
Model#

S3C1014-0



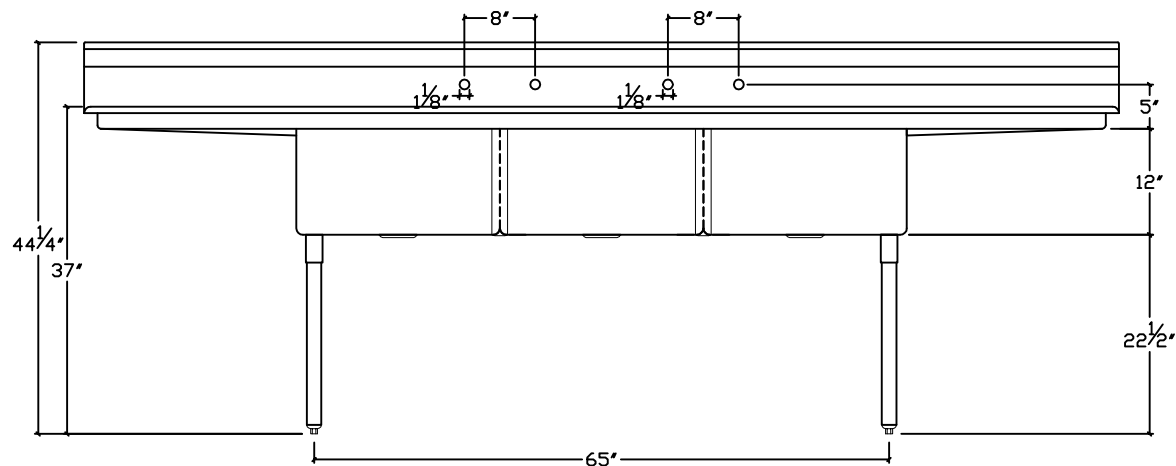
CLOSED HEM  
(TO INSIDE OF SINK)

SECTION A-A



GENERAL NOTES

- \* TOP - 16 GA. 304 S/S #3 POL.
  - \* LEGS -16 GA. 1-5/8 DIA. S/S. TUBING.
  - \* FEET - S/S ADJUSTABLE FEET.
  - \* ALL SEAMS WELDED & POLISHED.
  - \* NO BURRS OR SHARP EDGES.
  - \* MEETS NSF STD. 2
- FEATURES
- \* 9 3/4" BACK SPLASH.
  - \* 3 1/2" DRAIN BASKET INCLUDED.



**KRATOS**



Approved by

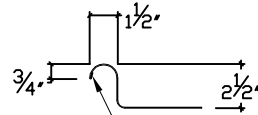
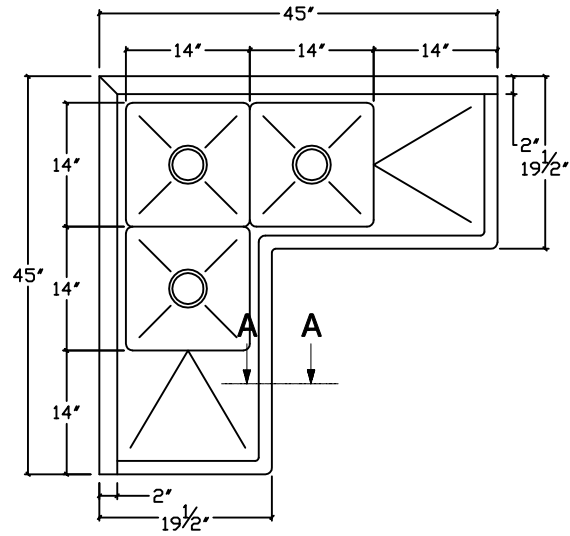
Date

Part#

29N-059

Model#

S3C2323-24RL

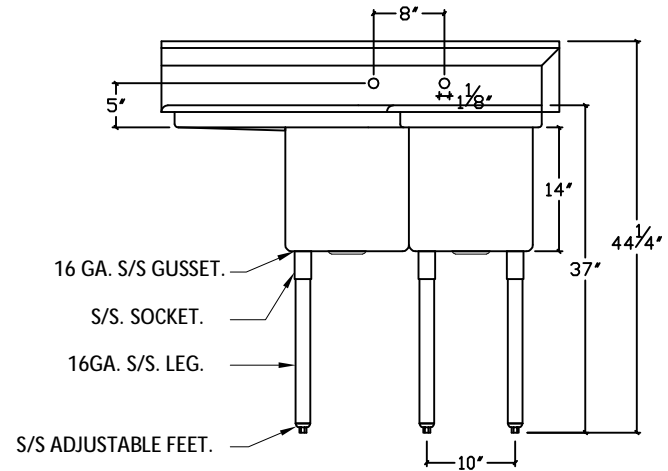
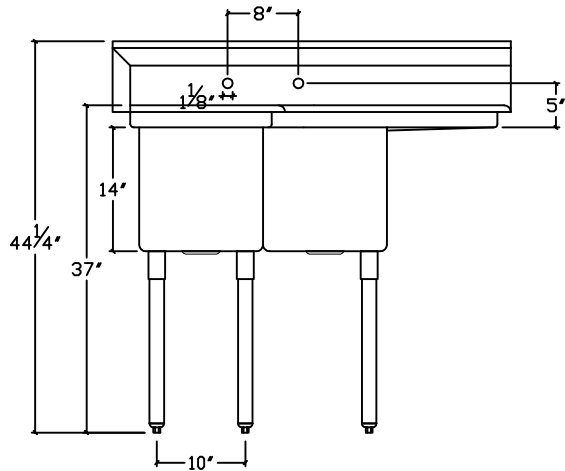


CLOSED HEM  
(TO INSIDE OF SINK)

SECTION A-A

GENERAL NOTES

- \* TOP - 16 GA. 304 S/S #3 POL.
  - \* LEGS -16 GA. 1-5/8 DIA. S/S. TUBING.
  - \* FEET - S/S ADJUSTABLE FEET.
  - \* ALL SEAMS WELDED & POLISHED
  - \* NO BURRS OR SHARP EDGES
  - \* MEETS NSF STD. 2
- FEATURES
- \* 9 3/4" BACK SPLASH.
  - \* 3 1/2" DRAIN BASKET INCLUDED.



**KRATOS**



Approved by

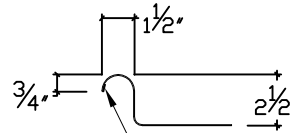
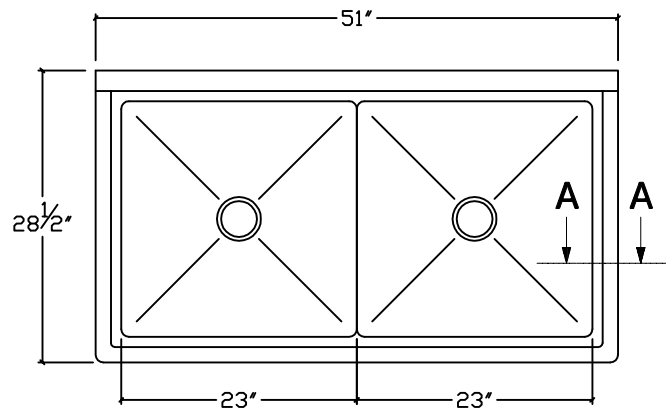
Part#

29N-060

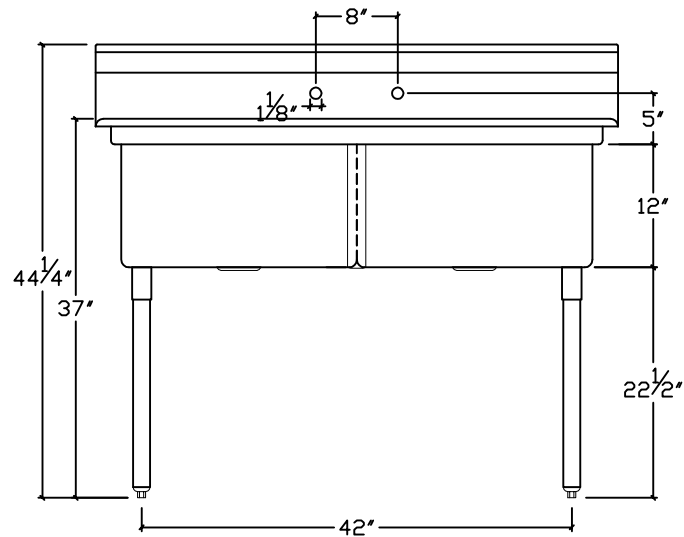
Date

Model#

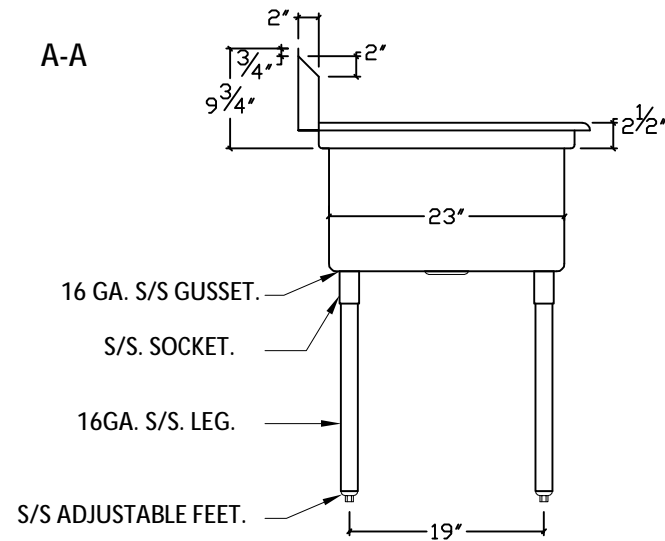
S3C1414C-14LR



CLOSED HEM  
(TO INSIDE OF SINK)



SECTION A-A



GENERAL NOTES

- \* TOP - 18 GA. 304 S/S #3 POL.
  - \* LEGS - 16 GA. 1-5/8 DIA. S/S. TUBING.
  - \* FEET - S/S ADJUSTABLE FEET.
  - \* ALL SEAMS WELDED & POLISHED.
  - \* NO BURRS OR SHARP EDGES.
  - \* MEETS NSF STD. 2
- FEATURES
- \* 9 3/4" BACK SPLASH.
  - \* 3 1/2" DRAIN BASKET INCLUDED.

**KRATOS**



Approved by

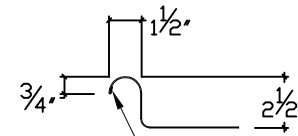
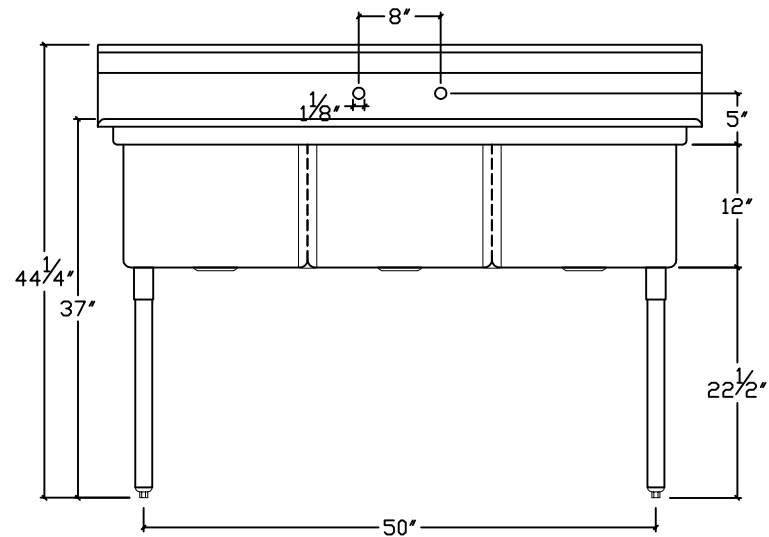
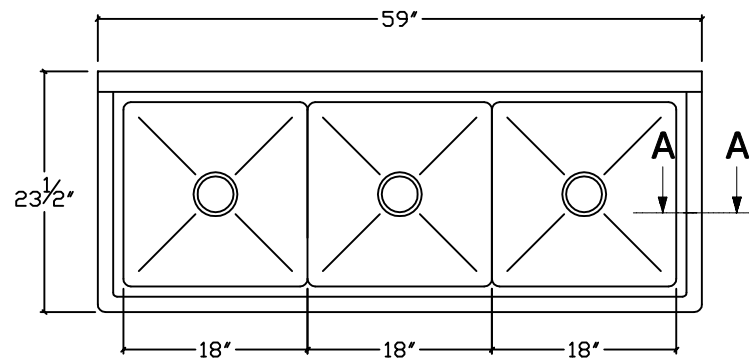
Part#

29N-051

Date

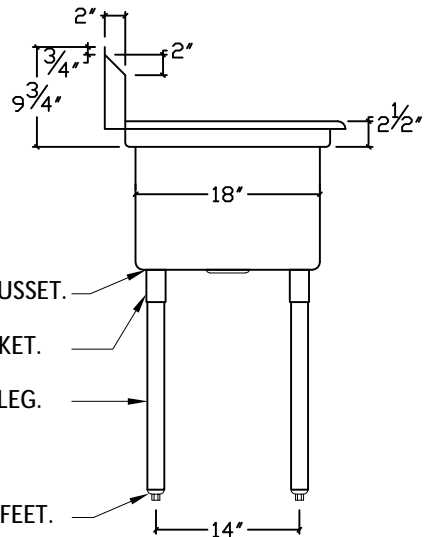
Model#

S2C2323-0



CLOSED HEM  
(TO INSIDE OF SINK)

SECTION A-A



GENERAL NOTES

- \* TOP - 16 GA. 304 S/S #3 POL.
  - \* LEGS - 16 GA. 1-5/8 DIA. S/S. TUBING.
  - \* FEET - S/S ADJUSTABLE FEET.
  - \* ALL SEAMS WELDED & POLISHED
  - \* NO BURRS OR SHARP EDGES
  - \* MEETS NSF STD. 2
- FEATURES
- \* 9 3/4" BACK SPLASH.
  - \* 3 1/2" DRAIN BASKET INCLUDED.

**KRATOS**



Approved by

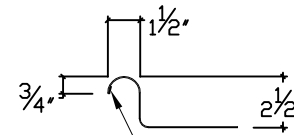
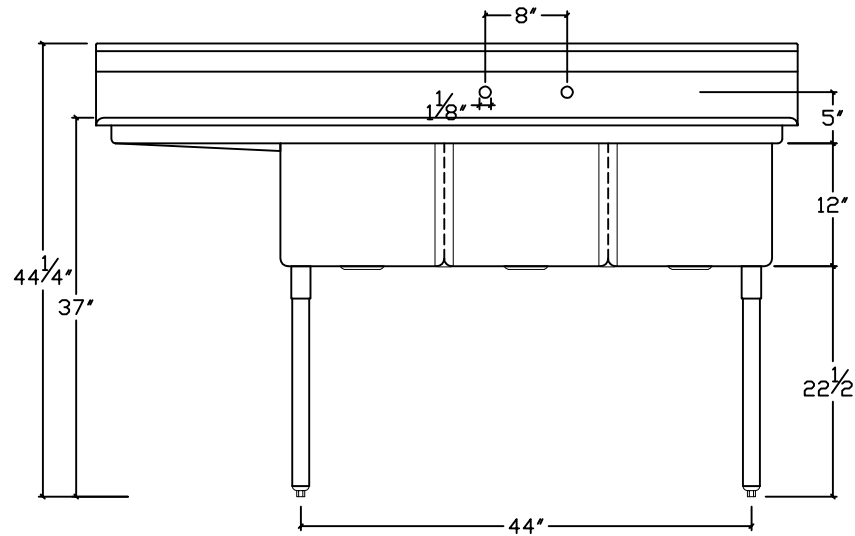
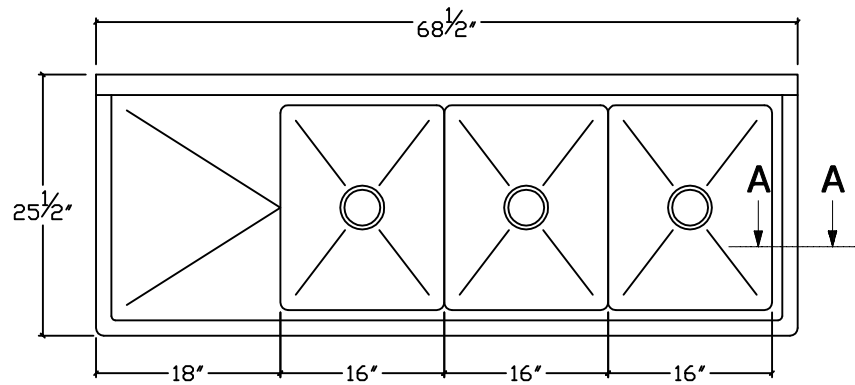
Part#

29N-052

Date

Model#

S3C1818-0

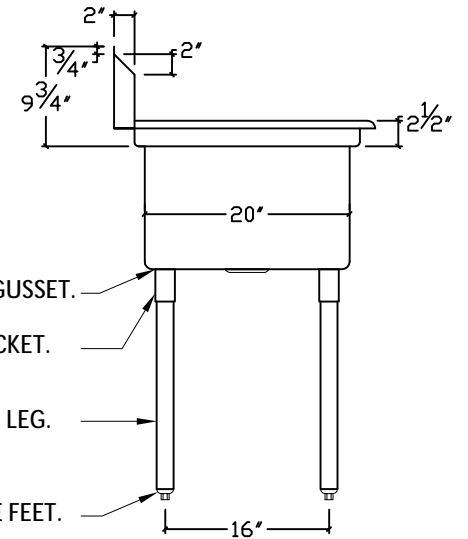


CLOSED HEM  
(TO INSIDE OF SINK)

SECTION A-A

GENERAL NOTES

- \* TOP - 18 GA. 304 S/S #3 POL.
  - \* LEGS - 16 GA. 1-5/8 DIA. S/S. TUBING.
  - \* FEET - S/S ADJUSTABLE FEET.
  - \* ALL SEAMS WELDED & POLISHED
  - \* NO BURRS OR SHARP EDGES
  - \* MEETS NSF STD. 2
- FEATURES
- \* 9 3/4" BACK SPLASH.
  - \* 3 1/2" DRAIN BASKET INCLUDED.



**KRATOS**



Approved by

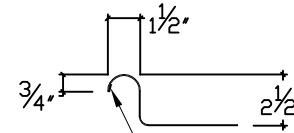
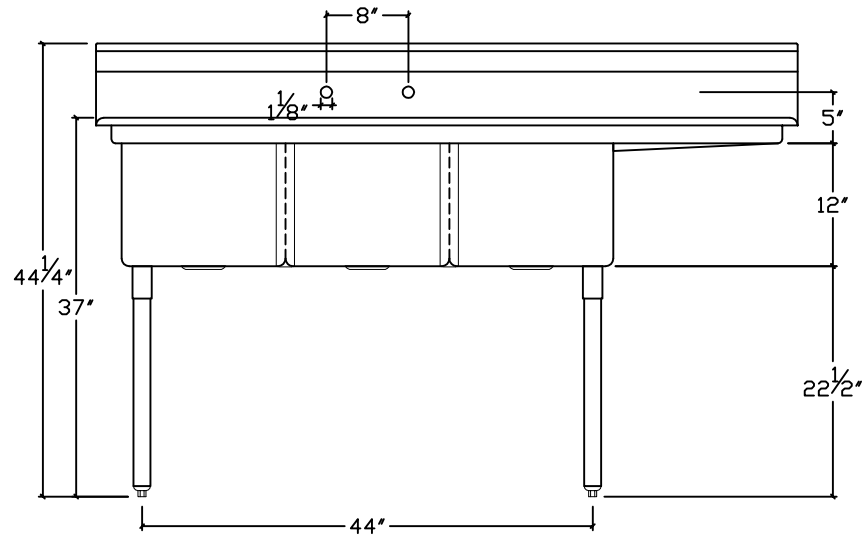
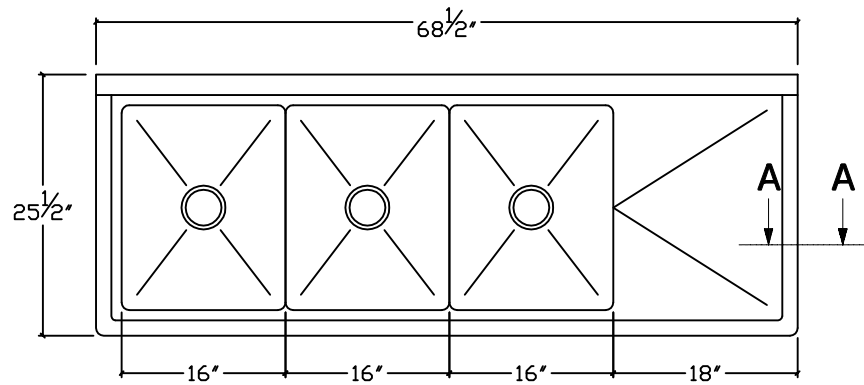
Part#

29N-055

Date

Model#

S3C1620-18L



CLOSED HEM  
(TO INSIDE OF SINK)

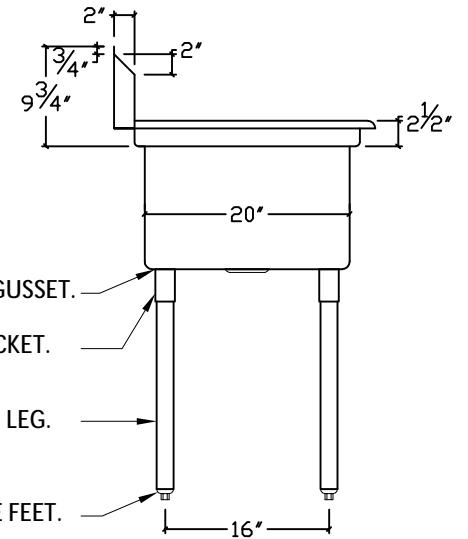
SECTION A-A

GENERAL NOTES

- \* TOP - 18 GA. 304 S/S #3 POL.
- \* LEGS - 16 GA. 1-5/8 DIA. S/S TUBING.
- \* FEET - S/S ADJUSTABLE FEET.
- \* ALL SEAMS WELDED & POLISHED
- \* NO BURRS OR SHARP EDGES
- \* MEETS NSF STD. 2

FEATURES

- \* 9 3/4" BACK SPLASH.
- \* 3 1/2" DRAIN BASKET INCLUDED.



**KRATOS**



Approved by

Part#

29N-056

Date

Model#

S3C1620-18R