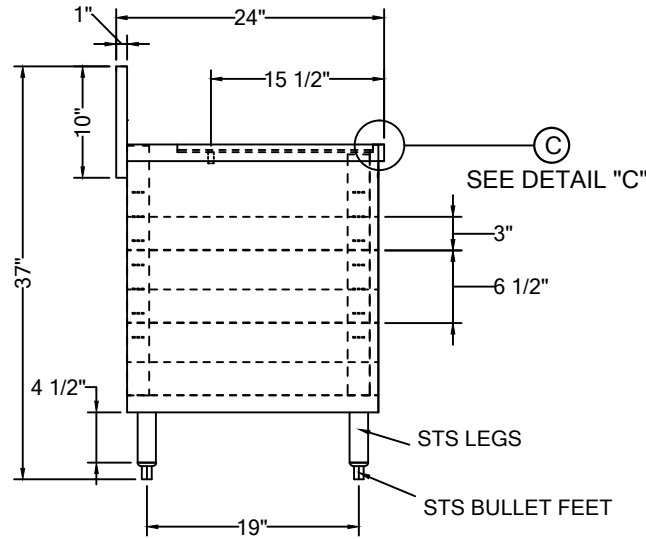
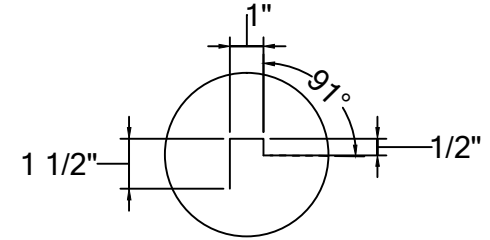


FRONT ELEVATION

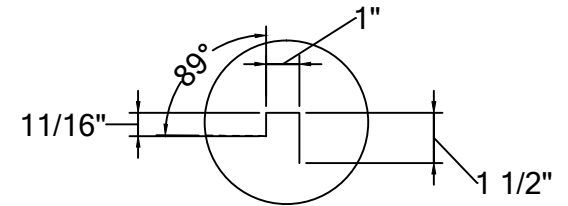


PLAN VIEW

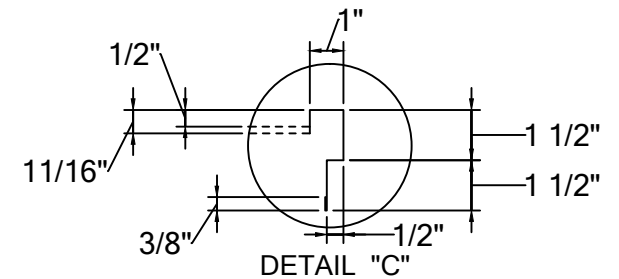
- 18 GA. 304 STAINLESS STEEL CONSTRUCTION.
- STS LEGS WITH ADJUSTABLE STS BULLET FEET.



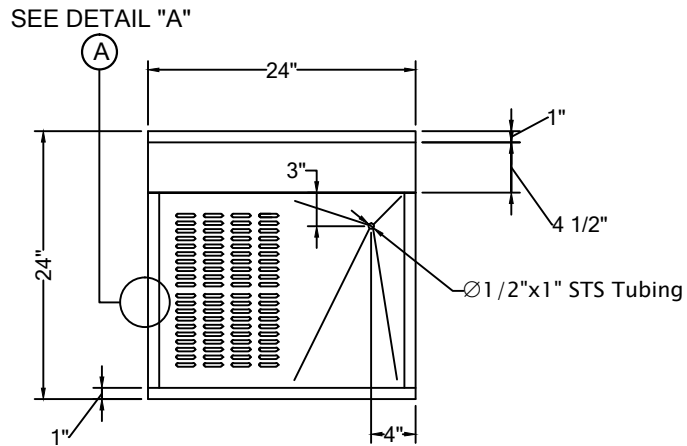
DETAIL "A"



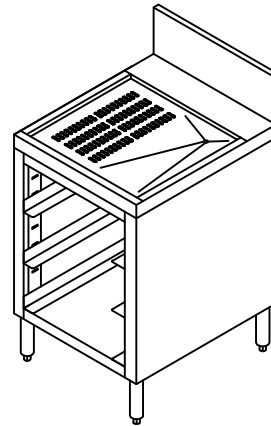
DETAIL "B"



DETAIL "C"



PLAN VIEW



ISOMETRIC

DRAWIN FOR :	MAT.	TOP : 18GA. 304S/S	DATE	REVISIONS
REF. NO :	REQ'D/ITEM :	BASE :	Jun / 26 / 2017	L-Clip adjustable
ITEM NAME : Bar Glass Rack	DATE : Jan/ 25 / 2018		Aug / 07 / 2017	Change hole location of top
PROD. NO. : TA-BGR2424DB	BY :		Aug / 11 / 2017	Change hole size and deck mount size
SCALE: 1/2" =1'-0"	CHECKED BY :		Jan / 25 / 2018	Open back,return sides 3" on back,U/S no hole and no crease

Tarrison
Products Ltd.