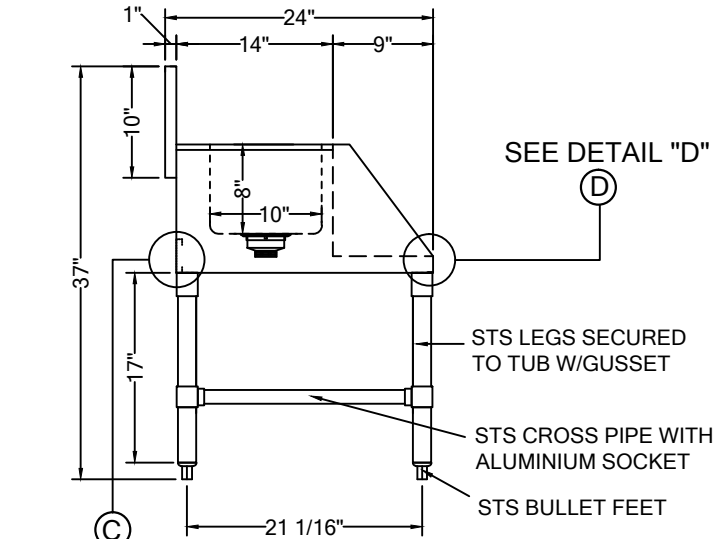
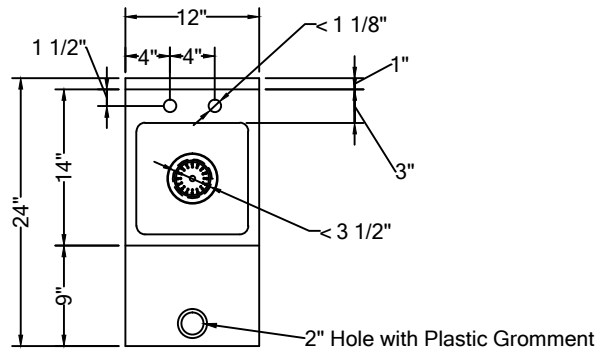


FRONT ELEVATION

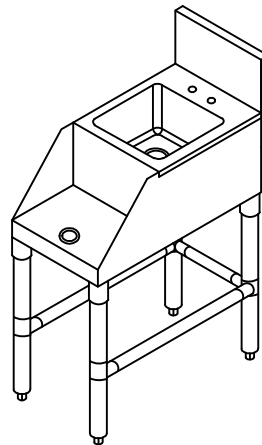


SEE DETAIL "C"

PLAN VIEW

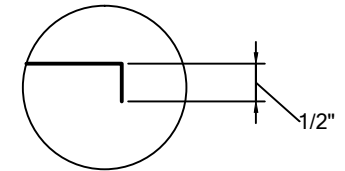


PLAN VIEW

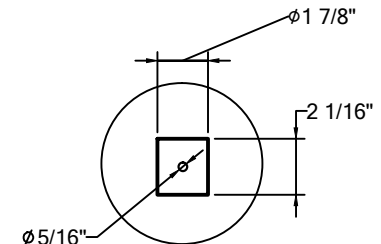


ISOMETRIC

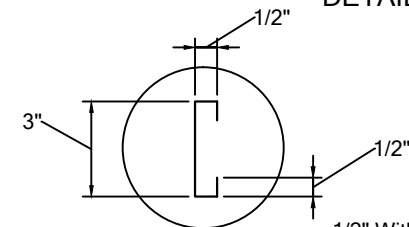
- 18 GA. 304 STAINLESS STEEL CONSTRUCTION.
- STS LEGS WITH ADJUSTABLE STS BULLET FEET.
- DECK MOUNT FAUCET HOLES ON 4" O.C.
- DRAIN BASKET INCLUDED.



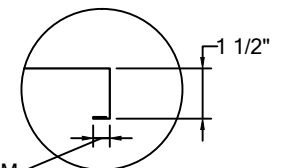
DETAIL "A"



DETAIL "B"



DETAIL "C"



DETAIL "D"

DRAWIN FOR :	MAT.	TOP : 18GA. 304S/S	DATE	REVISIONS
REF. NO :	REQ'D/ITEM :	BASE :	Aug / 07 / 2017	Change grommet hole size and location, Change side splash
ITEM NAME : Blender Station	DATE : Dec / 29 / 2017			
PROD. NO. : TA-BBS2412HS	BY :			
SCALE: 1/2" = 1'-0"	CHECKED BY :			

Tarrison  
Products Ltd.