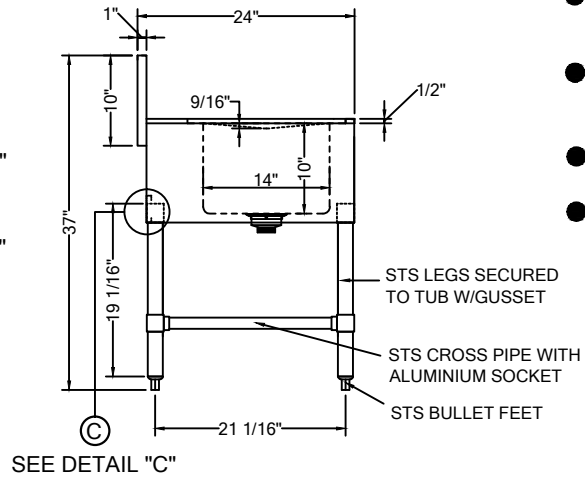
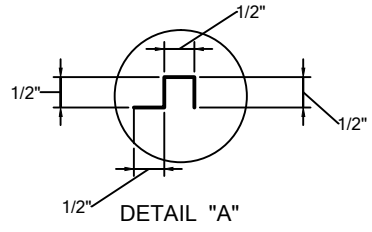


FRONT ELEVATION

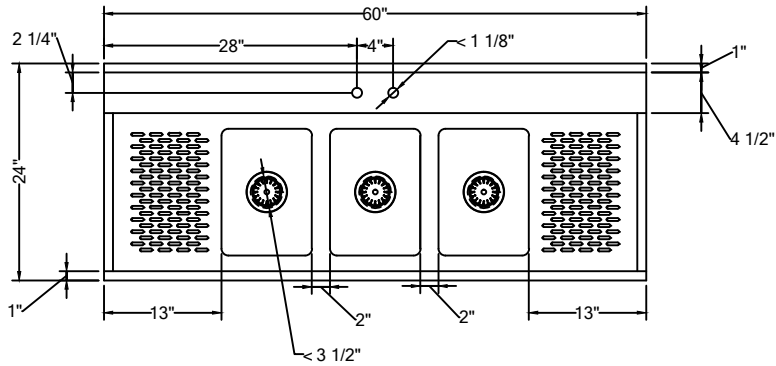


PLAN VIEW

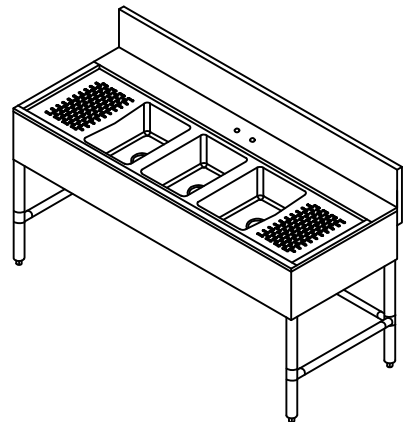
- 18 GA. 304 STAINLESS STEEL CONSTRUCTION.
- STS LEGS WITH ADJUSTABLE STS BULLET FEET.
- DECK MOUNT FAUCET HOLES ON 4" O.C.
- DRAIN BASKET INCLUDED.



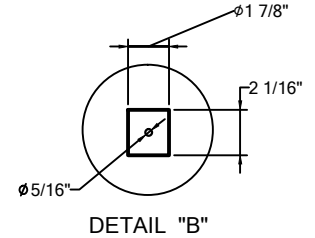
DETAIL "A"



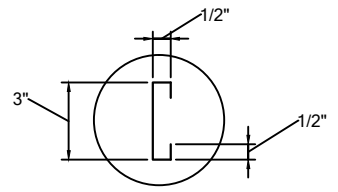
PLAN VIEW



ISOMETRIC



DETAIL "B"



DETAIL "C"

| | | | | |
|--------------------------|-------------------------|------|-----------|-------------------------------------|
| DRAWIN FOR : | MAT. TOP : 18GA. 304S/S | DATE | REVISIONS | <h1>Tarrison Products Ltd.</h1> |
| REF. NO : | BASE : | | | |
| ITEM NAME : Bar Sink | REQ'D/ITEM : | | | |
| PROD. NO. : TA-BS32460LR | DATE : Dec / 29 / 2017 | | | |
| SCALE: 1/2" =1'-0" | BY : | | | |
| | CHECKED BY : | | | |