



Over 90 Years Of Quality Foodservice  
Products And Service

Job \_\_\_\_\_ Item No. \_\_\_\_\_

## HT Series Bain Marie Style Warmers Standard and Large Capacity Single-Opening, Two to Five Well-Sized, Heavy Duty, Top-Mount, Rectangular Drop-Ins



Model HT-200AF



Model HT-300

### DESCRIPTION

Wells HT Series Bain Marie Style, heavy-duty, top-mount, drop-in food warmers are designed to hold heated foods at safe and fresh serving temperatures. These single-opening, large-capacity heated tanks provide consistent temperatures and can accommodate a variety of round or rectangular inset pans. Wells Bain Marie warmers are economical and are available with standard or extra-large openings, with or without auto fill. Drains are standard. Designed for wet operation only.

### SPECIFICATIONS

**Construction** – One-piece stainless steel top flange and heavy-gauge, deep-drawn stainless steel warming pans are standard features on all models. Wellsloks™ are standard for quick and easy installation.

**Insulation** – Sides, front, back and bottom are fully insulated for energy savings, efficiency, quicker pre-heat and faster recovery.

**Controls & Heating**- Positive-off thermostats control the element allowing for adjustable and consistent temperatures. A temperature- ready single light indicates that the heating element is energized. Control is recessed in a one-piece, drawn, stainless steel panel for ease of use and to help prevent accidental adjustments. Powerful tubular heating elements are located under the warming pan for quick and efficient heating and for even heat distribution.

#### Additional Features Available

- Auto Water-Fill to maintain proper water level.
- Select Models are field convertible from 1Ø to 3Ø
- Extra-Large 27" deep tanks to accommodate addition insets

### STANDARD FEATURES

- Accommodates a variety of round or rectangular insets or equivalent fractional pans
- One-piece stainless steel top flange and heavy-gauge, deep-drawn stainless steel warming pans
- Designed for wet operation
- Energy-saving fully-insulated construction
- Fully insulated models are perfect for non-metal counters
- Positive-off thermostat controls
- Controls are recessed in a one-piece, drawn, front-mounted panel
- High limits prevent overheating
- Wellslok™ standard for ease of installation
- Powerful tubular heating elements
- ½" drains standard
- Cords & Plugs available
- 2-Year limited parts & 1-Year limited labor warranty

### OPTIONS & ACCESSORIES

- Adaptor tops for round insets
- Insets with lid
- 72" control panel wiring
- Drain value extension kit
- Drain screens
- Wellslok extension kits for wood counter installations

### CERTIFICATIONS



Sheet No. WELLHT2-11/12



Wells Bloomfield • 10 Sunnen Dr. St. Louis, MO 63143 U.S.A.

Phone : (314) 678-6314 • Fax (314) 781-3636

www.wellsbloomfield.com © 2012 Wells Bloomfield • Printed in the U.S.A.

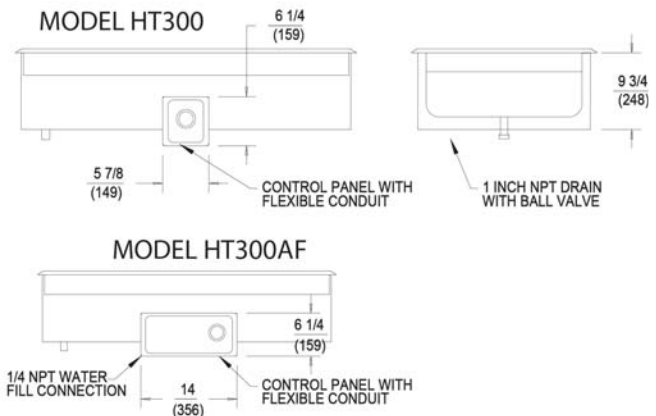
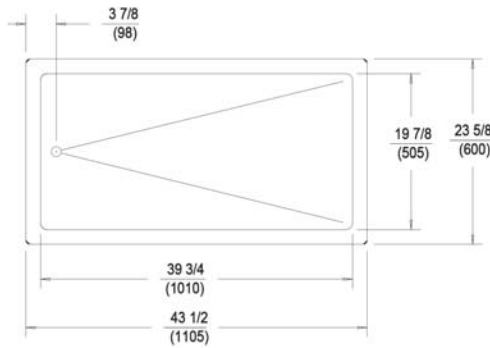
**NOTE: Specifications are subject to change without notice and are not intended for installation purposes. See installation instructions prior to installing the unit.**



Over 90 Years Of Quality Foodservice Products And Service

# HT Series Bain Marie Style Warmers Standard and Large Capacity Single-Opening, Two to Five Well-Sized, Heavy Duty, Top-Mount, Rectangular Drop-Ins

INCHES  
MM



**NOTE:** Specifications are subject to change without notice and are not intended for installation purposes. See installation instructions prior to installing the unit.

## SPECIFICATIONS

Model Number	Description & Opening Size	Volts & AMPS @ 240V	Watts	Phase	Standard Power Cord Supply	OVERALL Width Inches (MM)	OVERALL Length Inches (MM)	OVERALL Height Inches (MM)	CONTROL PANEL Width Inches (MM)	CONTROL PANEL Height Inches (MM)	Shipping Weights Pounds (KG)	Crate Size Cubic Feet (Cubic Meters)	Approvals
<b>Standard Pan Size Openings</b>													
HT200	Double 12 x 20 Pan- Size Opening 25 3/4" x 19 7/8"	208/240V 10.0	1800/2400	1Ø	NONE	29-1/2 (749)	23-5/8 (600)	9-3/4 (248)	5-7/8 (248)	6-1/4 (159)	56 (26)	7.89 (0.233)	UL US
HT300	3- 12x20 Pan-Size Opening 39 3/4" x 19 7/8"	208/240V 15.0	2700/3600	1Ø	NONE	43-1/2 (1105)	23-5/8 (600)	9-3/4 (248)	5-7/8 (248)	6-1/4 (159)	63 (29)	10.54 (0.298)	UL US
HT400*	4- 12x 20 Pan Size Opening 53 3/4" x 19 7/8"	208/240V 20.0	3600/4800	1Ø*	NONE	57-1/2 (1461)	23-5/8 (600)	9-3/4 (248)	14 (356)	6-1/4 (159)	98 (45)	13.56 (0.383)	UL US
HT500*	5- 12x20 Pan Size Opening 67 3/4" x 19 7/8"	208/240V 25.0	4500/6000	1Ø*	NONE	71-1/2 (1816)	23-5/8 (600)	9-3/4 (248)	14 (356)	6-1/4 (159)	115 (52)	16.57 (.469)	UL US
<b>Large Capacity 4/3 Pan Size Opening</b>													
HT227	2- 4/3rd Pan- Size Opening 25 3/4" x 26 7/8"	208/240V 13.8	2480/3300	1Ø	NONE	29-1/2 (749)	30-5/8 (779)	9-3/4 (248)	5-7/8 (248)	6-1/4 (159)	59 (27)	10.15 (0.287)	UL US
HT327	3- 4/3rd Pan- Size Opening 39 3/4" x 26 7/8"	208/240V 20.6	3720/4950	1Ø	NONE	43-1/2 (1105)	30-5/8 (779)	9-3/4 (248)	5-7/8 (248)	6-1/4 (159)	85 (39)	12.45 (0.352)	UL US
HT427*	4- 4/3rd Pan- Size Opening 52 3/4" x 26 7/8"	208/240V 27.5	4960/6600	1Ø*	NONE	57-1/2 (1461)	30-5/8 (779)	9-3/4 (248)	14 (356)	6-1/4 (159)	126 (57)	15.58 (.449)	UL US
HT527*	5- 4/3rd Pan- Size Opening 67 3/4" x 26 7/8"	208/240V 34.4	6200/8250	1Ø*	NONE	71-1/2 (1816)	30-5/8 (779)	9-3/4 (248)	14 (356)	6-1/4 (159)	148 (67)	19.15 (.542)	UL US
<b>Standard &amp; Large Capacity, 4/3 Pan Size Openings with Auto Fill</b>													
HT200AF	Double 12 x 20 Pan- Size Opening 25 3/4" x 19 7/8" With AutoFill	208/240V 10.0	1800/2400	1Ø	NONE	29-1/2 (749)	23-5/8 (600)	9-3/4 (248)	14 (356)	6-1/4 (159)	57 (26)	7.89 (.223)	UL US
HT227AF	2- 4/3rd Pan- Size Opening 25 3/4" x 26 7/8" with Auto Fill	208/240V 13.8	2480/3300	1Ø	NONE	29-1/2 (749)	30-5/8 (779)	9-3/4 (248)	14 (356)	6-1/4 (159)	65 (30)	10.15 (.287)	UL US
HT300AF	3- 12x20 Pan-Size Opening 39 3/4" x 19 7/8" with Auto Fill	208/240V 15.0	2700/3600	1Ø	NONE	43-1/2 (1105)	23-5/8 (600)	9-3/4 (248)	14 (356)	6-1/4 (159)	77 (35)	10.54 (.298)	UL US
HT327AF	3- 4/3rd Pan- Size Opening 39 3/4" x 26 7/8" with Auto Fill	208/240V 20.6	3720/4950	1Ø	NONE	43-1/2 (1105)	30-5/8 (779)	9-3/4 (248)	14 (356)	6-1/4 (159)	96 (44)	15.85 (.449)	UL US
HT400AF*	4- 12x 20 Pan Size Opening 53 3/4" x 19 7/8" with Auto Fill	208/240V 20.0	3600/4800	1Ø*	NONE	57-1/2 (1461)	23-5/8 (600)	9-3/4 (248)	18 (457)	6-1/4 (159)	98 (45)	13.56 (.384)	UL US
HT427AF*	4- 4/3rd Pan- Size Opening 52 3/4" x 26 7/8" with Auto Fill	208/240V 27.5	4960/6600	1Ø*	NONE	57-1/2 (1461)	30-5/8 (779)	9-3/4 (248)	18 (457)	6-1/4 (159)	112 (51)	19.15 (.542)	UL US
HT500AF*	5- 12x20 Pan Size Opening 67 3/4" x 19 7/8" with Auto Fill	208/240V 25	4500 / 6000	1Ø*	NONE	71-1/2 (1816)	23-5/8 (600)	9-3/4 (248)	18 (457)	6-1/4 (159)	117 (53)	16.57 (.469)	UL US
HT527AF*	5- 4/3rd Pan- Size Opening 67 3/4" x 26 7/8" with Auto Fill	208/240V 34.4	6200 / 8250	1Ø*	NONE	71-1/2 (1816)	30-5/8 (779)	9-3/4 (248)	18 (457)	6-1/4 (159)	136 (62)	37.3 (1.056)	UL US

\* Select models are field convertible from 3Ø to 1Ø

**AutoFill models require a water connection. Please refer to the operator's manual and installation instructions for details.**

Due to periodic changes in designs, methods, procedures, policies and regulations, the specifications contained in this sheet are subject to change without notice. While Wells exercises good faith efforts to provide information that is accurate, we are not responsible for errors or omissions in information provided or conclusions reached as a result of using the specifications. By using the information provided, the user assumes all risks in connection with such use.



Wells Bloomfield • 10 Sunnen Dr. St. Louis, MO 63143 U.S.A. • Phone : (314) 678-6314  
Fax (314) 781-3636 • www.wellsbloomfield.com © 2012 Wells Bloomfield • Printed in the U.S.A.

**NOTE: Specifications are subject to change without notice and are not intended for installation purposes. See installation instructions prior to installing the unit.**