



Marine Series

Job \_\_\_\_\_ Item No. \_\_\_\_\_

## Lang® Marine Electric Drop-In Griddles

□136TDIG □148TDIG □172TDIG



Model 136TDIG

### DESCRIPTION

Lang electric Marine drop-In griddles are available in 36", 48" or 72" width options. Accurate temperature control between 175° and 450°F with 1" thick polished cooking surface.

### SPECIFICATIONS

Griddle shall be a LANG Manufacturing Marine Model 1\_\_ [Specify width: 36", 48" or 72"]TDIG, with: thermostat controls for each 12" of griddle width; 6-kW per foot of Incoloy sheathed heating elements, pressure clamped to plate bottom; 1" thick polished cooking surface; flanged flush-mount griddle surface module and recessed control panel module for easy installation in countertop.

### WARRANTY

These units come with a one [1] year warranty for parts and labor.

### FEATURES

- One [1] inch (25 mm) thick griddle surface
- 6 kW of power per twelve [12] inch section of griddle
- Full parameter stainless steel top mounting flange
- Full front 3-1/2" wide x 1" deep stainless steel grease trough
- 8 quart capacity grease drawer, with marine latch & fully enclosed, easily removable sleeve [Two on 72" model]
- Snap-action temperature controls between 175 and 450°F
- Fully enclosed stainless steel control module, recessed to protect knobs
- Meets Military Type 3 specifications

### CERTIFICATIONS

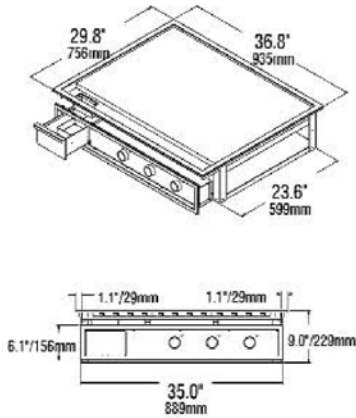




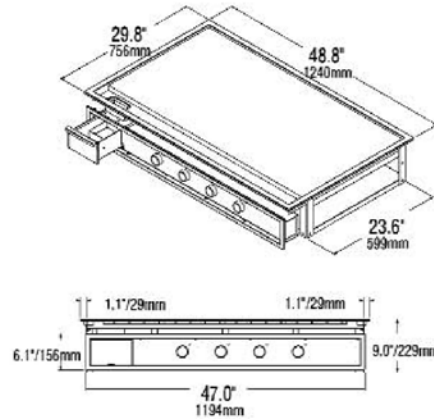
Marine Series

# Lang® Marine Electric Drop-In Griddles

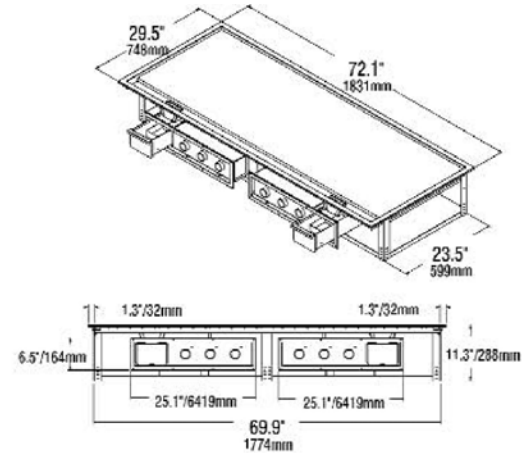
□136TDIG □148TDIG □172TDIG



[3D & FrontView136TDIG]



[3D & FrontView148TDIG]



[3D & FrontView172TDIG]

**INSTALLATION REQUIREMENTS:** 1. Ⓜ 440V or 480V, 3-phase power connection 2. Ⓜ Two electric connections required for 72" unit 3. Installation in approved cabinet or galley work center. [Provided by others] 4. See above for rough openings required for griddle and control panel module 5. Consult marine codes for installation requirements.

**CLEARANCES:** Sides: 2", Back: 2"

MODEL	TOP-ROUGH OPENING		CONTROLS-OPENING		VOLTS 50/60Hz	TOTAL kW	AMPS 3Ø	AMPS 1Ø	APPROX. WEIGHT SHIPPING	APPROX. WEIGHT INSTALLED
	WIDTH in. (mm)	DEPTH in. (mm)	HEIGHT in. (mm)	WIDTH in. (mm)						
136TDIG	36.8 (935)	29.8 (756)	6.1 (156)	35.0 (889)	208V 240V 440V 480V	18.0	86.5 75.0 N/A N/A	50.0 43.3 23.6 21.7	345lb. (186kg)	295lb. (120kg)
148TDIG	48.8 (1,240)	29.8 (756)	6.1 (156)	47.0 (1,194)			115.2 100.0 N/A N/A	75.0 65.0 36.8 32.5	450lb. (239kg)	400lb. (167kg)
172TDIG	72.1 (1,831)	29.5 (748)	6.5 <sup>1</sup> (164)	25.2 <sup>1</sup> (641)			50.0/50.0 43.3/43.3 23.6/23.6 21.7/21.7	86.5/86.5 75.0/75.0 N/A N/A	700lb. (318kg)	650lb. (295kg)

<sup>1</sup> Two openings required in the Controls-Opening table for the 172TDIG model. <sup>2</sup> Two connections.

Due to periodic changes in designs, methods, procedures, policies and regulations, the specifications contained in this sheet are subject to change without notice. While Lang Manufacturing exercises good faith efforts to provide information that is accurate, we are not responsible for errors or omissions in information provided or conclusions reached as a result of using the specifications. By using the information provided, the user assumes all risks in connection with such use.



**LANG MANUFACTURING** • www.langworld.com  
10 Sunnen Drive • Saint Louis, Missouri 63143  
Telephone 314 678 6315 • Fax 314 781 3636

Printed in the U.S.A. • 2M-Z2xxxx • Rev - • 72017  
Please refer to the owner's manual for information regarding installation or use.